

↔ DOMETIC

CLIMATE CONTROL

FJX



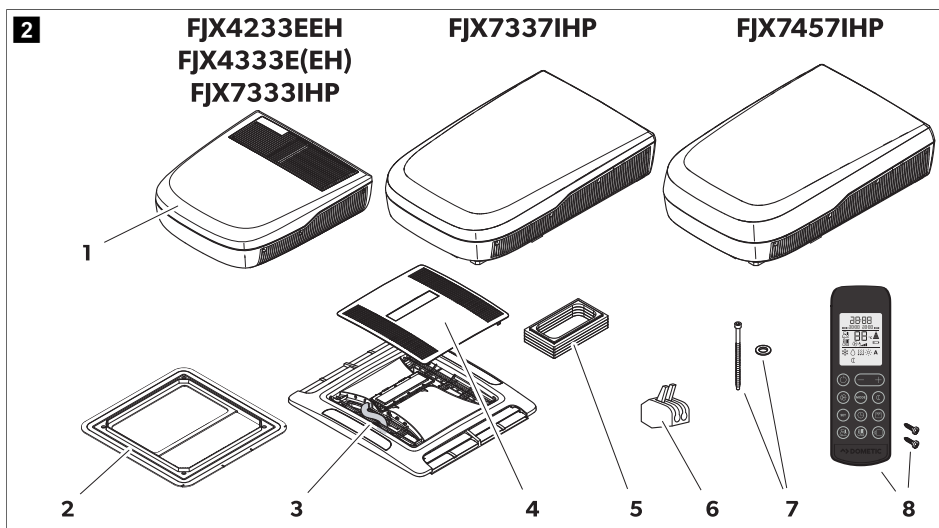
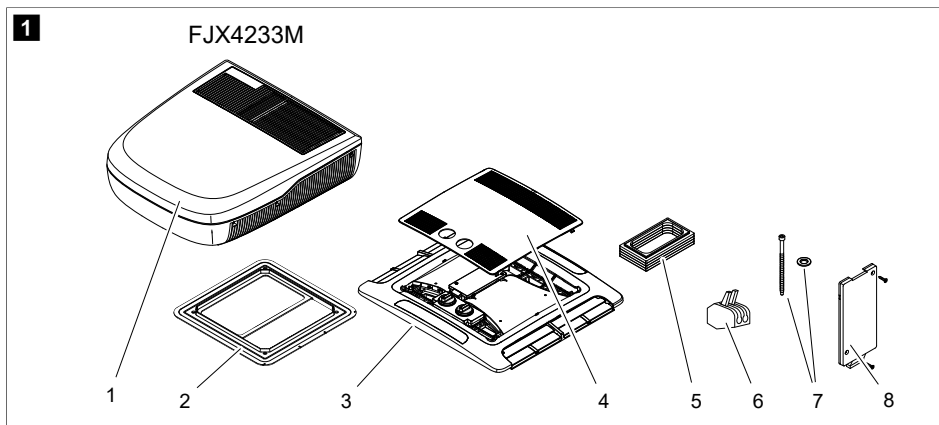
Dometic FreshJet FJX

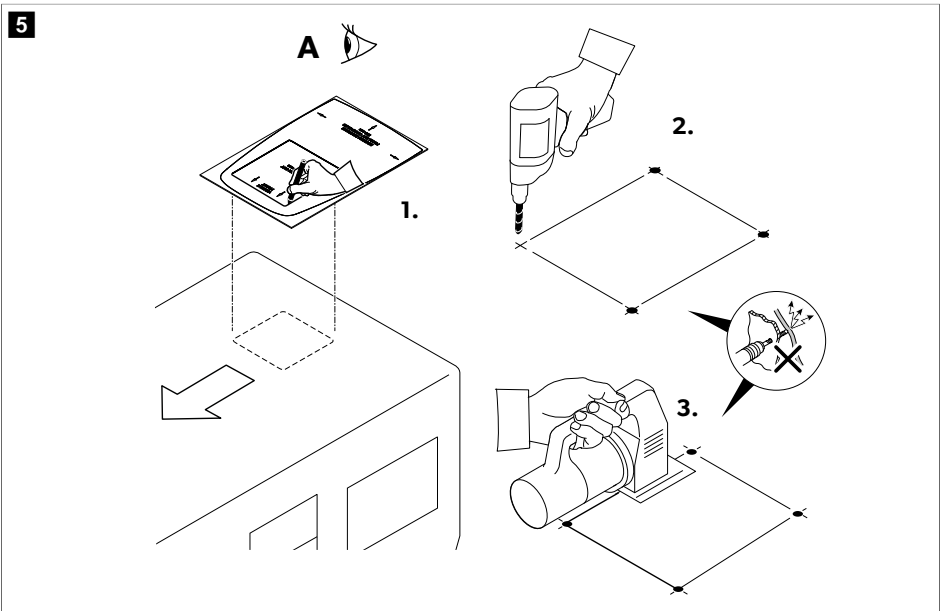
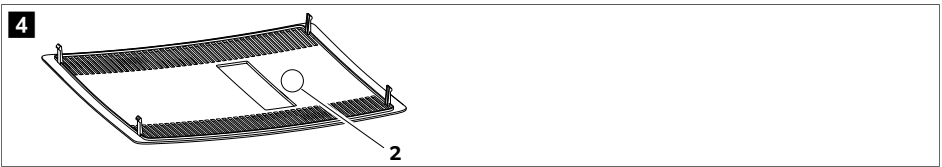
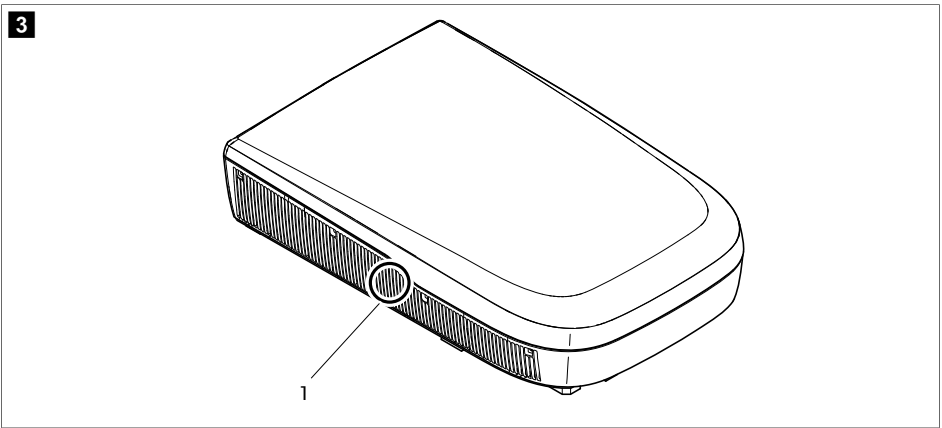
EN	Roof Air Conditioner Installation manual.....	15	SK	Strešná klimatizácia Návod na montáž.....	166
DE	Dachklimaanlage Montageanleitung.....	27	CS	Střešní klimatizace Návod k montáži.....	178
FR	Climatiseur de toit Instructions de montage.....	40	HU	Tetőklíma-berendezés Szerezési útmutató.....	190
ES	Equipo de aire acondicionado de techo Instrucciones de montaje.....	53	HR	Krovni klima-uređaj Upute za montažu.....	202
PT	Sistema de ar condicionado de tejadilho Instruções de montagem.....	66	TR	Tavan Kliması Montaj Kılavuzu.....	214
IT	Climatizzatore a tetto Indicazioni di montaggio.....	79	SL	Strešna klimatska naprava Navodilo za montažo.....	226
NL	Dakairconditioning Montagehandleiding.....	92	RO	Aer condiționat de plafon Instrucțiuni de montaj.....	238
DA	Tagklimaenlæg Monteringsvejledning.....	105	BG	Покривна климатична инсталация Инструкция за монтаж.....	251
SV	Takmonterad klimatanläggning Monteringsanvisning.....	117	ET	Katusekliimaseade Paigaldusjuhend.....	264
NO	Takklimaenlegg Monteringsanvisning.....	129	EL	Κλιματιστικό οροφής Οδηγίες τοποθέτησης.....	276
FI	Kattoilmastointilaite Asennusohje.....	141	LT	Stogo oro kondicionierius Montavimo vadovas.....	290
PL	Klimatyzator dachowy Instrukcja montażu.....	153	LV	Jumta gaisa kondicionētājs Uzstādīšanas rokasgrāmata.....	302

Copyright

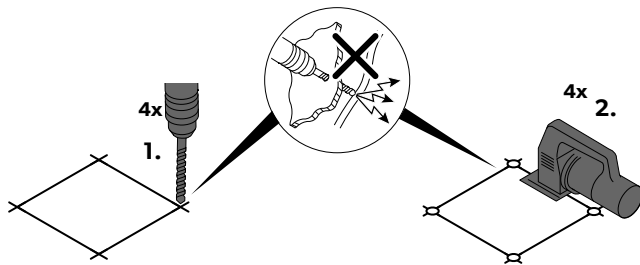
© 2024 Dometic Group. The visual appearance of the contents of this manual is protected by copyright and design law. The underlying technical design and the products contained herein may be protected by design, patent or pending patent. The trademarks mentioned in this manual belong to Dometic Sweden AB. All rights are reserved.

List of Figures

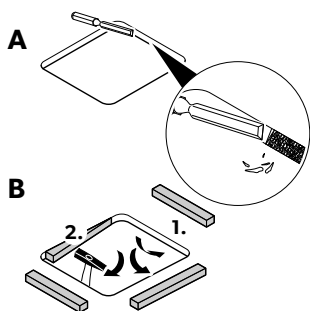




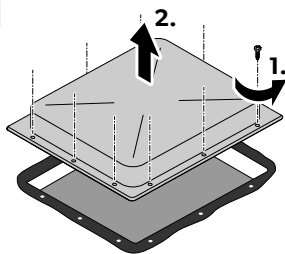
6



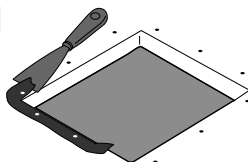
7



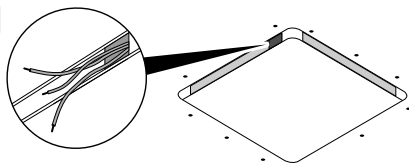
8



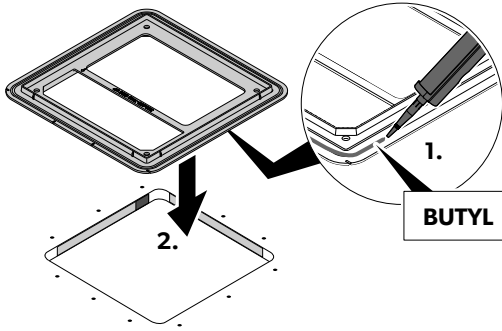
9



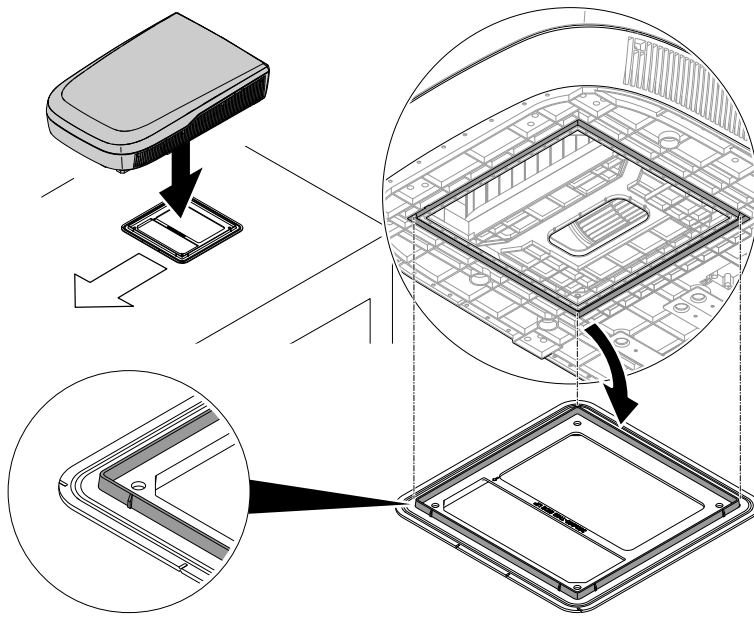
10



11

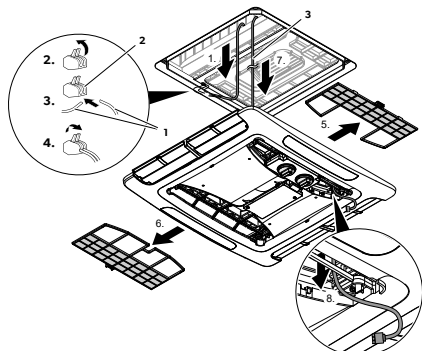


12

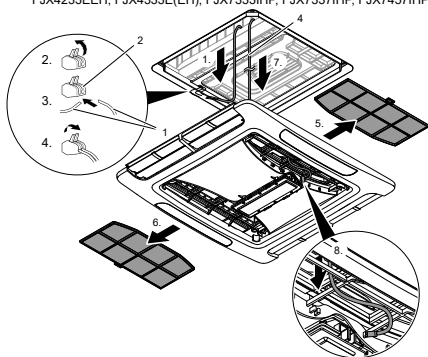


13

FJX4233M

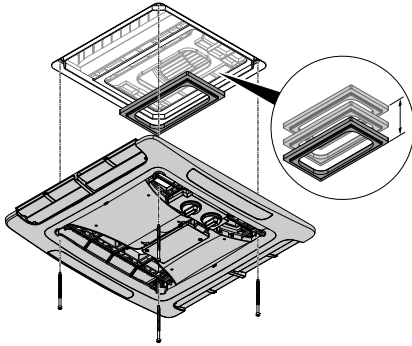


FJX4233EEH, FJX4333E(EH), FJX7333IHP, FJX7337IHP, FJX7457IHP

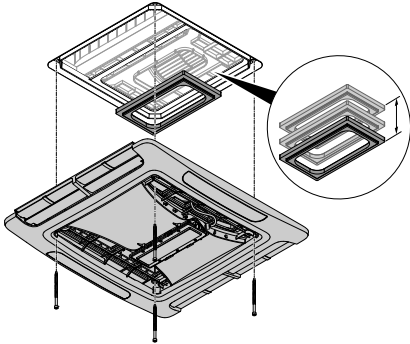


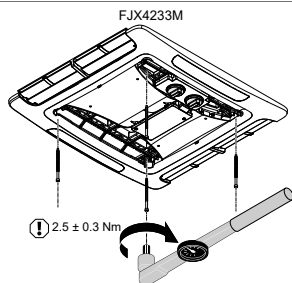
14

FJX4233M

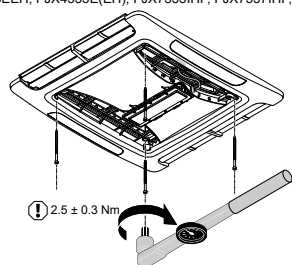
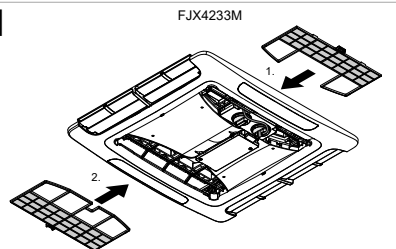


FJX4233EEH, FJX4333E(EH), FJX7333IHP, FJX7337IHP, FJX7457IHP

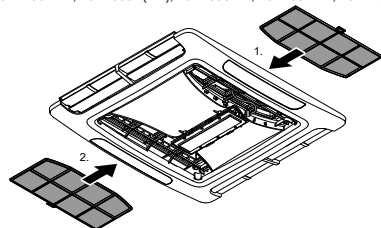


15

FJX4233EEH, FJX4333E(EH), FJX7333IHP, FJX7337IHP, FJX7457IHP

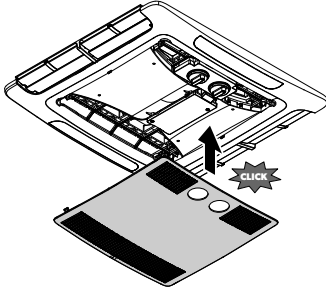
**16**

FJX4233EEH, FJX4333E(EH), FJX7333IHP, FJX7337IHP, FJX7457IHP

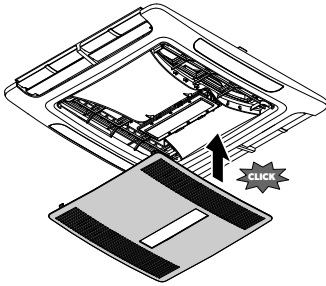


17

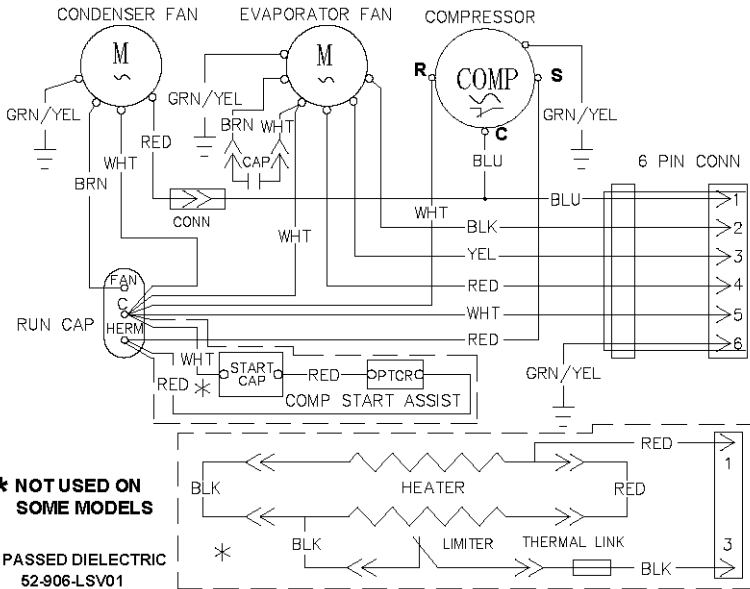
FJX4233M



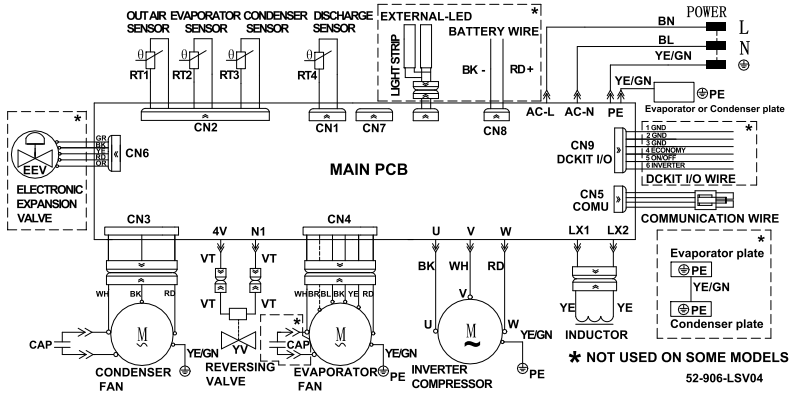
FJX4233EEH, FJX4333E(EH), FJX7333IHP, FJX7337IHP, FJX7457IHP



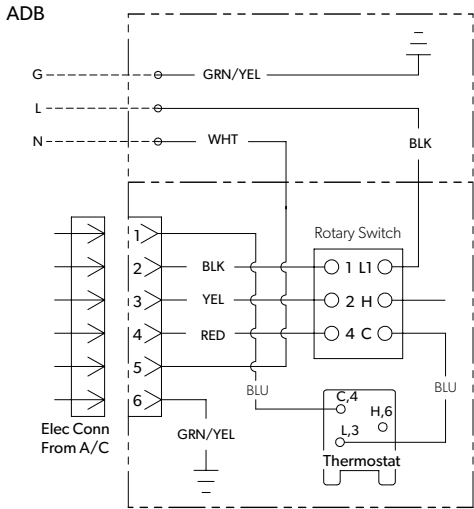
18



21

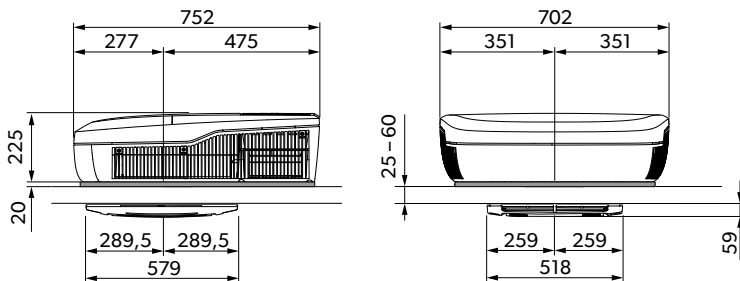


22



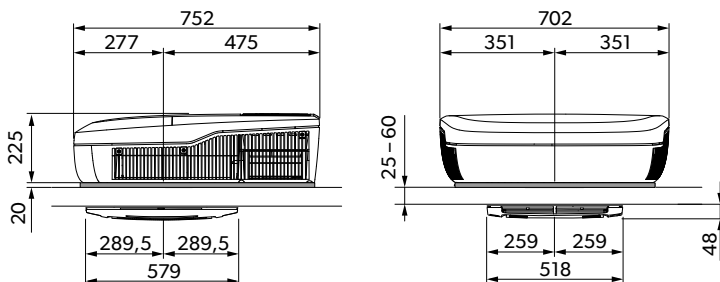
23

FreshJet FJX4233M



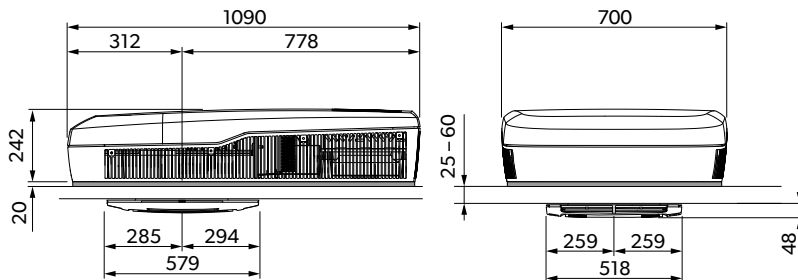
24

FJX4233EEH, FJX4333E(EH), FJX7333IHP



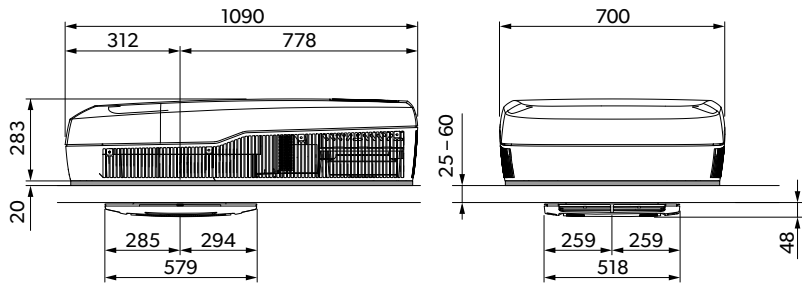
25

FreshJet FJX7337IHP



26

FreshJet FJX7457IHP



English

1	Important notes.....	15
2	Explanation of symbols.....	15
3	Target groups.....	16
4	Safety instructions.....	16
5	Scope of delivery.....	17
6	Accessories.....	18
7	Intended use.....	18
8	List of models.....	18
9	Explanations of symbols on the appliance.....	19
10	Technical limits and conditions.....	19
11	Installation.....	20
12	Wiring diagrams.....	23
13	Disposal.....	24
14	Technical data.....	24

1 Important notes

Please read these instructions carefully and follow all instructions, guidelines, and warnings included in this product manual in order to ensure that you install, use, and maintain the product properly at all times. These instructions **MUST** stay with this product.

By using the product, you hereby confirm that you have read all instructions, guidelines, and warnings carefully and that you understand and agree to abide by the terms and conditions as set forth herein. You agree to use this product only for the intended purpose and application and in accordance with the instructions, guidelines, and warnings as set forth in this product manual as well as in accordance with all applicable laws and regulations. A failure to read and follow the instructions and warnings set forth herein may result in an injury to yourself and others, damage to your product or damage to other property in the vicinity. This product manual, including the instructions, guidelines, and warnings, and related documentation, may be subject to changes and updates. For up-to-date product information, please visit documents.dometic.com.

2 Explanation of symbols



DANGER!

Indicates a hazardous situation that, if not avoided, will result in death or serious injury.



WARNING!

Indicates a hazardous situation that, if not avoided, could result in death or serious injury.



CAUTION!

Indicates a hazardous situation that, if not avoided, could result in minor or moderate injury.



NOTICE!

Indicates a situation that, if not avoided, can result in property damage.



NOTE Supplementary information for operating the product.

3 Target groups



The electrical power supply must be connected by a qualified electrician who has demonstrated skill and knowledge related to the construction and operation of electrical equipment and installations and has received safety training to identify and avoid the hazards involved.



The mechanical installation must be executed by a qualified person who is familiar with the construction and operation of the equipment and the hazards involved.

4 Safety instructions



WARNING! Failure to obey these warnings could result in death or serious injury.

- Repair of the appliance may only be carried out by qualified personnel who are familiar with the risks involved and the relevant regulations. Inadequate repairs may cause serious hazards. For repair service, contact the service center in your country (see dometic.com/dealer).
- The appliance shall be installed in accordance with national electrical and mechanical installation regulations.
- **Electrical appliances are not toys.** Keep electrical appliances out of reach of children or infirm persons. Do not allow them to use electrical appliances without supervision.
- Persons whose physical, sensory or mental capabilities or whose lack of experience and knowledge prevent them from using the appliance safely should not use it without supervision or instruction by a responsible person.
- Do **not** undo the upper cover of the appliance in the event of a fire. Use approved extinguishing agents. Do not use water to extinguish fires.
- The appliance shall be stored in a room without continuously operating open flames (for example an operating gas appliance) and ignition sources (for example an operating electric heater).
- The appliance shall be stored horizontally at a dry, ventilated and covered location.
- Do not pierce or burn the appliance.
- Be aware that refrigerants may not contain an odor.
- The roof air conditioner shall be installed in a vehicle with a floor area larger than 4 m².



CAUTION! Failure to obey these cautions could result in minor or moderate injury.

- Only operate the appliance if you are certain that the housing and the cables are not damaged.
- Do not use the appliance near flammable fluids or in closed rooms.
- Ensure that no combustible objects are stored or installed near the air outlet. A distance of at least 50 cm must be kept.
- Do not reach into air outlets or insert any foreign objects in the appliance.
- Always wear protective goggles and gloves.



NOTICE! Damage hazard

- The appliance functions optimally at 1020 mbar.
- The appliance shall be stored so as to prevent mechanical damage from occurring.
- Before installation, check whether any vehicle components could be damaged by the installation of the appliance (such as lamps, cupboards, doors). The vehicle manufacturer may have already provided points where the opening for the installation of the appliance can be made without any risk of weakening the construction or cutting power cables.
- Before installation, consult the vehicle manufacturer whether the construction is designed for the static weight and the loads of the roof air conditioner when the vehicle is in motion.
- Ensure the roof frame is sealed appropriately to the roof.
- Select a flat and sufficiently level area at the center of the vehicle roof between two longitudinal sections for installation.
- The roof inclination of the installation surface may not exceed 10 °.
- Ensure that there are no objects within the vehicle which could obstruct the attachment of the air distribution box or the cooled air from flowing through the swivelling air distribution nozzles.
- Do not make any alterations or conversions to the appliance.
- Never drive through automatic car washes when the appliance is mounted.
- If faults occur in the refrigerant circuit, the system must be checked by a specialist company and repaired properly.
- The refrigerant must not be released into the air.
- Ask the vehicle manufacturer if the height entered in your vehicle documents needs to be altered due to the installation of the roof air conditioner.

5 Scope of delivery

 Fig. 1 on page 3  Fig. 2 on page 3

No. in Fig. 1, Fig. 2	Quantity	Description
1	1	Roof top unit

Mandatory accessory

The air conditioner consists of the roof top unit and the air distribution box. The air distribution box is **not** included in the scope of delivery of the roof top unit and must be ordered separately.

The following items are included in the scope of the air distribution box:

No. in Fig. 1, Fig. 2	Quantity	Description
2	1	Roof frame
3	1	Air distribution box (ADB)
4	1	ADB center cover
5	4	Duct section
6	4	Connection cable
7	4	Fastening bolt

No. in Fig. 1, Fig. 2	Quantity	Description
8	1	Only some models: Remote control FJX4233M only: Box cover

6 Accessories

Available as accessories (not included in the scope of delivery):

Description	Ref. no.
Extension duct kit (includes 4 duct sections)	4450035514
Bolt kit M6 x 160 mm (for 60 ... 100 mm roof thicknesses)	4450035513
Air purifier	9620006648
Electrical heater	9620006649
ADB ambient light	9620006650
Filters for FreshJet FJX4233M	4450024007 4450024008
Filters for FreshJet FJX4233EEH/FJX4333E(EH)/FJX7333IHP/FJX7337IHP/FJX7457IHP	4450025683

7 Intended use

The roof air conditioner is only designed for installation on the roof of a caravan or recreational vehicle to provide cooling and heating.

The roof air conditioner is **not** suitable for trains, houses, and apartments. The roof air conditioner is **not** suitable for installation in construction machines, agricultural machines, or similar equipment.

This product is only suitable for the intended purpose and application in accordance with these instructions.

This manual provides information that is necessary for proper installation and/or operation of the product. Poor installation and/or improper operating or maintenance will result in unsatisfactory performance and a possible failure.

The manufacturer accepts no liability for any injury or damage to the product resulting from:

- Incorrect installation, assembly or connection, including excess voltage
- Incorrect maintenance or use of spare parts other than original spare parts provided by the manufacturer
- Alterations to the product without express permission from the manufacturer
- Use for purposes other than those described in this manual

Dometic reserves the right to change product appearance and product specifications.

8 List of models

The models are differentiated between mechanical, fixed-speed and inverter models.

The following table shows which function applies to a specific model:

● Feature is available

○ Feature is upgradable

	FJX4233M	FJX4233EEH	FJX4333EEH	FJX4333E	FJX7333IHP	FJX7337IHP	FJX7457IHP
	Mechanical	Fixed-speed			Inverter		
Automatic		●	●	●	●	●	●
Cooling	●	●	●	●	●	●	●
Heating		●	●	○	●	●	●
Ventilation	●	●	●	●	●	●	●
Dehumidification		●	●	●	●	●	●
Air purifier	○	●	●	○	●	●	●
ADB light		●	●	○	●	●	●
External light					●	●	●
Timer		●	●	●	●	●	●
Sleep		●	●	●	●	●	●
Soft start			●	○	●	●	●

9 Explanations of symbols on the appliance



A2L

Warning! Low burning velocity material.



Read operating manual.



Read service manual.

10 Technical limits and conditions

The roof air conditioner is intended for vehicles with roofs with a thickness of 25 mm ... 60 mm. The roof top air conditioner will operate ambient temperatures between -2 °C ... 52 °C. The roof air conditioner is designed to be installed within ± 10 ° of the horizontal plane.

11 Installation



DANGER! Electrocutation hazard

- The electrical power supply in the RV must be connected by a qualified electrician who has demonstrated skill and knowledge related to the construction and operation of electrical equipment and installations and has received safety training to identify and avoid the hazards involved.
- Disconnect all power supplies including inverters when working on the roof air conditioner.
- Ensure that the appliance power supply cannot be reconnected during installation or maintenance.



WARNING! Electrocutation hazard

- The appliance shall be installed in accordance with national wiring regulations.
- The following must be incorporated in the fixed wiring in accordance with the wiring rules: An all-pole disconnection device which has at least 3 mm clearances in all poles; when having a leakage current that may exceed 10 mA a residual current device (RCD) having a rated residual operating current not exceeding 30 mA; a disconnection.
- If the appliance replaces a window or hatch with a safety relevant forced venting function, an additional safety venting device (e.g. a mushroom fan or similar) needs to be added. In doubt consult the vehicle manufacturer.
- After the installation of the roof air conditioner, an exhaust chimney in proximity to the roof air conditioner has to rise at least 10 cm above it. If necessary, prolong the exhaust chimney. Observe the instructions of the heating manufacturer.



CAUTION! Beware of injury

- Improper installation of the roof air conditioner can result in irreparable damage to the appliance and put the safety of the user at risk.
- Always have someone to help you when carrying or lifting the roof air conditioner.
- Before installation, check the location of existing wiring harnesses, wires, and other components within the installation area, in particular those which are not visible when installing the appliance (when drilling or screwing etc.).
- Attach and lay the cables so that they cannot be tripped over or damaged.
- Always wear the protective goggles and gloves.



NOTICE! Damage hazard

- The appliance is a sealed system with a closed refrigerant circuit. Do not open or manipulate, unless you are an appropriately qualified technician.
- Use cable ducts to lay cables through walls with sharp edges.
- Do not lay loose or bent cables next to electrically conductive materials (metal).
- Do not pull on the cables.
- Check that cabling will not be subject to wear, corrosion, excessive pressure, vibration, sharp edges or any other adverse environmental effects. The check shall also take into account the effects of aging or continual vibration from sources such as compressors or fans.
- Observe the structural strength of the roof of the vehicle. The roof of the vehicle must be able to bear the weight of the roof air conditioner without being indented or deformed. In doubt consult the vehicle manufacturer.

**NOTE**

- You find the appliance's specifications in the Technical data and on the following data plates:
- Roof top unit data plate Fig. 3
- ADB data plate Fig. 4



Find more information on roof air conditioners in the operating manual, such as the technical description or the controls, see gr.dometic.com/bdjiN0x.



Fig. 3 on page 4 Fig. 4 on page 4

- Choose your way of installing the roof air conditioner:
 - Make a new opening. In this case the opening must be reinforced by an appropriate frame.
 - Use an existing opening in the vehicle such as a roof hatch or replacing an old roof air conditioner.
 - Ensure that you keep the following clearances:

Model	Object height < 60 mm	Object height > 60 mm			
	All 4 sides	Right	Left *	Rear *	Front
FJX4333EEH	50 mm	150 mm	150 mm	150 mm	150 mm
FJX7333IHP	50 mm	150 mm	150 mm	150 mm	150 mm
FJX7337IHP	50 mm	300 mm	150 mm	150 mm	150 mm
FJX7457IHP	50 mm	300 mm	150 mm	150 mm	150 mm

* In this context "left" and "rear" means that you are looking at the unit from the front of the vehicle.

Making a new opening

- Select an area at the center on the roof between two longitudinal supports.
- Mark the position and size of the opening (400 × 400 mm).

Fig. 5 on page 4

- Drill out the corners (A).

**NOTICE! Damage hazard**

Ensure that no electrical power cables are damaged. Check where the electrical cables are located.

Fig. 6 on page 5

- Carefully cut out the opening on the roof using a keyhole saw or a similar tool (B).
- Check whether the roof hole needs reinforcing.
- If needed, remove the foam according to the width of your reinforcing rails (not in scope of delivery) (A).

Fig. 7 on page 5

- Fit the reinforcing rails (B).

Installing in an existing opening

9. Remove all screws and fixtures of the existing roof hatch or air conditioner.

 **Fig. 8** on page 5

10. Take out the roof hatch or roof air conditioner.
11. Remove the sealant around the opening using a scraper or similar tool.

 **Fig. 9** on page 5

Laying the connecting cables

12. Check that the voltage specification on the roof air conditioner data plate is the same as that of the power supply. The roof air conditioner must be connected to an electric circuit which is able to supply the required current (Technical data).
13. Ensure that the power supply has a residual current circuit breaker (< 30 mA). If missing, install the residual current circuit breaker.
14. Install an all-pole switch with a contact opening width of at least 3 mm on the installation side.
15. Select the cross-section of the power supply cable corresponding to the length:
- Length < 7,5 m: 1.5 mm²
 - Length > 7,5 m: 2.5 mm²
16. Make an opening on one side in order to feed through the power supply cable.

 **Fig. 10** on page 5

17. Feed the power supply cable through the opening into the vehicle interior.

Installing the roof top unit

18. Seal around the under side of the roof frame with flexible non-hardening butyl sealing compound (e.g. SikaLas-tomer-710, Selleys Butyl Mastic, Bostik ezycaulk butyl sealant, or similar products). Observe the sealant manufacturer's instructions.

 **Fig. 11** on page 6

19. Orientate the roof frame based on opening size.
20. Fit the roof frame into the roof opening.

 **Fig. 12** on page 6

21. Lift the roof top unit onto the roof of the vehicle. Observe the direction of travel.
22. Position the roof top unit into the roof frame and align into the roof frame's groove. To align into the roof frame's groove use the corners at the front of the roof frame.

Electrical connection

23. Connect the power supply cable.

 **Fig. 13** on page 7

- a) Connect the cables (1) to a cable connector (2).
b) Connect the roof air conditioner with the power supply.
c) Connect the grounding cable to the vehicle's grounding system.
24. **Only mechanical models:** Connect the cable between the external unit and the air box diffuser.
- a) Pull out the filter slightly to create a gap for the communication cable (3).
b) Feed the cable through the gap and locate the wire in the opening.
c) Connect the communication 6-pin plug into the socket on the side of the display in the ADB. Ensure that the cable is located into the small opening away from the filter area.

- d) Secure excess cable into the holders.
25. **Only fixed-speed and inverter models:** Connect the communication cable.
- Pull out the filter slightly to create a gap for the communication cable (3).
 - Feed the communication cable through the gap and locate the wire in the opening.
 - Connect the communication 4-pin plug into the socket on the side of the display in the ADB. Ensure that the cable is located into the small opening away from the filter area.
 - Secure excess cable into the holders.

Installing the ADB




26. Stack the duct sections and place against the roof thickness: Ensure that the duct height matches the roof height or use the table as guide.

 **Fig. 14 on page 8**

Roof thickness	Number of duct sections
25 ... 35 mm	1
35 ... 45 mm	2
45 ... 55 mm	3
55 ... 60 mm	4



NOTE Additional duct sections can be purchased for thicker roofs.

27. Attach the required number of duct sections on the ADB.
28. Fasten the ADB to the ceiling through the roof top unit with the 4 bolts supplied. Tighten the screws using a torque spanner and a fastening torque of $2.5 \text{ Nm} \pm 0.3 \text{ Nm}$.
-  **Fig. 15 on page 9**
29. Push the filter back fully in.
-  **Fig. 16 on page 9**
30. Clip the center cover to the ADB.
-  **Fig. 17 on page 10**
31. Ask the vehicle manufacturer if a technical inspection is required after fitting an roof air conditioner and whether the height entered in the vehicle documents needs to be altered:
- FreshJet FJX4233, FreshJet FJX4333, FreshJet FJX7333: Increased height 225 mm
 - FreshJet FJX7337: Increased height 242 mm
 - FreshJet FJX7457: Increased height 283 mm

✓ The installation is now completed.

Connect to the power supply and test if the roof air conditioner works.

12 Wiring diagrams

FJX4233M

 **Fig. 18 on page 10**

FJX4233E, FJX4333E(EH), FJX7333IHP

 **Fig. 19** on page 11

FJX7333IHP

 **Fig. 20** on page 11

FJX7337IHP, FJX7457IHP

 **Fig. 21** on page 12

ADB

 **Fig. 22** on page 12

13 Disposal



Place the packaging material in the appropriate recycling waste bins, wherever possible. Consult a local recycling center or specialist dealer for details about how to dispose of the product in accordance with the applicable disposal regulations.



Protect the environment! Do not dispose of any batteries with general household waste. Return defective or used batteries to your retailer or dispose of them at collection points.


14 Technical data


 **Fig. 23** on page 13  **Fig. 24** on page 13  **Fig. 25** on page 13  **Fig. 26** on page 14

Contains fluorinated greenhouse gases. Hermetically sealed equipment.


Hereby, Dometic declares that this radio equipment appliance is in compliance with Directive 2014/53/EU. The full text of the EU declaration of conformity is available at the following internet address <http://documents.dometic.com>.

	FreshJet FJX4233M
Cooling capacity based on ISO 5151:	1500 W
AC input voltage:	220 V ... 240 V / 50 Hz
Rated current cooling:	3.1 A
Required fuse:	Min. 4 A, max. 16 A
Operating temperature range:	-2 °C ... 52 °C
Refrigerant:	R410a
Refrigerant quantity:	380 g
CO ₂ equivalent:	0.793 t
Global warming potential (GWP):	2088
Protection class (roof top unit):	IPX4

	FreshJet FJX4233M
Noise level (highest fan setting)	< 70 dB(A)
Frequency	2.4 GHz
Maximum radio frequency power	19.14 dBm
Suggested max. vehicle length (with insulated walls):	≤ 5 m
Dimensions L x W x H:	Fig. 23
Weight:	< 30 kg
Inspection/certification:	

	FreshJet FJX4233EEH	FreshJet FJX4333EEH	FreshJet FJX4333E
Cooling capacity based on ISO 5151:	1700 W	2200 W	2200 W
Heating capacity based on ISO 5151:	800 W	1000 W	-
AC input voltage:	220 V ... 240 V / 50 Hz		
Rated cooling current:	3.4 A	4.6 A	4.6 A
Rated heating current:	3.7 A	4.4 A	-
Required fuse:	Min. 4 A, max. 16 A	Min. 5 A, max. 16 A	Min. 5 A, max. 16 A
Operating temperature range:	-2 °C ... 52 °C		
Refrigerant:	R32		
Refrigerant quantity:	320 g	360 g	360 g
CO ₂ equivalent:	0.216 t	0.243 t	0.243 t
Global warming potential (GWP):	675		
Protection class (roof top unit):	IPX4		
Noise level (highest fan setting)	< 70 dB(A)		
Frequency	2.4 GHz		
Maximum radio frequency power	19.14 dBm		
Suggested max. vehicle length (with insulated walls):	≤ 6 m	≤ 7 m	≤ 7 m
Dimensions L x W x H:	Fig. 24		
Weight:	< 30 kg	< 30 kg	< 30 kg
Inspection/certification:			

EN Dometic FJX

	Freshjet FJX7333IHP	Freshjet FJX7337IHP	Freshjet FJX7457IHP
Cooling capacity based on ISO 5151:	2200 W	3000 W	3500 W
Heating capacity based on ISO 5151:	2000 W	2500 W	3000 W
AC input voltage:	220 V ... 240 V / 50 Hz ... 60 Hz		
Rated cooling current:	< 5.9 A	< 7.3 A	< 7.5 A
Rated heating current:	< 3.7 A	< 5.9 A	< 6.5 A
Required fuse:	Min. 6 A, max. 16 A	Min. 8 A, max. 16 A	Min. 8 A, max. 16 A
Operating temperature range:	-2 °C ... 52 °C		
Refrigerant:	R32		
Refrigerant quantity:	400 g	480 g	650 g
CO ₂ equivalent:	0.270 t	0.324 t	0.439 t
Global warming potential (GWP):	675		
Protection class (roof top unit):	IPX4		
Noise level (highest fan setting)	< 70 dB(A)		
Frequency	2.4 GHz		
Maximum radio frequency power	19.14 dBm		
Suggested max. vehicle length (with insulated walls):	≤ 7 m	≤ 7 m	> 8 m
Dimensions L x W x H:	Fig. 24	Fig. 25	Fig. 26
Weight:	< 30 kg	< 35 kg	< 40 kg
Inspection/certification:			

Deutsch

1	Wichtige Hinweise.....	27
2	Erklärung der Symbole.....	27
3	Zielgruppen.....	28
4	Sicherheitshinweise.....	28
5	Lieferumfang.....	29
6	Zubehör.....	30
7	Bestimmungsgemäßer Gebrauch.....	30
8	Liste der Modelle.....	31
9	Erklärung der Symbole am Gerät.....	31
10	Technische Grenzen und Bedingungen.....	32
11	Installation.....	32
12	Anschlusspläne.....	36
13	Entsorgung.....	36
14	Technische Daten.....	37

1 Wichtige Hinweise

Lesen und befolgen Sie bitte alle Anweisungen, Richtlinien und Warnhinweise in diesem Produkthandbuch sorgfältig, um sicherzustellen, dass Sie das Produkt ordnungsgemäß installieren und stets ordnungsgemäß betreiben und warten. Diese Anleitung MUSS bei dem Produkt verbleiben.

Durch die Verwendung des Produktes bestätigen Sie hiermit, dass Sie alle Anweisungen, Richtlinien und Warnhinweise sorgfältig gelesen haben und dass Sie die hierin dargelegten Bestimmungen verstanden haben und ihnen zustimmen. Sie erklären sich damit einverstanden, dieses Produkt nur für den angegebenen Verwendungszweck und gemäß den Anweisungen, Richtlinien und Warnhinweisen dieses Produkthandbuchs sowie gemäß allen geltenden Gesetzen und Vorschriften zu verwenden. Eine Nichtbeachtung der hierin enthaltenen Anweisungen und Warnhinweise kann zu einer Verletzung Ihrer selbst und anderer Personen, zu Schäden an Ihrem Produkt oder zu Schäden an anderem Eigentum in der Umgebung führen. Dieses Produkthandbuch, einschließlich der Anweisungen, Richtlinien und Warnhinweise, sowie die zugehörige Dokumentation können Änderungen und Aktualisierungen unterliegen. Aktuelle Produktinformationen finden Sie unter documents.dometic.com.

2 Erklärung der Symbole



GEFAHR!

Kennzeichnet eine Gefahrensituation, die zum Tod oder schwerer Verletzung führt, wenn die jeweiligen Anweisungen nicht befolgt werden.



WARNUNG!

Kennzeichnet eine Gefahrensituation, die zum Tod oder schwerer Verletzung führen könnte, wenn die jeweiligen Anweisungen nicht befolgt werden.



VORSICHT!

Kennzeichnet eine Gefahrensituation, die zu geringer oder mittelschwerer Verletzung führen könnte, wenn die jeweiligen Anweisungen nicht befolgt werden.



ACHTUNG!

Kennzeichnet eine Situation, die zu Sachschäden führen kann, wenn die jeweiligen Anweisungen nicht befolgt werden.



HINWEIS Ergänzende Informationen zur Bedienung des Produktes.

3 Zielgruppen



Der Anschluss an die Stromversorgung muss von einer Fachkraft ausgeführt werden, die nachweislich über Fähigkeiten und Kenntnisse in Bezug auf den Aufbau und den Betrieb von Elektrogeräten und -anlagen verfügt und ein Sicherheitstraining zum Erkennen und Vermeiden der diesbezüglichen Gefahren absolviert hat.



Die mechanische Installation muss durch eine qualifizierte Person durchgeführt werden, die mit dem Aufbau und der Bedienung der Anlage und den damit verbundenen Gefahren vertraut ist.

4 Sicherheitshinweise



WARNUNG! Nichtbeachtung dieser Warnungen kann zum Tod oder schwerer Verletzung führen.

- Die Reparatur des Geräts darf nur von Fachkräften durchgeführt werden, die mit den verbundenen Gefahren bzw. den einschlägigen Vorschriften vertraut sind. Durch unsachgemäße Reparaturen können erhebliche Gefahren entstehen. Wenn Reparaturen notwendig sind, wenden Sie sich an den Kundendienst in Ihrem Land (siehe dometic.com/dealer).
- Das Gerät muss gemäß den nationalen Vorschriften für elektrische und mechanische Installationen montiert werden.
- **Elektrogeräte sind kein Kinderspielzeug!** Kinder können Gefahren, die von elektrischen Geräten ausgehen, nicht richtig einschätzen. Lassen Sie Kinder nicht ohne Aufsicht elektrische Geräte benutzen.
- Personen, die aufgrund ihrer physischen, sensorischen oder geistigen Fähigkeiten oder ihrer Unerfahrenheit oder Unkenntnis nicht in der Lage sind, das Gerät sicher zu benutzen, sollten dieses Gerät nicht ohne Aufsicht oder Unterweisung durch eine verantwortliche Person nutzen.
- Im Falle von Feuer lösen Sie **nicht** den oberen Deckel des Geräts. Verwenden Sie zugelassene Löschmittel. Verwenden Sie kein Wasser zum Löschen.
- Das Gerät ist in einem Raum zu lagern, in dem keine Geräte mit offenen Flammen (z. B. ein betriebsbereites Gasgerät) und Zündquellen (z. B. ein betriebsbereites elektrisches Heizgerät) ständig in Betrieb sind.
- Das Gerät ist horizontal an einem trockenen, gut belüfteten und überdachten Ort zu lagern.
- Das Gerät darf nicht durchstochen oder verbrannt werden.
- Beachten Sie, dass Kältemittel möglicherweise keinen Geruch aufweisen.
- Die Dachklimaanlage ist für die Montage an einem Fahrzeug mit einer Bodenfläche von größer als 4 m² vorgesehen.



VORSICHT! Nichtbeachtung dieser Hinweise kann zu leichten bis mittelschweren Verletzungen führen.

- Betreiben Sie das Gerät nur, wenn das Gehäuse und die Kabel unbeschädigt sind.
- Setzen Sie das Gerät nicht in der Nähe von entflammaren Flüssigkeiten oder in geschlossenen Räumen ein.
- Achten Sie darauf, dass brennbare Gegenstände nicht im Bereich des Luftaustritts gelagert oder montiert sind. Der Abstand muss mindestens 50 cm betragen.
- Greifen Sie nicht in Lüftungsauslässe und führen Sie keine Fremdgegenstände in das Gerät ein.
- Tragen Sie stets eine Schutzbrille und Handschuhe.



ACHTUNG! Beschädigungsgefahr

- Das Gerät funktioniert optimal bei 1020 mbar.
- Das Gerät ist so zu lagern, dass eine mechanische Beschädigung vermieden wird.
- Prüfen Sie vor Montage, ob durch die Montage des Geräts ggf. Fahrzeugkomponenten beschädigt werden könnten (z. B. Lampen, Schränke, Türen). Der Fahrzeughersteller hat eventuell bereits Stellen vorgesehen, an denen die Öffnung für die Montage des Geräts ohne Gefahr einer Schwächung des Aufbaus bzw. eines Durchtrennens von Stromkabeln hergestellt werden kann.
- Fragen Sie vor der Montage beim Fahrzeughersteller nach, ob der Aufbau für das statische Gewicht und die Belastungen durch die Dachklimaanlage während der Fahrt ausgelegt ist.
- Stellen Sie sicher, dass der Dachrahmen ordnungsgemäß am Dach abgedichtet ist.
- Wählen Sie als Montageort eine flache und ausreichend ebene Zone in der Mitte zwischen zwei Längsprofilen des Fahrzeugdaches.
- Die Dachneigung der Montagefläche darf nicht mehr als 10 ° betragen.
- Stellen Sie sicher, dass sich im Fahrzeug keine Objekte befinden, welche die Befestigung des Luftverteilerkastens oder die Strömung der gekühlten Luft durch die schwenkbaren Luftverteilerdüsen behindern könnten.
- Führen Sie keine Änderungen oder Umbauten am Gerät durch!
- Bei angebaute Anlage dürfen Sie auf keinen Fall mit Ihrem Fahrzeug durch automatische Waschanlagen fahren.
- Treten Fehler im Kältemittelkreislauf auf, so muss die Anlage von einem Fachbetrieb geprüft und ordnungsgemäß instand gesetzt werden.
- Das Kältemittel darf nicht in die Atmosphäre abgelassen werden.
- Bitte informieren Sie sich bei Ihrem Fahrzeughersteller, ob aufgrund des Aufbaues der Dachklimaanlage eine Änderung des Eintrags der Fahrzeughöhe in den Fahrzeugpapieren notwendig ist.

5 Lieferumfang

 **Abb. 1** auf Seite 3  **Abb. 2** auf Seite 3

Nr. in Abb. 1, Abb. 2	Anzahl	Beschreibung
1	1	Dacheinheit
2	1	Dachrahmen
3	1	Luftverteilerkasten (ADB)
4	1	Mittlere Abdeckung Luftverteilerkasten
5	4	Kanalabschnitte
6	3	Kabelverbinder

Nr. in Abb. 1 , Abb. 2	Anzahl	Beschreibung
7	4	Befestigungsschrauben
8	1	Kastenabdeckung
9	1	Nur einige Modelle: Fernbedienung

6 Zubehör

Als Zubehör erhältlich (nicht im Lieferumfang enthalten):

Beschreibung	Art.-Nr.
Luftkanalverlängerungen (durch jeden Abschnitt werden 10 mm hinzugefügt)	4450017931
Längere Befestigungsschrauben M6 x 160 mm (für Dachstärken 60 ... 120 mm)	4450012023
Luftreiniger	4450029486
Elektrische Heizung	4450029487
Umgebungslicht für Luftverteilerkasten	4450029488
Filter für FreshJet FJX4233M	4450024007 4450024008
Filter für FreshJet FJX4233EEH/FJX4333E(EH)/FJX7333IHP/FJX7337IHP/FJX7457IHP	4450025683

7 Bestimmungsgemäßer Gebrauch

Die Dachklimaanlage ist nur für die Montage auf dem Dach eines Wohnwagens oder Freizeitfahrzeugs zur Kühlung und Heizung vorgesehen.

Die Dachklimaanlage ist **nicht** für Züge, Häuser und Wohnungen geeignet. Die Dachklimaanlage ist **nicht** für die Montage in Baumaschinen, Landmaschinen oder ähnlichen Arbeitsgeräten geeignet.

Dieses Produkt ist nur für den angegebenen Verwendungszweck und die Anwendung gemäß dieser Anleitung geeignet.

Dieses Handbuch enthält Informationen, die für die ordnungsgemäße Installation und/oder den ordnungsgemäßen Betrieb des Produkts erforderlich sind. Installationsfehler und/oder ein nicht ordnungsgemäßer Betrieb oder eine nicht ordnungsgemäße Wartung haben eine unzureichende Leistung und u. U. einen Ausfall des Geräts zur Folge.

Der Hersteller übernimmt keine Haftung für Verletzungen oder Schäden am Produkt, die durch Folgendes entstehen:

- Unsachgemäße Installation oder falscher Anschluss, einschließlich Überspannung
- Unsachgemäße Wartung oder Verwendung von anderen als den vom Hersteller gelieferten Original-Ersatzteilen
- Veränderungen am Produkt ohne ausdrückliche Genehmigung des Herstellers
- Verwendung für andere als die in der Anleitung beschriebenen Zwecke

Dometic behält sich das Recht vor, das Erscheinungsbild des Produkts und dessen technische Daten zu ändern.

8 Liste der Modelle

Die Modelle werden nach mechanischen Modellen, Modellen mit fester Drehzahl und Modellen mit Wechselrichter unterschieden.

Die folgende Tabelle zeigt, welche Funktion für ein bestimmtes Modell gilt:

Funktion ● ist verfügbar

Funktion ○ ist aufrüstbar

	FJX4233M	FJX4233EEH	FJX4333EEH	FJX4333E	FJX7333IHP	FJX7337IHP	FJX7457IHP
	Mechanisch	Feste Drehzahl			Wechselrichter		
Automatik		●	●	●	●	●	●
Kühlung	●	●	●	●	●	●	●
Heizung		●	●	○	●	●	●
Belüftung	●	●	●	●	●	●	●
Entfeuchtung		●	●	●	●	●	●
Luftreiniger	○	●	●	○	●	●	●
ADB-Leuchte		●	●	○	●	●	●
Außenbeleuchtung					●	●	●
Timer		●	●	●	●	●	●
Sleep		●	●	●	●	●	●
Soft Start			●	○	●	●	●

9 Erklärung der Symbole am Gerät



Warnung! Material mit geringer Abbrandgeschwindigkeit.



Lesen Sie die Bedienungsanleitung.



Lesen Sie das Servicehandbuch.

10 Technische Grenzen und Bedingungen

Die Dachklimaanlage ist für Fahrzeuge mit einer Dachstärke von 25 mm ... 60 mm vorgesehen. Die Dachklimaanlage arbeitet bei Umgebungstemperaturen zwischen -2 °C ... 52 °C. Die Dachklimaanlage ist für den Einbau innerhalb von $\pm 10^\circ$ zur horizontalen Ebene vorgesehen.

11 Installation



GEFAHR! Gefahr durch Stromschlag

- Der Anschluss an die Stromversorgung im Freizeitfahrzeug muss von einer Fachkraft ausgeführt werden, die nachweislich über Fähigkeiten und Kenntnisse in Bezug auf den Aufbau und den Betrieb von Elektrogeräten und -anlagen verfügt und ein Sicherheitstraining zum Erkennen und Vermeiden der diesbezüglichen Gefahren absolviert hat.
- Unterbrechen Sie bei Arbeiten an der Dachklimaanlage alle Stromversorgungen, einschließlich Wechselrichter.
- Stellen Sie sicher, dass die Stromversorgung des Geräts sich während der Installation oder Wartung nicht wieder verbinden kann.



WARNUNG! Gefahr durch Stromschlag

- Der Einbau des Geräts muss in Übereinstimmung mit nationalen Bestimmungen erfolgen.
- Folgendes muss in die Festverdrahtung gemäß den Anschlussvorschriften integriert werden: Eine allpolige Trennvorrichtung mit einer Kontaktöffnung von mindestens 3 mm an allen Polen; bei einem Leckstrom, der 10 mA überschreiten kann, eine Fehlerstrom-Schutzvorrichtung (RCD) mit einem nominellen Ansprech-Fehlerstrom von nicht mehr als 30 mA; eine Trennvorrichtung.
- Wenn bei der Anlage ein Fenster oder eine Luke durch eine sicherheitsrelevante Zwangsentlüftung ersetzt wird, muss eine zusätzliche Sicherheitsentlüftung (z. B. ein Pilzventilator o. Ä.) eingebaut werden. Wenden Sie sich im Zweifelsfall an den Fahrzeughersteller.
- Nach Montage der Dachklimaanlage muss ein in der Nähe der Dachklimaanlage befindlicher Abluftkamin mindestens 10 cm darüber hinausragen. Verlängern Sie bei Bedarf den Abluftkamin. Beachten Sie die Hinweise des Heizgeräteherstellers.



VORSICHT! Verletzungsgefahr!

- Eine unsachgemäße Montage der Dachklimaanlage kann zu irreparablen Schäden an der Anlage führen und ein Sicherheitsrisiko für den Benutzer darstellen.
- Zum Tragen und Anheben der Dachklimaanlage ist eine zweite Person erforderlich.
- Prüfen Sie vor der Montage den Verlauf von vorhandenen, insbesondere nicht sichtbaren Kabelsträngen, Leitungen und anderen Komponenten, die sich im Montagebereich befinden, und beachten Sie diese bei der Montage des Geräts (beim Bohren oder Schrauben usw.).
- Verlegen und befestigen Sie die Leitungen so, dass keine Stolpergefahr besteht und eine Beschädigung des Kabels ausgeschlossen ist.
- Tragen Sie stets eine Schutzbrille und Handschuhe.



ACHTUNG! Beschädigungsgefahr

- Das Gerät ist ein abgedichtetes System mit einem geschlossenen Kühlkreislauf. Öffnen oder manipulieren Sie das Gerät nur, wenn Sie ein entsprechend qualifizierter Techniker sind.
- Müssen Leitungen durch scharfkantige Wände geführt werden, so verwenden Sie Leerrohre bzw. Leitungsdurchführungen.

- Verlegen Sie keine losen oder scharf abgenickten Leitungen an elektrisch leitenden Materialien (Metall).
- Ziehen Sie nicht an den Leitungen.
- Stellen Sie sicher, dass die Kabel nicht Verschleiß, Korrosion, übermäßigem Druck, Schwingungen, scharfen Kanten oder anderen schädlichen Umgebungsauswirkungen ausgesetzt sind. Bei der Prüfung müssen auch die Auswirkungen von Alterung oder kontinuierlichen Schwingungsquellen wie Kompressoren oder Lüftern berücksichtigt werden.
- Beachten Sie die Statik des Fahrzeugdachs. Das Fahrzeugdach muss das Gewicht der Dachklimaanlage tragen können, ohne eingedrückt zu werden oder sich zu verformen. Wenden Sie sich im Zweifelsfall an den Fahrzeughersteller.



HINWEIS

- Die technischen Daten des Geräts finden Sie im Technische Daten und auf den folgenden Typenschildern:
- Typenschild der Dacheinheit Abb. **3**
- Typenschild des Luftverteilerkastens Abb. **4**



Weitere Informationen zu Dachklimaanlagen finden Sie in der Bedienungsanleitung, wie z. B. die technische Beschreibung oder die Bedienelemente, siehe qr.dometic.com/bdjNOx.



Abb. 3 auf Seite 4 **Abb. 4 auf Seite 4**

1. Wählen Sie Ihre Installationsmethode für die Dachklimaanlage:
 - Herstellen einer neuen Öffnung. In diesem Fall muss in die neue Öffnung ein geeigneter Rahmen zur Verstärkung eingebracht werden.
 - Eine vorhandene Öffnung in dem Fahrzeug wird verwendet, wie beispielsweise eine Dachluke, oder eine alte Dachklimaanlage wird ersetzt.
 - Stellen Sie sicher, dass die folgenden Abstände eingehalten werden:

Modell	Objekthöhe < 60 mm	Objekthöhe > 60 mm			
	Alle 4 Seiten	Rechts	Links *	Rückseite *	Front
FJX4333EEH	50 mm	150 mm	150 mm	150 mm	150 mm
FJX7333IHP	50 mm	150 mm	150 mm	150 mm	150 mm
FJX7337IHP	50 mm	300 mm	150 mm	150 mm	150 mm
FJX7457IHP	50 mm	300 mm	150 mm	150 mm	150 mm

* In diesem Zusammenhang bedeutet „links“ und „rechts“ bei Ansicht des Geräts von der Vorderseite des Fahrzeugs aus.

- Stellen Sie sicher, dass die folgenden Abstände eingehalten werden:

* In diesem Zusammenhang bedeutet „links“ und „rechts“ bei Ansicht des Geräts von der Vorderseite des Fahrzeugs aus.

Neue Öffnung herstellen

2. Wählen Sie auf dem Dach eine Zone in der Mitte zwischen zwei Längsprofilen.
3. Markieren Sie die Position und Größe der Öffnung (400 × 400 mm).

 **Abb. 5** auf Seite 4

4. Bohren Sie die Ecken aus **(A)**.

**ACHTUNG! Beschädigungsgefahr**

Stellen Sie sicher, dass keine elektrischen Kabel beschädigt werden. Prüfen Sie, wo sich die elektrischen Kabel befinden.

 **Abb. 6** auf Seite 5

5. Schneiden Sie die Öffnung im Dach sorgfältig mit einer Stichsäge o. Ä. aus **(B)**.
6. Prüfen Sie, ob die Dachöffnung verstärkt werden muss.
7. Entfernen Sie bei Bedarf die Ausschäumung entsprechend der Breite Ihrer Verstärkungsleisten (nicht im Lieferumfang enthalten) **(A)**.

 **Abb. 7** auf Seite 5

8. Verstärkungsleisten einpassen **(B)**.

Einbau in eine vorhandene Öffnung

9. Entfernen Sie alle Schrauben und Befestigungen der vorhandenen Dachluke oder Klimaanlage.

 **Abb. 8** auf Seite 5

10. Nehmen Sie die Dachluke bzw. Dachklimaanlage heraus.
11. Entfernen Sie das Dichtungsmaterial rund um die Öffnung mit einem Schaber o. Ä.

 **Abb. 9** auf Seite 5

Anschlussleitungen verlegen

12. Prüfen Sie, ob die Spannungsangabe auf dem Typenschild der Dachklimaanlage mit der vorhandenen Netzspannung übereinstimmt. Die Dachklimaanlage muss an einen Stromkreis angeschlossen werden, der in der Lage ist, den erforderlichen Strom zu liefern (Technische Daten).
13. Stellen Sie sicher, dass die Stromversorgung über einen Fehlerstrom-Schutzschalter abgesichert ist (< 30 mA). Falls nicht vorhanden, installieren Sie einen Fehlerstrom-Schutzschalter.
14. Bauen Sie auf der Montageseite einen allpoliger Schalter mit einer Kontaktöffnung von mindestens 3 mm ein.
15. Wählen Sie den Leitungsquerschnitt der Stromversorgung entsprechend der Leitungslänge aus:
 - Länge < 7,5 m: 1,5 mm²
 - Länge > 7,5 m: 2,5 mm²
16. Bringen Sie an einer Seite eine Öffnung für das Durchführen des Stromversorgungskabels an.

 **Abb. 10** auf Seite 5

17. Verlegen Sie das Stromversorgungskabel durch die Öffnung in den Fahrzeuginnenraum.

Dacheinheit einbauen

18. Dichten Sie die Unterseite des Dachrahmens mit einem plastischen, nicht aushärtenden Butyldichtstoff ab (z. B. SikaLastomer-710, Selleys Butyl Mastic, Bostik Ezycaulk-Butyldichtstoff o. Ä.). Beachten Sie die Hinweise des Dichtmittel-Herstellers.

 **Abb. 11** auf Seite 6

19. Richten Sie den Dachrahmen anhand der Öffnungsgröße aus.
20. Passen Sie den Dachrahmen in die Dachöffnung ein.

 **Abb. 12 auf Seite 6**

21. Heben Sie die Dacheinheit auf das Fahrzeugdach. Beachten Sie die Fahrtrichtung.
22. Setzen Sie die Dacheinheit in den Dachrahmen ein und richten Sie sie in der Nut des Dachrahmens aus. Richten Sie die Nut des Dachrahmens anhand der Ecken an der Vorderseite des Dachrahmens aus.

Elektrische Anschlüsse

23. Schließen Sie das Stromversorgungskabel an.

 **Abb. 13 auf Seite 7**

- a) Schließen Sie die zugehörigen Leitungen **(1)** an jeweils einen Kabelverbinder **(2)** an.
 - b) Schließen Sie die Dachklimaanlage an die Stromversorgung an.
 - c) Schließen Sie das Massekabel an das Massesystem des Fahrzeugs an.
24. **Nur mechanische Modelle:** Schließen Sie das Kabel zwischen der externen Einheit und dem Luftkastendiffusor an.
 - a) Ziehen Sie den Filter leicht heraus, um einen Spalt für das Verbindungskabel **(3)** zu schaffen.
 - b) Führen Sie das Kabel durch den Spalt und platzieren Sie die Leitung in der Öffnung.
 - c) Schließen Sie den 6-poligen Verbindungsstecker an die Buchse an der Seite des Displays am Luftverteilerkasten an. Stellen Sie sicher, dass sich das Kabel in der kleinen Öffnung, weg von dem Filterbereich befindet.
 - d) Befestigen Sie überhängende Kabelabschnitte in den Halterungen.
 25. **Nur Modelle mit fester Drehzahl und Wechselrichter:** Schließen Sie das Verbindungskabel an.
 - a) Ziehen Sie den Filter leicht heraus, um einen Spalt für das Verbindungskabel **(4)** zu schaffen.
 - b) Führen Sie das Verbindungskabel durch den Spalt und platzieren Sie die Leitung in der Öffnung.
 - c) Schließen Sie den 4-poligen Verbindungsstecker an die Buchse an der Seite des Displays am Luftverteilerkasten an. Stellen Sie sicher, dass sich das Kabel in der kleinen Öffnung, weg von dem Filterbereich befindet.
 - d) Befestigen Sie überhängende Kabelabschnitte in den Halterungen.

Luftverteilerkasten einbauen

26. Stapeln Sie die Luftkanäle und setzen Sie sie entsprechend der Dachstärke ein: Stellen Sie dabei sicher, dass die Kanalhöhe der Dachhöhe entspricht oder verwenden Sie die Tabelle als Richtlinie.

 **Abb. 14 auf Seite 8**

Dachstärke	Anzahl von Kanalabschnitten
25 ... 35 mm	1
35 ... 45 mm	2
45 ... 55 mm	3
55 ... 60 mm	4



HINWEIS Bei größerer Dachstärke können zusätzliche Kanalabschnitte erworben werden.

27. Bringen Sie die erforderliche Anzahl von Kanalabschnitten an dem Luftverteilerkasten an.
28. Befestigen Sie den Luftverteilerkasten an der Decke, indem Sie die 4 im Lieferumfang enthaltenen Schrauben durch die Dacheinheit führen. Ziehen Sie die Schrauben mit einem Drehmomentschlüssel und einem Anzugsmoment von $2.5 \text{ Nm} \pm 0.3 \text{ Nm}$ an.

 **Abb. 15** auf Seite 9

29. Drücken Sie den Filter wieder vollständig in die Halterung.

 **Abb. 16** auf Seite 9

30. Rasten Sie die mittlere Abdeckung am Luftverteilerkasten ein.

 **Abb. 17** auf Seite 10

31. Informieren Sie sich beim Fahrzeughersteller, ob aufgrund des Aufbaus der Dachklimaanlage eine Abnahme (nach § 19 StVZO) und eine Änderung des Eintrags der Fahrzeughöhe in den Fahrzeugpapieren notwendig sind:

- FreshJet FJX4233, FreshJet FJX4333, FreshJet FJX7333: Größere Höhe 225 mm
- FreshJet FJX7337: Größere Höhe 242 mm
- FreshJet FJX7457: Größere Höhe 283 mm

✓ Der Einbau ist nun abgeschlossen.

Schließen Sie die Dachklimaanlage an die Stromversorgung an und prüfen Sie, ob sie funktioniert.

12 Anschlusspläne

FJX4233M

 **Abb. 18** auf Seite 10

FJX4233E, FJX4333E(EH), FJX7333IHP

 **Abb. 19** auf Seite 11

FJX7333IHP

 **Abb. 20** auf Seite 11

FJX7337IHP, FJX7457IHP

 **Abb. 21** auf Seite 12

Luftverteilerkasten

 **Abb. 22** auf Seite 12

13 Entsorgung



Geben Sie das Verpackungsmaterial möglichst in den entsprechenden Recycling-Müll. Wenden Sie sich an ein örtliches Recyclingzentrum oder einen Fachhändler, um zu erfahren, wie Sie das Produkt gemäß den geltenden Entsorgungsvorschriften entsorgen können.




Schützen Sie Ihre Umwelt! Akkus und Batterien gehören nicht in den Hausmüll. Geben Sie bitte Ihre defekten Akkus oder verbrauchten Batterien beim Händler oder bei einer Sammelstelle ab.

14 Technische Daten

 **Abb. 23** auf Seite 13  **Abb. 24** auf Seite 13  **Abb. 25** auf Seite 13  **Abb. 26** auf Seite 14


Enthält fluoridierte Treibhausgase. Hermetisch geschlossene Vorrichtung.

Hiermit erklärt Dometic, dass dieser Funkgerädetyp der Richtlinie 2014/53/EU entspricht. Der vollständige Text der EU-Konformitätserklärung ist unter der folgenden Internetadresse verfügbar <http://documents.dometic.com>.

	FreshJet FJX4233M
Kühlleistung in Anlehnung an ISO 5151:	1500 W
Eingangswchelsspannung:	220 V ... 240 V / 50 Hz
Nennstrom Kühlung:	3,1 A
Benötigte Sicherung:	Min. 4 A, max. 16 A
Betriebstemperaturbereich:	-2 °C ... 52 °C
Kältemittel:	R410a
Kältemittelmenge:	380 g
CO ₂ -Äquivalent:	0,793 t
Treibhauspotenzial (GWP):	2088
Schutzklasse (Dachklimaanlage):	IPX4
Geräuschpegel (höchste Lüfterstufe)	< 70 dB(A)
Frequenz	2,4 GHz
Maximale Funkfrequenzleistung	19,14 dBm
Vorgeschlagene maximale Fahrzeuglänge (mit isolierten Wänden):	≤ 5 m
Abmessungen L x B x H:	Abb. 23
Gewicht:	< 30 kg
Prüfung/Zertifikat:	CE 

	FreshJet FJX4233EEH	FreshJet FJX4333EEH	FreshJet FJX4333E
Kühlleistung in Anlehnung an ISO 5151:	1700 W	2200 W	2200 W
Heizleistung in Anlehnung an ISO 5151:	800 W	1000 W	-
Eingangswchelspannung:	220 V ... 240 V / 50 Hz		
KühlInnenstrom:	3,4 A	4,6 A	4,6 A
HeizInnenstrom:	3,7 A	4,4 A	-
Benötigte Sicherung:	Min. 4 A, max. 16 A	Min. 5 A, max. 16 A	Min. 5 A, max. 16 A
Betriebstemperaturbereich:	-2 °C ... 52 °C		
Kältemittel:	R32		

DE Dometic FJX

	FreshJet FJX4233EEH	FreshJet FJX4333EEH	FreshJet FJX4333E
Kältemittelmenge:	320 g	360 g	360 g
CO ₂ -Äquivalent:	0,216 t	0,243 t	0,243 t
Treibhauspotenzial (GWP):		675	
Schutzklasse (Dachklimaanlage):		IPX4	
Geräuschpegel (höchste Lüfterstufe)		< 70 dB(A)	
Frequenz		2,4 GHz	
Maximale Funkfrequenzleistung		19,14 dBm	
Vorgeschlagene maximale Fahrzeuglänge (mit isolierten Wänden):	≤ 6 m	≤ 7 m	≤ 7 m
Abmessungen L x B x H:		Abb. 24	
Gewicht:	< 30 kg	< 30 kg	< 30 kg
Prüfung/Zertifikat:		CE 	
	FreshJet FJX7333IHP	FreshJet FJX7337IHP	FreshJet FJX7457IHP
Kühlleistung in Anlehnung an ISO 5151:	2200 W	3000 W	3500 W
Heizleistung in Anlehnung an ISO 5151:	2000 W	2500 W	3000 W
Eingangswchelspannung:	220 V ... 240 V / 50 Hz ... 60 Hz		
Nennstrom Kühlung:	< 5,9 A	< 7,3 A	< 7,5 A
Nennstrom Heizung:	< 3,7 A	< 5,9 A	< 6,5 A
Benötigte Sicherung:	Min. 6 A, max. 16 A	Min. 8 A, max. 16 A	Min. 8 A, max. 16 A
Betriebstemperaturbereich:	-2 °C ... 52 °C		
Kältemittel:	R32		
Kältemittelmenge:	400 g	480 g	650 g
CO ₂ -Äquivalent:	0,270 t	0,324 t	0,439 t
Treibhauspotenzial (GWP):		675	
Schutzklasse (Dachklimaanlage):		IPX4	
Geräuschpegel (höchste Lüfterstufe)		< 70 dB(A)	
Frequenz		2,4 GHz	
Maximale Funkfrequenzleistung		19,14 dBm	
Vorgeschlagene maximale Fahrzeuglänge (mit isolierten Wänden):	≤ 7 m	≤ 7 m	> 8 m
Abmessungen L x B x H:	Abb. 24	Abb. 25	Abb. 26

	FreshJet FJX7333IHP	FreshJet FJX7337IHP	FreshJet FJX7457IHP
Gewicht:	< 30 kg	< 35 kg	< 40 kg
Prüfung/Zertifikat:	CE UK		

Français

1	Remarques importantes.....	40
2	Signification des symboles.....	40
3	Groupes cible.....	41
4	Consignes de sécurité.....	41
5	Contenu de la livraison.....	42
6	Accessoires.....	43
7	Usage conforme.....	43
8	Liste des modèles.....	43
9	Description des symboles de l'appareil.....	44
10	Limites et conditions techniques.....	44
11	Installation.....	45
12	Plans de raccordement.....	49
13	Mise au rebut.....	49
14	Caractéristiques techniques.....	49

1 Remarques importantes

Veillez lire et suivre attentivement l'ensemble des instructions, directives et avertissements figurant dans ce manuel afin d'installer, d'utiliser et d'entretenir le produit correctement à tout moment. Ces instructions DOIVENT rester avec le produit.

En utilisant ce produit, vous confirmez expressément avoir lu attentivement l'ensemble des instructions, directives et avertissements et que vous comprenez et acceptez de respecter les modalités et conditions énoncées dans le présent document. Vous acceptez d'utiliser ce produit uniquement pour l'usage et l'application prévus et conformément aux instructions, directives et avertissements figurant dans le présent manuel, ainsi qu'à toutes les lois et réglementations applicables. En cas de non-respect des instructions et avertissements figurant dans ce manuel, vous risquez de vous blesser ou de blesser d'autres personnes, d'endommager votre produit ou d'endommager d'autres biens à proximité. Le présent manuel produit, y compris les instructions, directives et avertissements, ainsi que la documentation associée peuvent faire l'objet de modifications et de mises à jour. Pour obtenir des informations actualisées sur le produit, consulter le site documents.dometic.com.

2 Signification des symboles



DANGER !

indique une situation dangereuse qui, si elle n'est pas évitée, entraînera des blessures graves, voire mortelles.



AVERTISSEMENT !

indique une situation dangereuse qui, si elle n'est pas évitée, est susceptible d'entraîner des blessures graves, voire mortelles.



ATTENTION !

indique une situation dangereuse qui, si elle n'est pas évitée, est susceptible d'entraîner des blessures légères ou de gravité modérée.



AVIS !

indique une situation dangereuse qui, si elle n'est pas évitée, peut entraîner des dommages matériels.



REMARQUE Informations complémentaires sur l'utilisation de ce produit.

3 Groupes cible



L'alimentation électrique doit être raccordée par un électricien qualifié disposant des compétences et des connaissances requises en matière de structure et de fonctionnement d'équipements et d'installations électriques et ayant suivi une formation de sécurité afin d'identifier et d'éviter les risques associés.



L'installation mécanique doit être exécutée par du personnel qualifié connaissant la structure et le fonctionnement de l'équipement, ainsi que les risques encourus.

4 Consignes de sécurité



AVERTISSEMENT ! Le non-respect de ces mises en garde peut entraîner des blessures graves, voire mortelles.

- Seul un personnel qualifié et parfaitement informé des dangers et règlements spécifiques à ces manipulations est habilité à effectuer des réparations sur cet appareil. Une réparation incorrecte peut entraîner de graves dangers. Pour tout service de réparation, contactez le centre d'entretien de votre pays (voir dometic.com/dealer).
- L'appareil doit être installé conformément aux réglementations nationales en matière d'installation électrique et mécanique.
- **Les appareils électriques ne sont pas des jouets pour enfants.** Les enfants ne peuvent estimer les dangers éventuels des appareils électriques. Ne laissez pas les enfants utiliser des appareils électriques sans surveillance.
- Les personnes qui ne sont pas en mesure d'utiliser l'appareil en toute sécurité, que ce soit en raison de déficiences physiques, sensorielles ou mentales ou encore par manque d'expérience ou de connaissances, ne sont pas autorisées à le faire, sauf si une personne garante de leur sécurité les surveille ou leur fournit des explications sur son utilisation.
- En cas, d'incendie, ne retirez **pas** le cache supérieur de l'appareil. Utilisez des agents extincteurs agréés. N'essayez pas d'éteindre l'incendie avec de l'eau.
- L'appareil doit être stocké dans une pièce sans flamme nue en fonctionnement continu (par exemple, un appareil à gaz en fonctionnement) ni source d'ignition (par exemple, un chauffage électrique en fonctionnement).
- L'appareil doit être stocké horizontalement dans un endroit sec, ventilé et couvert.
- Ne percez ou ne brûlez pas l'appareil.
- Notez que les réfrigérants peuvent ne pas avoir d'odeur.
- Le climatiseur de toit doit être installé dans un véhicule dont la surface au sol est supérieure à 4 m².



ATTENTION ! Le non-respect de ces mises en garde peut entraîner des blessures légères ou de gravité modérée.

- Utilisez uniquement l'appareil après avoir vérifié que le boîtier et les câbles sont intacts.
- N'utilisez pas l'appareil à proximité de liquides inflammables ou dans des pièces fermées.
- Assurez-vous qu'aucun objet inflammable n'est entreposé ni installé à proximité de l'échappement. Une distance d'au moins 50 cm doit être observée.

- Ne glissez pas vos doigts dans les échappements et n'introduisez aucun objet à l'intérieur de l'appareil.
- Portez toujours des lunettes et des gants de protection.



AVIS ! Risque d'endommagement

- L'appareil fonctionne de manière optimale à 1020 mbar.
- L'appareil doit être stocké de manière à éviter tout dommage mécanique.
- Avant toute opération, vérifiez qu'aucun élément du véhicule (p. ex. éclairages, armoires, portes, etc.) ne risque d'être endommagé lors du montage de l'appareil. Le constructeur du véhicule peut avoir déjà prévu des points où l'ouverture pour le montage de l'appareil peut être réalisée sans risque d'affaiblir la structure ou de sectionner des câbles d'alimentation.
- Avant l'installation, consultez le constructeur du véhicule pour savoir si sa structure est conçue pour supporter le poids statique et les charges du climatiseur de toit lorsque le véhicule est en mouvement.
- Assurez-vous que le cadre de toit est correctement fixé au toit.
- Choisissez comme emplacement de montage une zone plane et suffisamment lisse située au milieu du toit, entre deux profils longitudinaux.
- L'inclinaison du toit au niveau de la surface de montage ne doit pas dépasser 10 °.
- Assurez-vous qu'à l'intérieur du véhicule aucun obstacle ne puisse gêner la fixation du caisson de distribution d'air ni la sortie de l'air frais par les buses orientables.
- Ne procédez à aucune modification ni transformation de l'appareil !
- Si l'appareil est installé sur votre véhicule, ne le lavez jamais dans une station de lavage automatique.
- Si des défauts apparaissent dans le circuit frigorifique, ce dernier doit être contrôlé et remis en état par une entreprise spécialisée.
- Tout rejet de fluide frigorigène dans l'atmosphère est formellement interdit.
- Demandez au constructeur du véhicule si la hauteur référencée dans les documents du véhicule doit être modifiée en raison de l'installation du climatiseur de toit.

5 Contenu de la livraison

 fig. 1 à la page 3  fig. 2 à la page 3

Référence dans fig. 1, fig. 2	Quantité	Description
1	1	Unité de toit
2	1	Cadre de toit
3	1	Boîte de distribution d'air (ADB)
4	1	Cache centrale de l'ADB
5	4	Sections de gaine
6	3	Raccords de câbles
7	4	Vis de fixation
8	1	Couvercle du caisson
9	1	Uniquement sur certains modèles : Télécommande

6 Accessoires

Disponibles comme accessoires (non compris dans la livraison) :

Description	N° d'article
Sections de gaine d'extension (chaque section couvre 10 mm supplémentaires)	4450017931
Boulons de fixation plus longs M6 x 160 mm (pour les toits d'une épaisseur de 60 ... 120 mm)	4450012023
Purificateur d'air	4450029486
Radiateur électrique	4450029487
Éclairage ambiant du caisson de distribution d'air (ADB)	4450029488
Filtres pour FreshJet FJX4233M	4450024007 4450024008
Filtres pour FreshJet FJX4233EEH/FJX4333E(EH)/FJX7333IHP/FJX7337IHP/FJX7457IHP	4450025683

7 Usage conforme

Le climatiseur de toit est uniquement destiné à être installé sur le toit d'une caravane ou d'un véhicule de plaisance à des fins de refroidissement et de chauffage.

Le climatiseur de toit n'est **pas** adapté aux trains, maisons et appartements. Le climatiseur de toit n'est **pas** adapté aux engins de construction, aux machines agricoles ou autres engins similaires.

Ce produit convient uniquement à l'usage et à l'application prévus, conformément au présent manuel d'instructions.

Ce manuel fournit les informations nécessaires à l'installation et/ou à l'utilisation correcte du produit. Une installation, une utilisation ou un entretien inappropriés entraînera des performances insatisfaisantes et une éventuelle défaillance.

Le fabricant décline toute responsabilité en cas de blessure ou de dommage résultant :

- d'une installation, d'un montage ou d'un raccordement incorrect, y compris d'une surtension
- d'un entretien inadapté ou de l'utilisation de pièces de rechange autres que les pièces de rechange d'origine fournies par le fabricant
- de modifications apportées au produit sans autorisation explicite du fabricant
- d'usages différents de ceux décrits dans ce manuel

Dometic se réserve le droit de modifier l'apparence et les spécifications produit.

8 Liste des modèles

Les modèles mécaniques, à vitesse fixe et à onduleur sont différenciés.

Le tableau suivant référence les différentes fonctions et modèles correspondants :

- La fonctionnalité est disponible

○ La fonctionnalité peut être mise à niveau

	FJX4233M	FJX4233EEH	FJX4333EEH	FJX4333E	FJX7333IHP	FJX7337IHP	FJX7457IHP
	Mécanique	Vitesse fixe			Onduleur		
Automatique		●	●	●	●	●	●
Refroidissement	●	●	●	●	●	●	●
Chauffage		●	●	○	●	●	●
Ventilation	●	●	●	●	●	●	●
Déshumidification		●	●	●	●	●	●
Purificateur d'air	○	●	●	○	●	●	●
Lampe à ADB		●	●	○	●	●	●
Éclairage extérieur					●	●	●
Minuterie		●	●	●	●	●	●
Veille		●	●	●	●	●	●
Soft Start			●	○	●	●	●

9 Description des symboles de l'appareil



Attention ! Matériau à combustion lente.



Consultez le manuel d'utilisation.



Consultez le manuel de service.

10 Limites et conditions techniques

Le climatiseur de toit est conçu pour les véhicules dotés d'un toit d'une épaisseur de 25 mm ... 60 mm. Le climatiseur de toit fonctionne à des températures ambiantes comprises entre -2 °C ... 52 °C. Le climatiseur de toit est conçu pour être installé à ± 10 ° du plan horizontal.

11 Installation



DANGER ! Risque d'électrocution

- L'alimentation électrique du véhicule de plaisance doit être raccordée par un électricien qualifié disposant des compétences et des connaissances requises en matière de structure et de fonctionnement d'équipements et d'installations électriques et ayant suivi une formation de sécurité afin d'identifier et d'éviter les risques associés.
- Coupez toutes les sources d'alimentation électrique, y compris les onduleurs, pendant les travaux sur le climatiseur de toit.
- Assurez-vous que l'alimentation de l'appareil ne peut pas être reconnectée pendant l'installation ou la maintenance.



AVERTISSEMENT ! Risque d'électrocution

- L'appareil doit être installé conformément aux réglementations nationales en matière de câblage.
- Les éléments suivants doivent être incorporés dans le câblage fixe conformément aux règles de câblage : Un dispositif de déconnexion omnipolaire avec au moins 3 mm dégagements sur tous les pôles ; en présence d'un courant de fuite pouvant dépasser 10 mA, un disjoncteur différentiel ayant une intensité de courant résiduel de réponse ne dépassant pas 30 mA ; une déconnexion.
- Si l'appareil remplace une fenêtre ou une trappe dotée d'une fonction de ventilation forcée à des fins de sécurité, un dispositif de ventilation de sécurité supplémentaire (par exemple, un ventilateur de toit ou similaire) doit être ajouté. En cas de doute, consultez le fabricant du véhicule.
- Après l'installation du climatiseur de toit, une cheminée d'évacuation située à proximité du climatiseur de toit doit s'élever d'au moins 10 cm au-dessus de celui-ci. Si nécessaire, prolongez la cheminée d'évacuation. Respectez les instructions du fabricant de l'appareil de chauffage.



ATTENTION ! Risque de blessures

- Un montage non conforme du climatiseur de toit peut endommager l'appareil de manière irréversible et compromettre la sécurité de l'utilisateur.
- Portez ou soulevez toujours le climatiseur de toit avec l'aide d'une autre personne.
- Avant l'installation, vérifiez la position des faisceaux de câbles, conduites et autres composants présents, en particulier ceux qui ne sont pas visibles, dans la zone de montage de l'appareil (opérations de perçage, de vissage, etc.).
- Fixez et posez les câbles de manière à exclure tout risque de trébuchement ou d'endommagement du câble.
- Portez toujours des lunettes et des gants de protection.



AVIS ! Risque d'endommagement

- L'appareil est un système étanche avec un circuit de réfrigérant fermé. N'ouvrez pas l'appareil et ne le manipulez pas, sauf si vous êtes un technicien qualifié.
- Si des câbles doivent traverser des murs à arêtes vives, utilisez des conduits pour câbles.
- Ne faites passer aucun câble non fixé ou fortement coudé sur des matériaux conducteurs (métal).
- Ne tirez pas sur les câbles.
- Vérifiez que le câblage ne sera pas soumis à l'usure et à la corrosion, ni exposé à une pression excessive, à des vibrations, à des bords tranchants ou à tout autre effet environnemental indésirable. Prenez également en compte les effets dus à l'usure ou aux vibrations continues provenant de sources telles que les compresseurs ou les ventilateurs.

- Tenez compte des contraintes statiques exercées sur le toit du véhicule. Le toit du véhicule doit pouvoir supporter le poids du climatiseur de toit sans dégâts ni déformations. En cas de doute, consultez le fabricant du véhicule.



REMARQUE

- Vous trouverez les caractéristiques techniques de l'appareil dans le document Caractéristiques techniques et sur les plaques signalétiques suivantes :
- Plaque signalétique de l'unité de toit fig. 3
- Plaque signalétique du caisson de distribution d'air (ADB) fig. 4



Pour plus d'informations sur les climatiseurs de toit, telles que la description technique ou les commandes, consultez le manuel d'utilisation qr.dometic.com/bdjin0x.



fig. 3 à la page 4 fig. 4 à la page 4

1. Choisissez la méthode d'installation du climatiseur de toit :
 - Réalisation d'une nouvelle ouverture. Dans ce cas, l'ouverture doit être renforcée par un cadre approprié.
 - Utilisez une ouverture existante dans le véhicule, telle qu'une trappe de toit ou remplacez un ancien climatiseur de toit.
 - Respectez les dégagements suivants :

Modèle	Hauteur de l'objet < 60 mm	Hauteur de l'objet > 60 mm			
	Des 4 côtés	Côté droit	Côté gauche *	Face arrière *	Face avant
FJX4333EEH	50 mm	150 mm	150 mm	150 mm	150 mm
FJX7333IHP	50 mm	150 mm	150 mm	150 mm	150 mm
FJX7337IHP	50 mm	300 mm	150 mm	150 mm	150 mm
FJX7457IHP	50 mm	300 mm	150 mm	150 mm	150 mm

* Dans ce contexte, « Côté gauche » et « Côté droit » signifient que vous regardez l'unité depuis l'avant du véhicule.

- Respectez les dégagements suivants :

* Dans ce contexte, « Côté gauche » et « Côté droit » signifient que vous regardez l'unité depuis l'avant du véhicule.

Perçement d'une nouvelle ouverture

2. Choisissez une zone du toit située au centre, entre deux profils longitudinaux.
3. Marquez la position et la taille de l'ouverture (400 × 400 mm).

fig. 5 à la page 4

4. Percez les angles (A).



AVIS ! Risque d'endommagement

Assurez-vous qu'aucun câble d'alimentation électrique n'est endommagé. Vérifiez l'emplacement des câbles électriques.

fig. 6 à la page 5

5. Découpez soigneusement l'ouverture sur le toit avec une scie sauteuse ou un outil similaire (B).
6. Vérifiez si l'ouverture du toit doit être renforcée.
7. Si nécessaire, retirez la mousse en fonction de la largeur de vos rails de renfort (non compris dans la livraison) (A).

fig. 7 à la page 5

8. Installez les rails de renfort (B).

Installation dans une ouverture existante

9. Enlevez toutes les vis et fixations de la trappe de toit ou du climatiseur existant.

fig. 8 à la page 5

10. Retirez la trappe de toit ou le climatiseur de toit.
11. Éliminez les restes de mastic tout autour de l'ouverture avec un racloir ou un outil similaire.

fig. 9 à la page 5

Pose des câbles de raccordement

12. Vérifiez que la tension indiquée sur la plaque signalétique du climatiseur de toit correspond à l'alimentation électrique. Le climatiseur de toit doit être relié à un circuit électrique capable de fournir le courant nécessaire (Caractéristiques techniques).
13. Vérifiez que l'alimentation électrique est équipée d'un disjoncteur différentiel (< 30 mA). Si tel n'est pas le cas, installez le disjoncteur différentiel.
14. Installez un interrupteur omnipolaire d'une largeur d'ouverture de contact d'au moins 3 mm du côté du montage.
15. Choisissez la section du câble d'alimentation électrique en fonction de sa longueur :
 - Longueur < 7,5 m : 1,5 mm²
 - Longueur > 7,5 m : 2,5 mm²
16. Faites une ouverture d'un côté afin de faire passer le câble d'alimentation.

fig. 10 à la page 5

17. Faites passer le câble d'alimentation électrique par l'ouverture dans l'habitacle du véhicule.

Installation de l'unité de toit

18. Scellez le périmètre inférieur du cadre de toit avec un mastic butyle souple non durcissant (p. ex. SikaLastomer-710, Selleys Butyl Mastic, mastic butyle Bostik Ezycalk, ou produits similaires). Veuillez tenir compte des recommandations du fabricant du produit d'étanchéité.

fig. 11 à la page 6

19. Orientez le cadre de toit en fonction de la taille de l'ouverture.
20. Placez le cadre de toit dans l'ouverture du toit.

fig. 12 à la page 6

21. Soulevez l'unité de toit au-dessus du toit du véhicule. Tenez compte du sens de la marche.

22. Positionnez l'unité de toit dans le cadre de toit et alignez-la sur la rainure du cadre de toit. Pour l'aligner sur la rainure du cadre de toit, utilisez les angles à l'avant du cadre de toit.

Raccordement électrique

23. Branchez le câble d'alimentation électrique.

 **fig. 13 à la page 7**

- Raccordez les câbles (1) à un connecteur de câble (2).
 - Raccordez le climatiseur de toit à l'alimentation électrique.
 - Connectez le câble de masse au système de mise à la terre du véhicule.
24. **Modèles mécaniques uniquement :** Branchez le câble entre l'unité externe et le caisson de distribution d'air.
- Tirez légèrement sur le filtre pour créer un espace pour le câble de communication (3).
 - Faites passer le câble dans l'espace et repérez le fil dans l'ouverture.
 - Branchez le connecteur de communication à 6 broches dans la prise située sur le côté de l'écran de l'ADB. Assurez-vous que le câble se trouve dans la petite ouverture éloignée de la zone du filtre.
 - Fixez l'excédent de câble dans les supports.
25. **Uniquement sur les modèles à vitesse fixe et à onduleur :** Branchez le câble de communication.
- Tirez légèrement sur le filtre pour créer un espace pour le câble de communication (4).
 - Faites passer le câble de communication dans l'espace et repérez le fil dans l'ouverture.
 - Branchez le connecteur de communication à 4 broches dans la prise située sur le côté de l'écran de l'ADB. Assurez-vous que le câble se trouve dans la petite ouverture éloignée de la zone du filtre.
 - Fixez l'excédent de câble dans les supports.

Installation de l'ADB

26. Regroupez les sections de gaine et placez-les contre l'épaisseur du toit : Assurez-vous que la hauteur de la gaine correspond à la hauteur du toit ou utilisez le tableau comme guide.

 **fig. 14 à la page 8**

Épaisseur du toit	Nombre de sections de gaine
25 ... 35 mm	1
35 ... 45 mm	2
45 ... 55 mm	3
55 ... 60 mm	4



REMARQUE Des sections de gaine supplémentaires peuvent être achetées pour les toits plus épais.

27. Fixer le nombre de sections de gaine requis à l'ADB.
28. Fixez le caisson de distribution d'air (ADB) au plafond à travers l'unité de toit à l'aide des 4 boulons fournis. Serrez les vis avec une clé dynamométrique à un couple de serrage de $2.5 \text{ Nm} \pm 0.3 \text{ Nm}$.

 **fig. 15 à la page 9**

29. Réintroduisez complètement le filtre.

 **fig. 16 à la page 9**

30. Fixez le cache central sur l'ADB.

 **fig. 17 à la page 10**

31. Contactez le fabricant du véhicule pour savoir si le changement de hauteur du véhicule dû à l'installation du climatiseur de toit doit être agréé et consigné dans les documents du véhicule :

- FreshJet FJX4233, FreshJet FJX4333, FreshJet FJX7333 : Augmentation de la hauteur 225 mm
- FreshJet FJX7337 : Augmentation de la hauteur 242 mm
- FreshJet FJX7457 : Augmentation de la hauteur 283 mm

✓ Le montage est maintenant terminé.

Branchez le climatiseur de toit à l'alimentation et vérifiez s'il fonctionne.

12 Plans de raccordement

FJX4233M

 fig. 18 à la page 10

FJX4233E, FJX4333E(EH), FJX7333IHP

 fig. 19 à la page 11

FJX7333IHP

 fig. 20 à la page 11

FJX7337IHP, FJX7457IHP

 fig. 21 à la page 12

Caisson de distribution d'air (ADB)

 fig. 22 à la page 12

13 Mise au rebut



Dans la mesure du possible, veuillez éliminer les emballages dans les conteneurs de déchets recyclables prévus à cet effet. Pour éliminer définitivement le produit, contacter le centre de recyclage le plus proche ou votre revendeur spécialisé afin de vous informer sur les dispositions relatives au retraitement des déchets.



Protégez l'environnement ! Les piles et les batteries usagées ne sont pas des déchets ménagers. Rapportez les piles défectueuses ou les batteries usagées à votre revendeur ou à un centre de collecte.

14 Caractéristiques techniques

 fig. 23 à la page 13  fig. 24 à la page 13  fig. 25 à la page 13  fig. 26 à la page 14

Contient des gaz à effet de serre fluorés. Équipement hermétique.

Par la présente, Dometic déclare que cet équipement radio est conforme à la directive 2014/53/UE. Le texte intégral de la déclaration de conformité de l'UE est disponible à l'adresse suivante <http://documents.dometic.com>.

	FreshJet FJX4233M
Puissance frigorifique selon ISO 5151 :	1500 W
Tension d'entrée CA :	220 V ... 240 V / 50 Hz
Courant nominal refroidissement :	3,1 A
Fusible requis :	Min. 4 A, max. 16 A
Plage de température de fonctionnement :	-2 °C ... 52 °C
Fluide frigorigène :	R410a
Quantité de fluide frigorigène :	380 g
Équivalent CO ₂ :	0,793 t
Potentiel d'effet de serre (GWP) :	2088
Classe de protection (unité de toit) :	IPX4
Niveau de bruit (réglage de ventilateur le plus élevé)	< 70 dB(A)
Fréquence	2,4 GHz
Puissance de radiofréquence maximale	19,14 dBm
Longueur max. recommandée du véhicule (avec parois isolées) :	≤ 5 m
Dimensions L x l x H :	fig. 23
Poids :	< 30 kg
Contrôle/certification :	CE UK

	FreshJet FJX4233EEH	FreshJet FJX4333EEH	FreshJet FJX4333E
Puissance frigorifique selon ISO 5151 :	1700 W	2200 W	2200 W
Puissance calorifique selon la norme ISO 5151 :	800 W	1000 W	–
Tension d'entrée CA :	220 V ... 240 V / 50 Hz		
Courant de refroidissement nominal :	3,4 A	4,6 A	4,6 A
Courant de chauffage nominal :	3,7 A	4,4 A	–
Fusible requis :	Min. 4 A, max. 16 A	Min. 5 A, max. 16 A	Min. 5 A, max. 16 A
Plage de température de fonctionnement :	-2 °C ... 52 °C		
Fluide frigorigène :	R32		
Quantité de fluide frigorigène :	320 g	360 g	360 g

	FreshJet FJX4233EEH	FreshJet FJX4333EEH	FreshJet FJX4333E
Équivalent CO ₂ :	0,216 t	0,243 t	0,243 t
Potentiel d'effet de serre (GWP) :		675	
Classe de protection (unité de toit) :		IPX4	
Niveau de bruit (réglage de ventilateur le plus élevé)		< 70 dB(A)	
Fréquence		2,4 GHz	
Puissance de radiofréquence maximale		19,14 dBm	
Longueur max. recommandée du véhicule (avec parois isolées) :	≤ 6 m	≤ 7 m	≤ 7 m
Dimensions L x l x H :		fig. 24	
Poids :	< 30 kg	< 30 kg	< 30 kg
Contrôle/certification :		CE UK	

	FreshJet FJX7333IHP	FreshJet FJX7337IHP	FreshJet FJX7457IHP
Puissance frigorifique selon ISO 5151 :	2200 W	3000 W	3500 W
Puissance calorifique selon la norme ISO 5151 :	2000 W	2500 W	3000 W
Tension d'entrée CA :	220 V ... 240 V / 50 Hz ... 60 Hz		
Courant nominal refroidissement :	< 5,9 A	< 7,3 A	< 7,5 A
Courant nominal chauffage :	< 3,7 A	< 5,9 A	< 6,5 A
Fusible requis :	Min. 6 A, max. 16 A	Min. 8 A, max. 16 A	Min. 8 A, max. 16 A
Plage de température de fonctionnement :	-2 °C ... 52 °C		
Fluide frigorigène :	R32		
Quantité de fluide frigorigène :	400 g	480 g	650 g
Équivalent CO ₂ :	0,270 t	0,324 t	0,439 t
Potentiel d'effet de serre (GWP) :		675	
Classe de protection (unité de toit) :		IPX4	
Niveau de bruit (réglage de ventilateur le plus élevé)		< 70 dB(A)	
Fréquence		2,4 GHz	
Puissance de radiofréquence maximale		19,14 dBm	

FR Dometic FJX

	FreshJet FJX7333IHP	FreshJet FJX7337IHP	FreshJet FJX7457IHP
Longueur max. recommandée du véhicule (avec parois isolées) :	≤ 7 m	≤ 7 m	> 8 m
Dimensions L x l x H :	fig. 24	fig. 25	fig. 26
Poids :	< 30 kg	< 35 kg	< 40 kg
Contrôle/certification :	CE UK		

Español

1	Notas importantes.....	53
2	Explicación de los símbolos.....	53
3	Personal al que va dirigido el manual.....	54
4	Indicaciones de seguridad.....	54
5	Volumen de entrega.....	55
6	Accesorios.....	56
7	Uso previsto.....	56
8	Lista de modelos.....	57
9	Explicación de los símbolos del aparato.....	57
10	Límites y condiciones técnicas.....	58
11	Instalación.....	58
12	Esquemas de conexiones.....	62
13	Eliminación.....	62
14	Datos técnicos.....	63

1 Notas importantes

Lea atentamente estas instrucciones y siga las indicaciones, directrices y advertencias incluidas en este manual para asegurarse de que instala, utiliza y mantiene correctamente el producto en todo momento. Estas instrucciones DEBEN conservarse junto con este producto.

Al utilizar el producto, usted confirma que ha leído cuidadosamente todas las instrucciones, directrices y advertencias, y que entiende y acepta cumplir los términos y condiciones aquí establecidos. Usted se compromete a utilizar este producto solo para el propósito y la aplicación previstos y de acuerdo con las instrucciones, directrices y advertencias establecidas en este manual del producto, así como de acuerdo con todas las leyes y reglamentos aplicables. La no lectura y observación de las instrucciones y advertencias aquí expuestas puede causarle lesiones a usted o a terceros, daños en el producto o daños en otras propiedades cercanas. Este manual del producto, incluyendo las instrucciones, directrices y advertencias, y la documentación relacionada, pueden estar sujetos a cambios y actualizaciones. Para obtener información actualizada sobre el producto, visite documents.dometic.com.

2 Explicación de los símbolos



¡PELIGRO!

Indica una situación peligrosa que, de no evitarse, ocasionará la muerte o lesiones graves.



¡ADVERTENCIA!

Indica una situación peligrosa que, de no evitarse, puede ocasionar la muerte o lesiones graves.



¡ATENCIÓN!

Indica una situación peligrosa que, de no evitarse, puede ocasionar lesiones moderadas o leves.



¡AVISO!

Indica una situación peligrosa que, de no evitarse, puede provocar daños materiales.



NOTA Información complementaria para el manejo del producto.

3 Personal al que va dirigido el manual



El suministro de energía eléctrica debe ser conectado por un electricista cualificado que tenga capacidad demostrada y conocimientos relacionados con la construcción y el funcionamiento de equipos e instalaciones eléctricas, y que haya recibido formación en materia de seguridad para identificar y evitar los peligros asociados.



La instalación mecánica debe ser realizada por una persona cualificada que conozca los componentes del equipo, su funcionamiento y los peligros que conlleva.

4 Indicaciones de seguridad



¡ADVERTENCIA! El incumplimiento de estas advertencias podría acarrear la muerte o lesiones graves.

- La reparación del aparato solo podrá ser llevada a cabo por personal especializado y familiarizado con los riesgos y normas pertinentes. Las reparaciones realizadas incorrectamente pueden generar situaciones de considerable peligro. En caso de necesitar una reparación, póngase en contacto con el centro de atención al cliente de su país (véase dometic.com/dealer).
- El aparato debe instalarse de acuerdo con las normativas nacionales de instalaciones eléctricas y mecánicas.
- **Los aparatos eléctricos no son juguetes.** Los niños no tienen capacidad de percibir los peligros que representan los aparatos eléctricos. No deje que los niños usen aparatos eléctricos sin estar bajo su vigilancia.
- Las personas que, debido a discapacidades físicas, sensoriales o mentales, o que por falta de experiencia y conocimientos no estén en condiciones de manejar el equipo de forma segura, no deben utilizarlo sin la vigilancia o las indicaciones de una persona responsable.
- En caso de incendio, **no abra la tapa superior del aparato.** Utilice productos autorizados para la extinción del fuego. No utilice agua para extinguir el fuego.
- El aparato debe almacenarse en un espacio donde no haya llamas abiertas (como un aparato de gas en funcionamiento, por ejemplo) ni fuentes de ignición (como un calentador eléctrico en funcionamiento).
- El aparato debe almacenarse horizontalmente en un lugar seco, ventilado y cubierto.
- No perforo ni queme el aparato.
- Tenga en cuenta que los refrigerantes pueden no tener olor.
- El equipo de aire acondicionado de techo debe instalarse en un vehículo con una superficie de suelo superior a 4 m².



¡ATENCIÓN! El incumplimiento de estas precauciones podría acarrear lesiones moderadas o leves.

- Utilice el aparato solamente si tiene la seguridad de que la carcasa y los cables no están dañados.
- No utilice el aparato cerca de fluidos inflamables ni en recintos cerrados.

- Asegúrese que no haya objetos inflamables situados o instalados cerca de la salida de aire. Debe mantenerse una distancia mínima de 50 cm.
- No acceda a las salidas de aire ni introduzca objetos extraños en el equipo.
- Utilice siempre gafas de seguridad y guantes de protección.



¡AVISO! Peligro de daños

- El aparato funciona de forma óptima a 1020 mbar.
- El aparato debe situarse de tal manera que se eviten posibles daños mecánicos.
- Antes de la instalación, compruebe si el montaje podría provocar daños en componentes del vehículo (como lámparas, armarios o puertas). Es posible que el fabricante del vehículo ya haya previsto puntos en los que se pueda practicar la abertura para montar el aparato sin riesgo de debilitar la estructura ni de cortar ningún cable de alimentación.
- Antes de la instalación, consulte al fabricante del vehículo si la estructura del mismo está diseñada para soportar el peso estático y las cargas del equipo de aire acondicionado de techo cuando el vehículo está en movimiento.
- Asegúrese de que el marco del techo esté correctamente sellado al techo.
- Elija como lugar de montaje una zona llana y suficientemente nivelada en el centro del techo del vehículo entre dos perfiles longitudinales.
- La inclinación del techo en la superficie de instalación no debe superar los 10 °.
- Asegúrese de que en el vehículo no haya ningún objeto que pudiera obstaculizar la fijación de la caja de distribución de aire ni la afluencia de aire refrigerado través de las boquillas distribuidoras orientables.
- No realice modificaciones en el aparato.
- No introduzca su vehículo en túneles de lavado automático si el equipo está instalado.
- Si se producen fallos en el circuito de refrigerante, un taller especializado deberá inspeccionar el sistema y repararlo debidamente.
- No deje que el refrigerante entre en contacto con el aire.
- Pregunte al fabricante del vehículo si la altura registrada en la documentación del mismo debe ser modificada al instalar el equipo de aire acondicionado de techo.

5 Volumen de entrega

 fig. 1 en la página 3  fig. 2 en la página 3

N.º en fig. 1, fig. 2	Cantidad	Descripción
1	1	Unidad superior del techo
2	1	Marco del techo
3	1	Caja de distribución de aire (ADB)
4	1	Cubierta central de la ADB
5	4	Secciones del conducto
6	3	Abrazaderas para cables
7	4	Pernos de fijación
8	1	Tapa de la caja

N.º en fig. 1, fig. 2	Cantidad	Descripción
9	1	Solo algunos modelos: Control remoto

6 Accesorios

Disponibles como artículos opcionales (no incluidos en el volumen de entrega):

Descripción	N.º de art.
Secciones de los conductos de extensión (cada sección cubre 10 mm adicionales)	4450017931
Pernos de fijación largos M6 x 160 mm (para grosores de techo de 60 ... 120 mm)	4450012023
Purificador de aire	4450029486
Calentador eléctrico	4450029487
Luz ambiental ADB	4450029488
Filtros para FreshJet FJX4233M	4450024007 4450024008
Filtros para FreshJet FJX4233EEH/FJX4333E(EH)/FJX7333IHP/FJX7337IHP/FJX7457IHP	4450025683

7 Uso previsto

El equipo de aire acondicionado de techo está diseñado exclusivamente para ser instalado en el techo de una caravana o vehículo habitable con el objetivo de proporcionar refrigeración y calefacción.

El equipo de aire acondicionado de techo **no** es adecuado para trenes, casas o apartamentos. El equipo de aire acondicionado de techo **no** es adecuado para ser instalado en máquinas de construcción, máquinas agrícolas o equipos similares.

Este producto solo es apto para el uso previsto y la aplicación de acuerdo con estas instrucciones.

Este manual proporciona la información necesaria para la correcta instalación y/o funcionamiento del producto. Una instalación deficiente y/o un uso y mantenimiento inadecuados conllevan un rendimiento insatisfactorio y posibles fallos.

El fabricante no se hace responsable de ninguna lesión o daño en el producto ocasionados por:

- Una instalación, un montaje o una conexión incorrectos, incluido un exceso de tensión
- Un mantenimiento incorrecto o el uso de piezas de repuesto distintas de las originales proporcionadas por el fabricante
- Modificaciones realizadas en el producto sin el expreso consentimiento del fabricante
- Uso con una finalidad distinta de la descrita en las instrucciones

Dometic se reserva el derecho de cambiar la apariencia y las especificaciones del producto.

8 Lista de modelos

Los modelos se diferencian entre los modelos mecánicos, de velocidad fija e inversor.

La siguiente tabla muestra qué funciones tiene cada modelo:

● Función disponible

○ Función implementable

	FJX4233M	FJX4233EEH	FJX4333EEH	FJX4333E	FJX7333IHP	FJX7337IHP	FJX7457IHP
	Mechanical (Mecánica)	Velocidad fija			Inversor		
Automático		●	●	●	●	●	●
Refrigeración	●	●	●	●	●	●	●
Calentar		●	●	○	●	●	●
Ventilación	●	●	●	●	●	●	●
Deshumidificación		●	●	●	●	●	●
Purificador de aire	○	●	●	○	●	●	●
Luz ADB		●	●	○	●	●	●
Luz externa					●	●	●
Temporizador		●	●	●	●	●	●
Sleep		●	●	●	●	●	●
Arranque suave			●	○	●	●	●

9 Explicación de los símbolos del aparato



A2L

¡Advertencia! Material de baja velocidad de combustión.



Lea las instrucciones de uso.



Lea el manual de servicio.

10 Límites y condiciones técnicas

El equipo de aire acondicionado de techo está diseñado para vehículos con techos con un grosor de 25 mm ... 60 mm. El equipo de aire acondicionado de la parte superior del techo funcionará a temperaturas ambiente comprendidas entre -2 °C ... 52 °C. El equipo de aire acondicionado de techo está diseñado para ser instalado a $\pm 10^\circ$ del plano horizontal.

11 Instalación



¡PELIGRO! Riesgo de electrocución

- El suministro de energía eléctrica en el vehículo habitable debe ser conectado por un electricista cualificado que tenga capacidad demostrada y conocimientos relacionados con la construcción y el funcionamiento de equipos e instalaciones eléctricas, y que haya recibido formación en materia de seguridad para identificar y evitar los peligros asociados.
- Desconecte siempre todas las fuentes de alimentación, incluyendo los inversores, mientras esté trabajando en el equipo de aire acondicionado de techo.
- Asegúrese de que no se pueda volver a conectar la fuente de alimentación del aparato durante la instalación ni el mantenimiento.



¡ADVERTENCIA! Riesgo de electrocución

- El aparato debe instalarse cumpliendo las normativas nacionales sobre cableado.
- Es necesario añadir los siguientes elementos en la instalación eléctrica de acuerdo con las normas de cableado: un dispositivo de corte omnipolar con distancias de seguridad de 3 mm en todos los polos; en caso de tener una corriente de fuga que pueda superar los 10 mA, un dispositivo diferencial residual (DDR) con una corriente de funcionamiento residual nominal que no supere los 30 mA; una desconexión.
- Si el aparato sustituye una ventanilla o trampilla con una función de ventilación forzada de seguridad, es necesario añadir un dispositivo de ventilación de seguridad adicional (por ejemplo, un ventilador de tipo seta o similar). En caso de duda, consulte al fabricante del vehículo.
- Después de instalar el equipo de aire acondicionado de techo, debe haber cerca del mismo una chimenea de escape que se eleve al menos 10 cm por encima de él. Si es necesario, prolongue la chimenea de escape. Consulte las instrucciones del fabricante de la calefacción.



¡ATENCIÓN! Peligro de sufrir lesiones

- Un montaje incorrecto del equipo de aire acondicionado de techo puede provocar daños irreparables en el aparato y poner en peligro la seguridad del usuario.
- Si necesita arrastrar o levantar el equipo, hágalo siempre con la ayuda de otra persona.
- Antes de instalar el aparato (cuando vaya a realizar perforaciones, al atornillar, etc.) compruebe la ubicación de los mazos de cables y otros componentes existentes en la zona de montaje, sobre todo los que no están a la vista.
- Conecte y tienda los cables de tal forma que no se pueda tropezar con ellos ni puedan resultar dañados.
- Utilice siempre gafas de seguridad y guantes de protección.



¡AVISO! Peligro de daños

- El aparato es un sistema estanco con un circuito de refrigeración cerrado. No lo abra ni manipule, a menos que sea un técnico debidamente cualificado.

- Utilice conductos para cables si va a tender cables por paredes con bordes afilados.
- No coloque cables sueltos ni muy doblados sobre materiales conductores de electricidad (metales).
- No someta los cables a tracción.
- Compruebe que el cableado no se vea afectado por rozamientos, corrosión, presión excesiva, vibraciones, bordes afilados u otros efectos ambientales adversos. Al realizar esta comprobación, tenga en cuenta también los efectos del envejecimiento o la vibración continua causada por compresores o ventiladores.
- Preste atención a las relaciones estáticas del techo del vehículo. El techo del vehículo debe poder soportar el peso del equipo de aire acondicionado sin hundirse ni deformarse. En caso de duda, consulte al fabricante del vehículo.

**NOTA**

- Encontrará las especificaciones del aparato en Datos técnicos y en las siguientes etiquetas de tipo:
- Etiqueta de tipo de la unidad superior del techo fig. **3**
- Etiqueta de tipo de la ADB fig. **4**



Encontrará más información sobre los equipos de aire acondicionado de techo en las instrucciones de uso, como la descripción técnica o los controles, véase qr.dometic.com/bdjin0x.



fig. **3** en la página 4 fig. **4** en la página 4

1. Elija cómo desea instalar el equipo de aire acondicionado de techo:
 - Practicando una abertura nueva. En este caso la abertura se debe reforzar con un marco apropiado.
 - Utilizando una abertura existente en el vehículo, como una escotilla de techo, o sustituyendo un antiguo equipo de aire acondicionado de techo.
 - Asegúrese de mantener las siguientes distancias:

Modelo	Altura del objeto < 60 mm	Altura del objeto > 60 mm			
	Los 4 lados	Derecha	Izquierda *	Parte trasera *	Parte delantera
FJX4333EEH	50 mm	150 mm	150 mm	150 mm	150 mm
FJX7333IHP	50 mm	150 mm	150 mm	150 mm	150 mm
FJX7337IHP	50 mm	300 mm	150 mm	150 mm	150 mm
FJX7457IHP	50 mm	300 mm	150 mm	150 mm	150 mm

* En este contexto, "izquierda" y "derecha" significa que se está mirando la unidad desde la parte delantera del vehículo.

- Asegúrese de mantener las siguientes distancias:

* En este contexto, "izquierda" y "derecha" significa que se está mirando la unidad desde la parte delantera del vehículo.

Practicar una nueva abertura

2. Elija una zona en el centro del techo situada entre dos perfiles longitudinales.
3. Marque la posición y el tamaño de la abertura (400 × 400 mm).

 **fig. 5 en la página 4**

4. Perfore las esquinas **(A)**.



¡AVISO! Peligro de daños

Asegúrese de que no haya ningún cable eléctrico dañado. Compruebe la ubicación de los cables eléctricos.

 **fig. 6 en la página 5**

5. Recorte cuidadosamente la abertura en el techo con una sierra de calar o una herramienta similar **(B)**.
6. Compruebe si es necesario reforzar la abertura practicada en el techo.
7. En caso necesario, retire el aislamiento de espuma en función de la anchura de sus guías de refuerzo (no incluidas en el volumen de entrega) **(A)**.

 **fig. 7 en la página 5**

8. Encaje las guías de refuerzo **(B)**.

Instalación en una abertura existente

9. Retire todos los tornillos y fijaciones de la escotilla de techo o del equipo de aire acondicionado existentes.

 **fig. 8 en la página 5**

10. Saque la escotilla o el equipo de aire acondicionado de techo.
11. Retire el material de sellado alrededor de la abertura utilizando un rascador o una herramienta similar.

 **fig. 9 en la página 5**

Tendido de cables de conexión

12. Compruebe que la tensión indicada en la etiqueta de tipo del equipo de aire acondicionado de techo sea la misma que la de la fuente de alimentación. El equipo de aire acondicionado de techo debe conectarse a un circuito eléctrico capaz de suministrar la corriente necesaria (Datos técnicos).
13. Asegúrese de que la red de alimentación tiene un interruptor diferencial residual (< 30 mA). Si no hay interruptor diferencial residual, instale uno.
14. Instale un interruptor omnipolar con una distancia de apertura de los contactos de al menos 3 mm en el lado de la instalación.
15. Seleccione la sección del cable de alimentación correspondiente a la longitud:
 - Longitud < 7,5 m: 1,5 mm²
 - Longitud > 7,5 m: 2,5 mm²
16. Practique una abertura en un lado para pasar el cable de alimentación.

 **fig. 10 en la página 5**

17. Introduzca el cable de alimentación en el interior del vehículo a través de la abertura.

Instalación de la unidad superior del techo

18. Selle en derredor de la parte inferior del marco del techo con un compuesto sellador de butilo flexible que no se endurezca (por ejemplo, SikaLastomer-710, Selleys Butyl Mastic, masilla selladora de butilo Bostik o productos similares). Siga también las indicaciones del fabricante del sellador.

 **fig. 11 en la página 6**

19. Oriente el marco del techo en función del tamaño de la abertura.
20. Coloque el marco en la abertura del techo.

 **fig. 12 en la página 6**

21. Suba la unidad superior al techo del vehículo. Tenga en cuenta el sentido de la marcha.
22. Coloque la unidad superior del techo en el marco del techo y alinéela con la ranura del marco. Para alinear la unidad con la ranura del marco del techo utilice las esquinas frontales del marco.

Conexión eléctrica

23. Conecte el cable de alimentación eléctrica.

 **fig. 13 en la página 7**

- a) Conecte los cables (1) a una abrazadera para cables (2).
 - b) Conecte el equipo de aire acondicionado de techo a la fuente de alimentación.
 - c) Conecte el cable de conexión a tierra al sistema de toma de tierra del vehículo.
24. **Solo modelos mecánicos:** Conecte el cable entre la unidad externa y el difusor de la caja de aire.
 - a) Tire ligeramente del filtro para originar un hueco destinado al cable de comunicación (3).
 - b) Pase el cable de a través del hueco y colóquelo en la abertura.
 - c) Conecte la clavija de comunicación de 6 pines en la caja de enchufe del lado de la pantalla en la ADB. Asegúrese de que el cable esté colocado en la pequeña abertura lejos de la zona del filtro.
 - d) Asegure el cable sobrante en los soportes.
 25. **Solo modelos de velocidad fija e inversor:** Conecte el cable de comunicación.
 - a) Tire ligeramente del filtro para originar un hueco destinado al cable de comunicación (4).
 - b) Pase el cable de comunicación a través del hueco y coloque el cable en la abertura.
 - c) Conecte la clavija de comunicación de 4 pines en la caja de enchufe del lado de la pantalla en la ADB. Asegúrese de que el cable esté colocado en la pequeña abertura lejos de la zona del filtro.
 - d) Asegure el cable sobrante en los soportes.

Instalación de la ADB

26. Apile las secciones del conducto de manera que cubran todo el grosor del techo. Asegúrese de que la altura del conducto coincide con la altura del techo o utilice la siguiente tabla como referencia.

 **fig. 14 en la página 8**

Grosor de techo	Número de secciones del conducto
25 ... 35 mm	1
35 ... 45 mm	2
45 ... 55 mm	3
55 ... 60 mm	4



NOTA Se pueden comprar secciones de conducto adicionales para techos más gruesos.

27. Añada a la ADB el número de secciones de conducto que se requiera.
28. Fije la ADB al techo a través de la unidad superior del techo con los 4 pernos suministrados. Apriete los tornillos con una llave dinamométrica aplicando un par de apriete de 2.5 Nm ± 0.3 Nm.

 **fig. 15 en la página 9**

29. Vuelva a introducir el filtro completamente.

 **fig. 16** en la página 9

30. Enganche la cubierta central a la ADB.

 **fig. 17** en la página 10

31. Pregunte al fabricante del vehículo si es necesario realizar una inspección técnica tras instalar un equipo de aire acondicionado de techo o cambiar los datos de altura registrados en la documentación del vehículo:

- FreshJet FJX4233, FreshJet FJX4333, FreshJet FJX7333: Altura añadida 225 mm
- FreshJet FJX7337: Altura añadida 242 mm
- FreshJet FJX7457: Altura añadida 283 mm

✓ El montaje está finalizado.

Conecte la fuente de alimentación y compruebe si el equipo de aire acondicionado de techo funciona.

12 Esquemas de conexiones

FJX4233M

 **fig. 18** en la página 10

FJX4233E, FJX4333E(EH), FJX7333IHP

 **fig. 19** en la página 11

FJX7333IHP

 **fig. 20** en la página 11

FJX7337IHP, FJX7457IHP

 **fig. 21** en la página 12

ADB

 **fig. 22** en la página 12

13 Eliminación



Si es posible, deseche el material de embalaje en los contenedores de reciclaje adecuados. Consultar con un punto limpio o con un distribuidor especializado para obtener más información sobre cómo eliminar el producto de acuerdo con las normativas aplicables de eliminación.



¡Proteja el medio ambiente! Las baterías y pilas no son basura doméstica. Entregue las baterías defectuosas o usadas en un establecimiento especializado o depositelas en un punto de recogida de residuos.

14 Datos técnicos

 fig. 23 en la página 13  fig. 24 en la página 13  fig. 25 en la página 13

 fig. 26 en la página 14

Contiene gases de efecto invernadero fluorados. Equipo herméticamente sellado.

Por el presente documento, Dometic declara que este aparato con equipo radioeléctrico cumple con la directiva 2014/53/EU. El texto completo de la declaración de conformidad de la UE está disponible en la siguiente dirección de Internet <http://documents.dometic.com>.

	FreshJet FJX4233M
Potencia de refrigeración de conformidad con ISO 5151:	1500 W
Tensión de entrada de CA:	220 V ... 240 V / 50 Hz
Corriente nominal de refrigeración:	3,1 A
Fusible necesario:	Mín. 4 A, máx. 16 A
Rango de temperatura de funcionamiento:	-2 °C ... 52 °C
Refrigerante:	R410a
Cantidad de refrigerante:	380 g
Equivalente de CO ₂ :	0,793 t
Índice GWP (Global warming potential):	2088
Clase de protección (unidad superior de techo):	IPX4
Nivel de ruido (máximo nivel del ventilador)	< 70 dB(A)
Frecuencia	2,4 GHz
Potencia máxima de radiofrecuencia	19,14 dBm
Longitud máxima recomendada del vehículo (con paredes aisladas):	≤ 5 m
Dimensiones L x An x Al:	fig. 26
Peso:	< 30 kg
Inspección/certificados:	CE UK

	FreshJet FJX4233EEH	FreshJet FJX4333EEH	FreshJet FJX4333E
Potencia de refrigeración de conformidad con ISO 5151:	1700 W	2200 W	2200 W
Potencia de calefacción de conformidad con ISO 5151:	800 W	1000 W	–
Tensión de entrada de CA:	220 V ... 240 V / 50 Hz		

	FreshJet FJX4233EEH	FreshJet FJX4333EEH	FreshJet FJX4333E
Corriente de refrigeración nominal:	3,4 A	4,6 A	4,6 A
Corriente de calefacción nominal:	3,7 A	4,4 A	-
Fusible necesario:	Mín. 4 A, máx. 16 A	Mín. 5 A, máx. 16 A	Mín. 5 A, máx. 16 A
Rango de temperatura de funcionamiento:	-2 °C ... 52 °C		
Refrigerante:	R32		
Cantidad de refrigerante:	320 g	360 g	360 g
Equivalente de CO ₂ :	0,216 t	0,243 t	0,243 t
Índice GWP (Global warming potential):	675		
Clase de protección (unidad superior de techo):	IPX4		
Nivel de ruido (máximo nivel del ventilador)	< 70 dB(A)		
Frecuencia	2,4 GHz		
Potencia máxima de radiofrecuencia	19,14 dBm		
Longitud máxima recomendada del vehículo (con paredes aisladas):	≤ 6 m	≤ 7 m	≤ 7 m
Dimensiones L x An x Al:	fig. 24		
Peso:	< 30 kg	< 30 kg	< 30 kg
Inspección/certificados:	CE UK		
	FreshJet FJX7333IHP	FreshJet FJX7337IHP	FreshJet FJX7457IHP
Potencia de refrigeración de conformidad con ISO 5151:	2200 W	3000 W	3500 W
Potencia de calefacción de conformidad con ISO 5151:	2000 W	2500 W	3000 W
Tensión de entrada de CA:	220 V ... 240 V / 50 Hz ... 60 Hz		
Corriente nominal de refrigeración:	< 5,9 A	< 7,3 A	< 7,5 A
Corriente nominal de calefacción:	< 3,7 A	< 5,9 A	< 6,5 A
Fusible necesario:	Mín. 6 A, máx. 16 A	Mín. 8 A, máx. 16 A	Mín. 8 A, máx. 16 A
Rango de temperatura de funcionamiento:	-2 °C ... 52 °C		
Refrigerante:	R32		
Cantidad de refrigerante:	400 g	480 g	650 g
Equivalente de CO ₂ :	0,270 t	0,324 t	0,439 t

	FreshJet FJX7333IHP	FreshJet FJX7337IHP	FreshJet FJX7457IHP
Índice GWP (Global warming potential):	675		
Clase de protección (unidad superior de techo):	IPX4		
Nivel de ruido (máximo nivel del ventilador)	< 70 dB(A)		
Frecuencia	2,4 GHz		
Potencia máxima de radiofrecuencia	19,14 dBm		
Longitud máxima recomendada del vehículo (con paredes aisladas):	≤ 7 m	≤ 7 m	> 8 m
Dimensiones L x An x Al:	fig. 24	fig. 25	fig. 26
Peso:	< 30 kg	< 35 kg	< 40 kg
Inspección/certificados:	CE UK		

Português

1	Notas importantes.....	66
2	Explicação dos símbolos.....	66
3	Destinatários.....	67
4	Indicações de segurança.....	67
5	Material fornecido.....	68
6	Acessórios.....	69
7	Utilização adequada.....	69
8	Lista de modelos.....	69
9	Explicação dos símbolos no aparelho.....	70
10	Limites e condições técnicas.....	70
11	Instalação.....	71
12	Esquemas de ligações.....	75
13	Eliminação.....	75
14	Dados técnicos.....	75

1 Notas importantes

Leia atentamente as presentes instruções e siga todas as instruções, orientações e avisos incluídos neste manual, de modo a garantir a correta instalação, utilização e manutenção do produto. É OBRIGATÓRIO manter estas instruções junto com o produto.

Ao utilizar o produto, está a confirmar que leu atentamente todas as instruções, orientações e avisos, e que compreende e aceita cumprir os termos e condições estabelecidos no presente manual. Aceita utilizar este produto exclusivamente para o fim e a aplicação a que se destina e de acordo com as instruções, orientações e avisos estabelecidos neste manual, assim como de acordo com todas as leis e regulamentos aplicáveis. Caso não leia nem siga as instruções e os avisos aqui estabelecidos, poderá sofrer ferimentos pessoais ou causar ferimentos a terceiros e o produto ou outros materiais nas proximidades poderão ficar danificados. Este manual do produto, incluindo as instruções, orientações e avisos, bem como a documentação relacionada, podem estar sujeitos a alterações e atualizações. Para consultar as informações atualizadas do produto, visite documents.dometic.com.

2 Explicação dos símbolos



PERIGO!

indica uma situação perigosa que, se não for evitada, resultará em morte ou ferimentos graves.



AVISO!

Indica uma situação perigosa que, se não for evitada, pode causar a morte ou ferimentos graves.



PRECAUÇÃO!

Indica uma situação perigosa que, se não for evitada, pode causar ferimentos ligeiros ou moderados.



NOTA!

Indica uma situação que, se não for evitada, pode causar danos materiais.



OBSERVAÇÃO Informações complementares para a utilização do produto.

3 Destinatários



A ligação elétrica tem que ser efetuada por um eletricista especializado que possua os conhecimentos e as competências necessários para a construção e operação de instalações e equipamentos elétricos e que tenha formação em segurança relativamente à identificação e prevenção dos perigos envolvidos.



A instalação mecânica tem de ser realizada por uma pessoa com qualificação adequada e que esteja familiarizada com a construção e a operação do equipamento e com os perigos inerentes.

4 Indicações de segurança



AVISO! O incumprimento destes avisos poderá resultar em morte ou ferimentos graves.

- O aparelho só pode ser reparado por técnicos familiarizados com os perigos inerentes e com as normas em vigor. Reparações inadequadas podem originar perigos graves. Em caso de reparação, entre em contacto com o centro de assistência técnica do seu país (consulte dometic.com/dealer).
- O aparelho deve ser instalado em conformidade com os regulamentos nacionais aplicáveis de instalação elétrica e mecânica.
- **Os aparelhos elétricos não são um brinquedo.** As crianças não conseguem avaliar adequadamente os perigo decorrentes dos equipamentos elétricos. Não permita que as crianças utilizem equipamentos elétricos sem supervisão.
- As pessoas que não estão aptas a utilizar o aparelho de modo seguro devido a incapacidade física, sensorial ou mental ou devido à sua inexperiência, não devem utilizar o aparelho sem a supervisão ou as instruções de uma pessoa responsável.
- Em caso de incêndio, **não** retire a tampa superior do aparelho. Utilize agentes de extinção aprovados. Não utilize água para apagar incêndios.
- O aparelho deve ser armazenado numa divisão sem chamas sem proteção (por exemplo, um aparelho a gás) nem fontes de ignição em funcionamento contínuo (por exemplo, um aquecedor elétrico).
- O aparelho deve ser armazenado em posição horizontal num local seco, ventilado e abrigado.
- Não fure nem queime o aparelho.
- Lembre-se de que os refrigerantes podem ser inodoros.
- O sistema de ar condicionado de tejadilho deve ser instalado num veículo com uma área útil superior a 4 m².



PRECAUÇÃO! O incumprimento destas advertências poderá resultar em ferimentos ligeiros ou moderados.

- Utilize o aparelho apenas se tiver a certeza de que a caixa e os cabos não estão danificados.
- Não coloque o aparelho próximo de líquidos inflamáveis nem em espaços fechados.
- Certifique-se de que não há objetos inflamáveis armazenados ou instalados nas proximidades da saída de ar. Deve ser mantida uma distância de, pelo menos, 50 cm.
- Não coloque as mãos nas saídas de ar e não insira objetos estranhos no aparelho.

- Utilize sempre óculos e luvas de proteção.



NOTA! Risco de danos

- O aparelho atinge o seu funcionamento ótimo com 1020 mbar.
- O aparelho deve ser armazenado de modo a evitar danos mecânicos.
- Antes de instalar, verifique se a instalação do aparelho pode danificar quaisquer componentes do veículo (por exemplo, lâmpadas, armários, portas). É provável que o fabricante do veículo já tenha fornecido pontos nos quais pode ser realizada a abertura para a montagem do aparelho sem o risco de enfraquecer a estrutura ou de corte dos cabos elétricos.
- Antes da instalação, esclareça junto do fabricante automóvel se a estrutura foi concebida para o peso estático e as cargas do sistema de ar condicionado de tejadilho com o veículo em movimento.
- Certifique-se de que a moldura do tejadilho está bem selada ao tejadilho.
- Selecione como lugar de montagem uma zona plana e suficientemente lisa no centro do tejadilho do veículo, entre dois perfis longitudinais.
- A inclinação do tejadilho na superfície de montagem não deve ser superior a 10 °.
- Assegure que não existe nenhum objeto no interior do veículo que impeça a fixação da caixa de distribuição de ar e a saída de ar refrigerado através dos bocais de distribuição de ar basculáveis.
- Não deve executar quaisquer alterações ou modificações no aparelho!
- Nunca lave o veículo em sistemas de lavagem automáticos com o aparelho montado.
- Se ocorrerem falhas no circuito de refrigeração, o sistema deve ser verificado e devidamente reparado por uma empresa especializada.
- O agente de refrigeração não pode ser libertado para o ar.
- Esclareça junto do fabricante do veículo se a altura indicada nos documentos do seu veículo tem de ser alterada devido à instalação do sistema de ar condicionado de tejadilho.

5 Material fornecido

 fig. 1 na página 3  fig. 2 na página 3

N.º na fig. 1, fig. 2	Quantidade	Descrição
1	1	Unidade de tejadilho
2	1	Moldura do tejadilho
3	1	Caixa de distribuição de ar (ADB)
4	1	Tampa do centro da ADB
5	4	Secções de conduta
6	3	Conectores de cabo
7	4	Parafusos de fixação
8	1	Cobertura da caixa
9	1	Apenas alguns modelos: Controlo remoto

6 Acessórios

Disponível como acessório (não incluído no material fornecido):

Descrição	N.º art.
Secções de conduta para extensão (cada secção cobre 10 mm adicionais)	4450017931
Parafusos de fixação mais longos M6 x 160 mm (para espessuras do tejadilho de 60 ... 120 mm)	4450012023
Purificador de ar	4450029486
Aquecedor elétrico	4450029487
Luz ambiente ADB	4450029488
Filtros para FreshJet FJX4233M	4450024007 4450024008
Filtros para FreshJet FJX4233EEH/FJX4333E(EH)/FJX7333IHP/FJX7337IHP/FJX7457IHP	4450025683

7 Utilização adequada

O sistema de ar condicionado de tejadilho foi concebido exclusivamente para a instalação no tejadilho de uma caravana ou de um veículo de recreio para fornecer refrigeração e aquecimento.

O sistema de ar condicionado de tejadilho **não** é adequado para comboios, casas e apartamentos. O sistema de ar condicionado de tejadilho **não** é adequado para a montagem em máquinas para a construção civil, máquinas agrícolas ou equipamentos de trabalho semelhantes.

Este produto destina-se exclusivamente à aplicação e aos fins pretendidos com base nestas instruções.

Este manual fornece informações necessárias para proceder a uma instalação e/ou a uma operação adequadas do produto. Uma instalação e/ou uma operação ou manutenção incorretas causarão um desempenho insatisfatório e uma possível avaria.

O fabricante não aceita qualquer responsabilidade por danos ou prejuízos no produto resultantes de:

- Instalação, montagem ou conexão incorretas, incluindo sobretensões
- Manutenção incorreta ou utilização de peças sobressalentes não originais fornecidas pelo fabricante
- Alterações ao produto sem autorização expressa do fabricante
- Utilização para outras finalidades que não as descritas no presente manual

A Dometic reserva-se o direito de alterar o design e as especificações do produto.

8 Lista de modelos

Os modelos distinguem-se entre modelos mecânicos, de inversor e de velocidade fixa.

A tabela seguinte indica que função se aplica a cada modelo específico:

● Função disponível

○ Função atualizável

	FJX4233M	FJX4233E-EH	FJX4333E-EH	FJX4333E	FJX7333IHP	FJX7337IHP	FJX7457IHP
	Mecânico	Velocidade fixa			Inversor		
Automático		●	●	●	●	●	●
Refrigeração	●	●	●	●	●	●	●
Aquecimento		●	●	○	●	●	●
Ventilação	●	●	●	●	●	●	●
Desumidificação		●	●	●	●	●	●
Purificador de ar	○	●	●	○	●	●	●
Lâmpada ADB		●	●	○	●	●	●
Luz exterior					●	●	●
Temporizador		●	●	●	●	●	●
Sleep		●	●	●	●	●	●
Soft Start			●	○	●	●	●

9 Explicação dos símbolos no aparelho



Atenção! Material com velocidade de combustão baixa.



Leia o manual de instruções.



Leia o manual de manutenção.

10 Limites e condições técnicas

O sistema de ar condicionado de tejadilho está concebido para veículos com tejadilhos com uma espessura de 25 mm ... 60 mm. O ar condicionado de tejadilho funciona com temperaturas ambiente entre -2 °C ... 52 °C. O sistema de ar condicionado de tejadilho está concebido para ser instalado a ± 10 ° do plano horizontal.

11 Instalação



PERIGO! Risco de eletrocussão

- A ligação elétrica no veículo de recreio tem que ser efetuada por um eletricista especializado que possua os conhecimentos e as competências necessárias para a construção e operação de instalações e equipamentos elétricos e que tenha formação em segurança relativamente à identificação e prevenção dos perigos envolvidos.
- Durante os trabalhos no sistema de ar condicionado de tejadilho, desligue todas as fontes de alimentação, incluindo os inversores.
- Certifique-se de que não é possível ligar novamente a fonte de alimentação do aparelho durante a instalação ou a manutenção.



AVISO! Risco de eletrocussão

- A instalação elétrica do aparelho deve ser efetuada em conformidade com os regulamentos nacionais aplicáveis.
- Os elementos seguintes têm de ser integrados na cablagem fixa, de acordo com as normas de cablagem: Um seccionador omnipolar com distâncias de, pelo menos, 3 mm em todos os polos; no caso de existir uma corrente de fuga que possa exceder 10 mA, um dispositivo de corrente residual (RCD), em caso de uma corrente nominal de funcionamento residual que não exceda 30 mA; uma desconexão.
- Se o aparelho substituir uma janela ou escotilha com uma função de ventilação forçada importante para a segurança, é necessário adicionar um aparelho de ventilação de segurança extra (p. ex., um ventilador de tipo cogumelo ou semelhante). Em caso de dúvida, consulte o fabricante do veículo.
- Depois da instalação do sistema de ar condicionado de tejadilho, uma chaminé de exaustão nas proximidades do sistema de ar condicionado de tejadilho tem de estar pelo menos 10 cm acima do sistema instalado. Se for necessário, prolongar a chaminé de exaustão. Preste atenção às indicações do fabricante do aquecimento.



PRECAUÇÃO! Perigo de ferimentos

- Uma montagem incorreta do sistema de ar condicionado de tejadilho pode causar danos irreparáveis no aparelho e comprometer a segurança do utilizador.
- Transporte ou eleve o sistema de ar condicionado de tejadilho sempre com a ajuda de outra pessoa.
- Antes da instalação, verifique a localização dos chicotes de cabos existentes, dos cabos e de outros componentes na área de instalação, em especial, dos componentes não visíveis durante a instalação (ao furar ou aparafusar, etc.).
- Fixe os cabos e coloque-os de modo a excluir riscos de tropeções e de danos.
- Utilize sempre os óculos e as luvas de proteção.



NOTA! Risco de danos

- O aparelho é um sistema estanque com um circuito de refrigeração fechado. Não abra nem manipule o aparelho, exceto se for um técnico com qualificações adequadas.
- Se os cabos tiverem de ser passados por paredes com arestas afiadas, utilize tubos vazios ou tubos de passar cabos!
- Não coloque os cabos soltos ou dobrados junto de materiais eletrocondutores (metal).
- Não puxe pelos cabos.
- Certifique-se de que os cabos não estarão sujeitos a desgaste, corrosão, pressão excessiva, vibrações, arestas pontiagudas ou outros impactos ambientais negativos. Esta verificação deve igual-

mente considerar os efeitos do envelhecimento ou da vibração contínua provocados por fontes como compressores ou ventiladores.

- Tenha em atenção a resistência estrutural do tejadilho do veículo. O tejadilho do veículo deve poder suportar o peso do sistema de ar condicionado de tejadilho sem ficar comprimido ou deformado. Em caso de dúvida, consulte o fabricante do veículo.



OBSERVAÇÃO

- Encontrará as especificações do aparelho em **Dados técnicos** e nas seguintes placas de características:
- Placa de características da unidade de tejadilho **fig. 3**
- Placa de características ADB **fig. 4**



Para mais informações sobre o sistema de ar condicionado de tejadilho, tais como a descrição técnica ou os elementos de controlo, consulte o manual de instruções qr.dometic.com/bdijN0x.



fig. 3 na página 4 **fig. 4** na página 4

1. Escolha como pretende montar o sistema de ar condicionado de tejadilho:

- Criar uma nova abertura. Neste caso, a abertura deve ser reforçada por uma moldura adequada.
- Utilizar uma abertura já existente no veículo, tal como uma escotilha de tejadilho, ou substituir um sistema de ar condicionado antigo.
- Certifique-se de cumprir as seguintes distâncias:

Modelo	Altura do objeto < 60 mm	Altura do objeto > 60 mm			
	Nos 4 lados	Lado direito	Lado esquerdo *	Parte traseira *	Parte dianteira
FJX4333EEH	50 mm	150 mm	150 mm	150 mm	150 mm
FJX7333IHP	50 mm	150 mm	150 mm	150 mm	150 mm
FJX7337IHP	50 mm	300 mm	150 mm	150 mm	150 mm
FJX7457IHP	50 mm	300 mm	150 mm	150 mm	150 mm

* Neste contexto, "lado esquerdo" e "lado direito" referem-se ao lado respetivo quando olha para a unidade a partir da parte dianteira do veículo.

- Certifique-se de cumprir as seguintes distâncias:

* Neste contexto, "lado esquerdo" e "lado direito" referem-se ao lado respetivo quando olha para a unidade a partir da parte dianteira do veículo.

Criar uma nova abertura

2. Selecione uma zona no centro do tejadilho entre dois perfis longitudinais.
3. Trace a posição e o tamanho da abertura (400 × 400 mm).

fig. 5 na página 4

4. Faça os furos nos cantos (A).

**NOTA! Risco de danos**

Certifique-se de que nenhum cabo elétrico é danificado. Verifique onde estão localizados os cabos elétricos.

fig. 6 na página 5

5. Recorte cuidadosamente a abertura no tejadilho com uma serra tico-tico ou semelhante **(B)**.
6. Verifique se a abertura no tejadilho tem de ser reforçada.
7. Se necessário, retire a espuma ao longo de toda a largura das guias de reforço (não incluídas no material fornecido) **(A)**.

fig. 7 na página 5

8. Ajuste as guias de reforço **(B)**.

Montar numa abertura existente

9. Retire todos os parafusos e fixações da escotilha ou do sistema de ar condicionado de tejadilho.

fig. 8 na página 5

10. Remova a escotilha ou o sistema de ar condicionado de tejadilho.
11. Retire a massa de vedação à volta com um raspador ou uma ferramenta semelhante.

fig. 9 na página 5
Instalar os cabos de ligação

12. Verifique se a especificação de tensão na placa de características do sistema de ar condicionado de tejadilho corresponde à da fonte de alimentação existente. O sistema de ar condicionado de tejadilho tem de ser ligado a um circuito elétrico apto a fornecer a corrente necessária (Dados técnicos).
13. Certifique-se de que a fonte de alimentação está protegida por um disjuntor de tensão residual (< 30 mA). Se não for esse o caso, instale o disjuntor de corrente residual.
14. Do lado da montagem, instale um interruptor omnipolar com uma abertura de contacto com, pelo menos, 3 mm de largura.
15. Selecione a secção transversal do cabo da fonte de alimentação de acordo com o comprimento:
 - Comprimento < 7,5 m: 1,5 mm²
 - Comprimento > 7,5 m: 2,5 mm²
16. Crie uma abertura num dos lados de forma a passar o cabo da fonte de alimentação.

fig. 10 na página 5

17. Passe o cabo da fonte de alimentação pela abertura até ao interior do veículo.

Instalar a unidade de tejadilho

18. Vede a área à volta da parte de baixo da moldura do tejadilho com um material selante butílico flexível que não endureça (p. ex., SikaLastomer-710, mástique butílico Selleys, massa de vedação butílica Bostik EzyCaulk ou produtos semelhantes). Tenha em atenção as instruções do fabricante da massa de vedação.

fig. 11 na página 6

19. Oriente a moldura do tejadilho com base no tamanho da abertura.
20. Ajuste a moldura do tejadilho à abertura do tejadilho.

fig. 12 na página 6

21. Eleve a unidade de tejadilho para cima do tejadilho do veículo. Tenha em conta o sentido de direção da condução.

22. Posicione a unidade de tejadilho na moldura do tejadilho e alinhe-a na ranhura da moldura do tejadilho. Para alinhar a unidade na ranhura da moldura do tejadilho, utilize os cantos na frente da moldura.

Ligação elétrica

23. Ligue o cabo da fonte de alimentação.

 **fig. 13 na página 7**

- Ligue os cabos correspondentes (1) a cada um dos conectores de cabo (2).
 - Ligue o sistema de ar condicionado de tejadilho à fonte de alimentação.
 - Ligue o cabo de terra à massa do veículo.
24. **Apenas modelos mecânicos:** Ligue o cabo entre a unidade exterior e o difusor da caixa de ar.
- Puxe o filtro ligeiramente para fora para criar uma folga para passar o cabo de comunicação (3).
 - Passo o cabo pela folga e localize o cabo na abertura.
 - Ligue a ficha de comunicação de 6 pinos à tomada no lado do monitor na ADB. Certifique-se de que o cabo se encontra no interior da pequena abertura, afastado da área de filtro.
 - Fixe o excesso do cabo nos suportes.
25. **Apenas modelos de inversor e velocidade fixa:** Ligue o cabo de comunicação.
- Puxe o filtro ligeiramente para fora para criar uma folga para passar o cabo de comunicação (4).
 - Passo o cabo de comunicação pela folga e localize o cabo na abertura.
 - Ligue a ficha de comunicação de 4 pinos à tomada no lado do monitor na ADB. Certifique-se de que o cabo se encontra no interior da pequena abertura, afastado da área de filtro.
 - Fixe o excesso do cabo nos suportes.

Instalar a ADB

26. Empilhe as secções de conduta e compare com a espessura do tejadilho: certifique-se de que a altura da conduta corresponde à altura do tejadilho ou utilize a tabela como guia.

 **fig. 14 na página 8**

Espessura do tejadilho	Número de secções de conduta:
25 ... 35 mm	1
35 ... 45 mm	2
45 ... 55 mm	3
55 ... 60 mm	4



OBSERVAÇÃO É possível adquirir secções de conduta adicionais para tejadilhos mais espessos.

27. Fixe as secções de conduta necessárias à ADB.
28. Fixe a ADB ao teto através da unidade de tejadilho com os 4 parafusos fornecidos. Aperte os parafusos com uma chave de boca e um binário de aperto de $2.5 \text{ Nm} \pm 0.3 \text{ Nm}$.

 **fig. 15 na página 9**

29. Empurre o filtro totalmente para dentro.

 **fig. 16 na página 9**

30. Engate a cobertura central na ADB.

 **fig. 17 na página 10**

31. Informe-se junto do fabricante do veículo se é necessário realizar uma inspeção técnica após instalar um sistema de ar condicionado de tejadilho e se é necessário proceder à alteração da altura do veículo na documentação do mesmo:

- FreshJet FJX4233, FreshJet FJX4333, FreshJet FJX7333: Altura aumentada 225 mm
- FreshJet FJX7337: Altura aumentada 242 mm
- FreshJet FJX7457: Altura aumentada 283 mm

✓ O processo de montagem está agora concluído.

Ligue à fonte de alimentação e teste se o sistema de ar condicionado de tejadilho funciona.

12 Esquemas de ligações

FJX4233M

 fig. 18 na página 10

FJX4233E, FJX4333E(EH), FJX7333IHP

 fig. 19 na página 11

FJX7333IHP

 fig. 20 na página 11

FJX7337IHP, FJX7457IHP

 fig. 21 na página 12

ADB

 fig. 22 na página 12

13 Eliminação



Sempre que possível, coloque o material de embalagem no respetivo contentor de reciclagem. Informe-se junto do centro de reciclagem ou revendedor mais próximo sobre como eliminar este produto de acordo com as disposições de eliminação aplicáveis.



Proteja o meio ambiente! Os acumuladores e pilhas não devem ser eliminados juntamente com o lixo doméstico. Entregue os seus acumuladores danificados ou pilhas gastas numa loja ou centro de recolha.

14 Dados técnicos

 fig. 23 na página 13  fig. 24 na página 13  fig. 25 na página 13  fig. 26 na página 14

Contém gases fluorados com efeito de estufa. Equipamento hermeticamente selado.

Com a presente, a Dometic declara que este equipamento de rádio cumpre a Diretiva 2014/53/UE. O texto integral da declaração de conformidade UE está disponível no seguinte endereço de Internet <http://documents.dometic.com>.

	FreshJet FJX4233M
Potência de refrigeração conforme ISO 5151:	1500 W
Tensão de entrada CA:	220 V ... 240 V / 50 Hz
Corrente nominal para refrigeração:	3,1 A
Fusível necessário:	Mín. 4 A, máx. 16 A
Intervalo de temperatura de funcionamento:	-2 °C ... 52 °C
Agente de refrigeração:	R410a
Quantidade de agente de refrigeração:	380 g
Equivalente a CO ₂ :	0,793 t
Potencial de aquecimento global (PAG):	2088
Classe de proteção (unidade de tejadilho):	IPX4
Nível de ruídos (definição máxima do ventilador)	< 70 dB(A)
Frequência	2,4 GHz
Potência máxima de radiofrequência	19,14 dBm
Comprimento do veículo máx. sugerido (com paredes isoladas):	≤ 5 m
Dimensões CxLxA:	fig. 23
Peso:	< 30 kg
Inspeção/certificação:	CE UK

	FreshJet FJX4233EEH	FreshJet FJX4333EEH	FreshJet FJX4333E
Potência de refrigeração conforme ISO 5151:	1700 W	2200 W	2200 W
Potência de aquecimento conforme ISO 5151:	800 W	1000 W	-
Tensão de entrada CA:	220 V ... 240 V / 50 Hz		
Corrente de refrigeração estipulada:	3,4 A	4,6 A	4,6 A
Corrente de aquecimento estipulada:	3,7 A	4,4 A	-
Fusível necessário:	Mín. 4 A, máx. 16 A	Mín. 5 A, máx. 16 A	Mín. 5 A, máx. 16 A

	FreshJet FJX4233EEH	FreshJet FJX4333EEH	FreshJet FJX4333E
Intervalo de temperatura de funcionamento:	-2 °C ... 52 °C		
Agente de refrigeração:	R32		
Quantidade de agente de refrigeração:	320 g	360 g	360 g
Equivalente a CO ₂ :	0,216 t	0,243 t	0,243 t
Potencial de aquecimento global (PAG):	675		
Classe de proteção (unidade de tejadilho):	IPX4		
Nível de ruídos (definição máxima do ventilador):	< 70 dB(A)		
Frequência	2,4 GHz		
Potência máxima de radiofrequência	19,14 dBm		
Comprimento do veículo máx. sugerido (com paredes isoladas):	≤ 6 m	≤ 7 m	≤ 7 m
Dimensões CxLxA:	fig. 24		
Peso:	< 30 kg	< 30 kg	< 30 kg
Inspeção/certificação:	CE UK		
	FreshJet FJX7333IHP	FreshJet FJX7337IHP	FreshJet FJX7457IHP
Potência de refrigeração conforme ISO 5151:	2200 W	3000 W	3500 W
Potência de aquecimento conforme ISO 5151:	2000 W	2500 W	3000 W
Tensão de entrada CA:	220 V ... 240 V / 50 Hz ... 60 Hz		
Corrente nominal para refrigeração:	< 5,9 A	< 7,3 A	< 7,5 A
Corrente nominal para aquecimento:	< 3,7 A	< 5,9 A	< 6,5 A
Fusível necessário:	Min. 6 A, max. 16 A	Min. 8 A, max. 16 A	Min. 8 A, max. 16 A
Intervalo de temperatura de funcionamento:	-2 °C ... 52 °C		
Agente de refrigeração:	R32		
Quantidade de agente de refrigeração:	400 g	480 g	650 g
Equivalente a CO ₂ :	0,270 t	0,324 t	0,439 t
Potencial de aquecimento global (PAG):	675		

PT Dometic FJX

	FreshJet FJX7333IHP	FreshJet FJX7337IHP	FreshJet FJX7457IHP
Classe de proteção (unidade de tejadilho):	IPX4		
Nível de ruídos (definição máxima do ventilador)	< 70 dB(A)		
Frequência	2,4 GHz		
Potência máxima de radio-frequência	19,14 dBm		
Comprimento do veículo máx. sugerido (com paredes isoladas):	≤ 7 m	≤ 7 m	> 8 m
Dimensões CxLxA:	fig. 24	fig. 25	fig. 26
Peso:	< 30 kg	< 35 kg	< 40 kg
Inspeção/certificação:	CE UK		

Italiano

1	Note importanti.....	79
2	Spiegazione dei simboli.....	79
3	Destinatari.....	80
4	Istruzioni per la sicurezza.....	80
5	Dotazione.....	81
6	Accessori.....	82
7	Destinazione d'uso.....	82
8	Elenco dei modelli.....	83
9	Spiegazioni dei simboli sull'apparecchio.....	83
10	Limiti tecnici e condizioni.....	84
11	Installazione.....	84
12	Schemi di collegamento.....	88
13	Smaltimento.....	88
14	Specifiche tecniche.....	88

1 Note importanti

Si prega di leggere attentamente e di seguire tutte le istruzioni, le linee guida e le avvertenze incluse in questo manuale del prodotto, al fine di garantire che il prodotto venga sempre installato, utilizzato e mantenuto nel modo corretto. Queste istruzioni DEVONO essere conservate insieme al prodotto.

Utilizzando il prodotto, l'utente conferma di aver letto attentamente tutte le istruzioni, le linee guida e le avvertenze e di aver compreso e accettato di rispettare i termini e le condizioni qui espressamente indicati. L'utente accetta di utilizzare questo prodotto solo per lo scopo e l'applicazione previsti e in conformità con le istruzioni, le linee guida e le avvertenze indicate nel presente manuale del prodotto, nonché in conformità con tutte le leggi e i regolamenti applicabili. La mancata lettura e osservanza delle istruzioni e delle avvertenze qui espressamente indicate può causare lesioni personali e a terzi, danni al prodotto o ad altre proprietà nelle vicinanze. Il presente manuale del prodotto, comprese le istruzioni, le linee guida e le avvertenze e la relativa documentazione possono essere soggetti a modifiche e aggiornamenti. Per informazioni aggiornate sul prodotto, visitare documents.dometic.com.

2 Spiegazione dei simboli



PERICOLO!

indica una situazione di pericolo che, se non evitata, provoca lesioni gravi o mortali.



AVVERTENZA!

indica una situazione di pericolo che, se non evitata, potrebbe provocare lesioni gravi o mortali.



ATTENZIONE!

indica una situazione di pericolo che, se non evitata, potrebbe provocare lesioni di entità lieve o moderata.



AVVISO!

Indica una situazione di pericolo che, se non evitata, può provocare danni alle cose.



NOTA Informazioni integranti relative all'impiego del prodotto.

3 Destinatari



L'alimentazione elettrica deve essere collegata da un elettricista qualificato che abbia dimostrato di possedere abilità e conoscenze sulla costruzione e il funzionamento di apparecchiature elettriche e installazioni e abbia ricevuto la formazione sulla sicurezza per identificare ed evitare i pericoli correlati.



L'installazione meccanica deve essere eseguita da personale qualificato che abbia familiarità con la struttura e il funzionamento dell'apparecchiatura e con i pericoli associati.

4 Istruzioni per la sicurezza



AVVERTENZA! La mancata osservanza di queste avvertenze potrebbe causare la morte o lesioni gravi.

- Le riparazioni dell'apparecchio devono essere eseguite solo da personale qualificato che abbia familiarità con i rischi e con le norme vigenti in materia. Le riparazioni effettuate in modo scorretto possono causare gravi pericoli. Per il servizio di riparazione, contattare il centro di assistenza del proprio Paese (vedere dometic.com/dealer).
- L'apparecchio deve essere installato in conformità alle norme nazionali in materia di installazione elettrica e meccanica.
- **Gli apparecchi elettrici non sono giocattoli.** I bambini non sono in grado di valutare correttamente i pericoli connessi con gli apparecchi elettrici. Non permettere l'uso di apparecchi elettrici ai bambini se non in presenza di adulti.
- Le persone che, a causa delle proprie capacità fisiche, sensoriali o mentali oppure della propria inesperienza o scarsa conoscenza non siano in grado di utilizzare l'apparecchio modo sicuro, devono evitare di utilizzarlo se non in presenza e seguendo le istruzioni di una persona per loro responsabile.
- In caso d'incendio **non** rimuovere il coperchio superiore dell'apparecchio. Utilizzare agenti estinguenti approvati. Non tentare di estinguere l'incendio con acqua.
- L'apparecchio deve essere conservato in una stanza senza fiamme libere (ad esempio un apparecchio a gas in funzione) e fonti di accensione (ad esempio un riscaldatore elettrico in funzione).
- L'apparecchio deve essere conservato in posizione orizzontale in un luogo asciutto, ventilato e coperto.
- Non forare o bruciare l'apparecchio.
- Tenere presente che i refrigeranti possono essere inodori.
- Il climatizzatore deve essere installato su un veicolo con un'area del pavimento superiore a 4 m².



ATTENZIONE! La mancata osservanza di queste precauzioni potrebbe causare lesioni lievi o moderate.

- Utilizzare l'apparecchio soltanto dopo aver verificato che l'alloggiamento e i cavi non siano danneggiati.
- Non utilizzare l'apparecchio nelle vicinanze di liquidi infiammabili oppure in locali chiusi.

- Assicurarsi che nella zona delle bocchette dell'aria non siano collocati o montati oggetti infiammabili. Deve essere rispettata una distanza minima di 50 cm.
- Non toccare l'interno delle bocchette di aerazione e non introdurre nessun corpo estraneo nell'apparecchio.
- Indossare sempre occhiali e guanti protettivi.



AVVISO! Rischio di danni

- L'apparecchio funziona in modo ottimale a 1020 mbar.
- L'apparecchio deve essere conservato in modo da evitare danni meccanici.
- Prima di procedere con l'installazione dell'apparecchio occorre verificare che il suo montaggio non possa causare danni ai componenti del veicolo (ad es. lampade, armadi, porte). È possibile che il produttore del veicolo abbia già previsto dei punti nei quali sia possibile realizzare l'apertura per l'installazione dell'apparecchio senza correre il rischio di indebolire la struttura o di tranciare i cavi elettrici.
- Prima dell'installazione, informarsi presso il fabbricante del veicolo se, con il veicolo in marcia, la struttura è progettata per sostenere il peso statico e il carico del climatizzatore.
- Assicurarsi che il telaio del tetto sia sigillato correttamente sul tetto.
- Per il montaggio scegliere una zona in piano e sufficientemente piatta al centro del tetto del veicolo fra i due profili longitudinali.
- La pendenza della superficie di montaggio del tetto non può essere superiore a 10 °.
- Assicurarsi che nell'abitacolo del veicolo non siano presenti ostacoli per il fissaggio della scatola di distribuzione dell'aria o la fuoriuscita dell'aria raffreddata attraverso le bocchette di distribuzione dell'aria orientabili.
- Non eseguire modifiche o trasformazioni all'apparecchio!
- Non utilizzare mai autolavaggi automatici quando l'apparecchio è montato.
- Qualora dovessero presentarsi guasti al circuito di raffreddamento, fare controllare l'impianto da una ditta specializzata e farlo riparare a regola d'arte.
- Non scaricare mai il refrigerante nell'aria.
- Si prega di informarsi presso il fabbricante del proprio veicolo se, in seguito all'installazione del climatizzatore, è necessario apportare una modifica dell'altezza del veicolo sulla carta di circolazione.

5 Dotazione

 **fig. 1** alla pagina 3  **fig. 2** alla pagina 3

N. nella fig. 1, fig. 2	Quantità	Descrizione
1	1	Unità a tetto
2	1	Telaio del tetto
3	1	Scatola di distribuzione dell'aria
4	1	Copertura centrale scatola di distribuzione dell'aria
5	4	Sezioni dei condotti
6	3	Connettori per cavi
7	4	Viti di fissaggio
8	1	Coperchio della scatola

N. nella fig. 1 , fig. 2	Quantità	Descrizione
9	1	Solo alcuni modelli: Controllo remoto

6 Accessori

Disponibili come accessori (non in dotazione):

Descrizione	N. art.
Sezioni dei condotti di estensione (ogni sezione copre ulteriori 10 mm)	4450017931
Bulloni di fissaggio più lunghi M6 x 160 mm (per spessori del tetto 60 ... 120 mm)	4450012023
Purificatore d'aria	4450029486
Riscaldatore elettrico	4450029487
Luce ambiente ADB	4450029486
Filtri per FreshJet FJX4233M	4450024007 4450024008
Filtri per FreshJet FJX4233EEH/FJX4333E(EH)/FJX7333IHP/FJX7337IHP/FJX7457IHP	4450025683

7 Destinazione d'uso

Il climatizzatore a tetto è progettato solo per l'installazione sul tetto di un caravan o di un camper per fornire il raffreddamento e il riscaldamento.

Il climatizzatore a tetto **non** è adatto per treni, case e appartamenti. Il climatizzatore a tetto **non** è adatto per essere montato su macchine edili, macchine agricole o macchine da lavoro simili.

Questo prodotto è adatto solo per l'uso e l'applicazione previsti in conformità con le presenti istruzioni.

Il presente manuale fornisce le informazioni necessarie per la corretta installazione e/o il funzionamento del prodotto. Un'installazione errata e/o un utilizzo o una manutenzione impropri porteranno prestazioni insoddisfacenti e un possibile guasto.

Il produttore non si assume alcuna responsabilità per eventuali lesioni o danni al prodotto che derivino da:

- installazione, montaggio o collegamento errati, compresa la sovratensione
- manutenzione non corretta o uso di ricambi diversi da quelli originali forniti dal produttore
- modifiche al prodotto senza esplicita autorizzazione del produttore
- impiego per scopi diversi da quelli descritti nel presente manuale.

Dometic si riserva il diritto di modificare l'aspetto e le specifiche del prodotto.

8 Elenco dei modelli

I modelli si differenziano tra modelli meccanici, a velocità fissa e a inverter.

La tabella seguente mostra le funzioni dei vari modelli:

● Funzione disponibile

○ Funzione disponibile con upgrade

	FJX4233M	FJX4233EEH	FJX4333EEH	FJX4333E	FJX7333IHP	FJX7337IHP	FJX7457IHP
	Meccanico	Velocità fissa			Inverter		
Automatica		●	●	●	●	●	●
Raffreddamento	●	●	●	●	●	●	●
Riscaldamento		●	●	○	●	●	●
Ventilazione	●	●	●	●	●	●	●
Deumidificazione		●	●	●	●	●	●
Purificatore d'aria	○	●	●	○	●	●	●
Luce a ADB		●	●	○	●	●	●
Luce esterna					●	●	●
Timer		●	●	●	●	●	●
Sleep		●	●	●	●	●	●
soft start			●	○	●	●	●

9 Spiegazioni dei simboli sull'apparecchio



Avviso! Materiale a velocità di combustione lenta.



Leggere le istruzioni per l'uso.



Leggere il manuale di manutenzione.

10 Limiti tecnici e condizioni

Il climatizzatore è destinato ai veicoli con tetto con uno spessore di 25 mm ... 60 mm. Il climatizzatore a tetto funziona a temperature ambiente comprese tra -2 °C ... 52 °C. Il climatizzatore è progettato per essere installato entro $\pm 10^\circ$ dal piano orizzontale.

11 Installazione



PERICOLO! Pericolo di scosse elettriche

- L'alimentazione elettrica del camper deve essere collegata da un elettricista qualificato che abbia dimostrato di possedere abilità e conoscenze sulla costruzione e il funzionamento di apparecchiature elettriche e installazioni e abbia ricevuto la formazione sulla sicurezza per identificare ed evitare i pericoli correlati.
- Quando si opera sul climatizzatore a tetto, interrompere tutte le alimentazioni di tensione, inclusi gli inverter.
- Assicurarsi che l'alimentazione dell'apparecchio non possa essere ricollegata durante l'installazione o la manutenzione.



AVVERTENZA! Pericolo di scosse elettriche

- L'apparecchio deve essere installato in conformità alle norme nazionali sul cablaggio.
- I seguenti elementi devono essere incorporati nel cablaggio fisso in conformità alle regole di cablaggio: Un dispositivo di scollegamento onnipolare con distanza di almeno 3 mm in tutti i poli; in presenza di una corrente di dispersione che può superare 10 mA, un interruttore differenziale (RCD) con una corrente operativa residua nominale non superiore a 30 mA; uno scollegamento.
- Se l'apparecchio sostituisce una finestra o un oblò con una funzione di ventilazione forzata rilevante per la sicurezza, è necessario aggiungere un dispositivo di ventilazione di sicurezza aggiuntivo (ad esempio una ventola a fungo o simile). In caso di dubbio, consultare il fabbricante del veicolo.
- Dopo l'installazione del climatizzatore, un camino di scarico in prossimità del climatizzatore deve ergersi per almeno 10 cm sopra di esso. Se necessario, prolungare il camino di scarico. Attenersi alle istruzioni del fabbricante del sistema di riscaldamento.



ATTENZIONE! Rischio di lesioni

- Un montaggio scorretto del climatizzatore può provocare danni irreparabili all'apparecchio e compromettere la sicurezza dell'utente.
- Trasportare o sorreggere il climatizzatore sempre in due persone.
- Accertarsi che il montaggio dell'apparecchio (in caso di perforazioni ed avvitate ecc.) non avvenga lungo la posa dei cablaggi preesistenti, in particolare di quelli non a vista, delle linee e di altri componenti situati nell'area di montaggio.
- Posare i cavi in modo tale che non sussista pericolo di inciampo e che si possano escludere eventuali danni ai cavi.
- Indossare sempre occhiali e guanti protettivi.



AVVISO! Rischio di danni

- L'apparecchio è un sistema sigillato con un circuito di raffreddamento chiuso. Non aprirlo o manometterlo, a meno che non si sia un tecnico qualificato.
- Utilizzare canaline per cavi per posare i cavi attraverso pareti con spigoli vivi.

- Non effettuare la posa di cavi laschi o piegati accanto a materiali elettroconduttori (metalli).
- Non tirare i cavi.
- Verificare che i cavi non siano soggetti a usura, corrosione, eccessiva pressione, vibrazioni, bordi taglienti o altri effetti ambientali avversi. Il controllo deve inoltre tenere conto degli effetti dell'invecchiamento o delle vibrazioni continue provenienti da fonti quali compressori o ventole.
- Prestare attenzione alla statica del tetto del veicolo. Il tetto del veicolo deve poter sostenere il peso del climatizzatore senza cedere o deformarsi. In caso di dubbio, consultare il fabbricante del veicolo.



NOTA

- Le specifiche dell'apparecchio sono riportate nei Specifiche tecniche e nelle seguenti targhette dati:
- Targhetta dati dell'unità a tetto fig. **3**
- Targhetta dati ADB fig. **4**



Per ulteriori informazioni sui climatizzatori a tetto consultare le istruzioni per l'uso, come la descrizione tecnica o i comandi, vedi qr.dometic.com/bdjin0x.



fig. 3 alla pagina 4 **fig. 4** alla pagina 4

1. Scegliere la modalità di installazione del climatizzatore:
 - Realizzazione di una nuova apertura. In questo caso l'apertura deve essere rinforzata da un telaio adeguato.
 - Utilizzo di un'apertura esistente nel veicolo, come un oblò a tetto, o sostituzione di un vecchio climatizzatore.
 - Assicurarsi di mantenere le distanze seguenti:

Modello	Altezza dell'oggetto < 60 mm	Altezza dell'oggetto > 60 mm			
		Tutti e 4 i lati	Destra	Sinistra *	Lato posteriore *
FJX4333EEH	50 mm	150 mm	150 mm	150 mm	150 mm
FJX7333IHP	50 mm	150 mm	150 mm	150 mm	150 mm
FJX7337IHP	50 mm	300 mm	150 mm	150 mm	150 mm
FJX7457IHP	50 mm	300 mm	150 mm	150 mm	150 mm

* In questo contesto, le parole "sinistra" e "destra" indicano che si sta guardando l'unità dalla parte anteriore del veicolo.

- Assicurarsi di mantenere le distanze seguenti:

* In questo contesto, le parole "sinistra" e "destra" indicano che si sta guardando l'unità dalla parte anteriore del veicolo.

Realizzazione di una nuova apertura

2. Scegliere un'area al centro del tetto situata fra due supporti longitudinali.

3. Segnare la posizione e le dimensioni dell'apertura (400 × 400 mm).

 **fig. 5 alla pagina 4**

4. Praticare i fori sugli angoli (A).

**AVVISO! Rischio di danni**

Prestare attenzione a non danneggiare i cavi di alimentazione elettrica. Controllare la posizione dei cavi elettrici.

 **fig. 6 alla pagina 5**

5. Tagliare con cura l'apertura sul tetto con un gattuccio o uno strumento simile (B).
6. Controllare se l'apertura nel tetto deve essere rinforzata.
7. Se necessario, rimuovere lo strato di schiuma in base alla larghezza dei listelli di rinforzo (non in dotazione) (A).

 **fig. 7 alla pagina 5**

8. Applicare i listelli di rinforzo (B).

Installazione in un'apertura esistente

9. Rimuovere tutte le viti e gli elementi di fissaggio dell'oblò a tetto o del climatizzatore d'aria esistente.

 **fig. 8 alla pagina 5**

10. Estrarre l'oblò a tetto o il climatizzatore.
11. Con un raschietto o qualcosa di simile, rimuovere il materiale di guarnizione situato intorno all'apertura.

 **fig. 9 alla pagina 5**

Posa dei cavi di collegamento

12. Controllare che i dati di tensione riportati sulla targhetta del climatizzatore corrispondano a quelli dell'alimentazione. Il climatizzatore deve essere collegato a un circuito elettrico in grado di fornire la corrente necessaria (Specifiche tecniche).
13. Assicurarsi che la linea di alimentazione elettrica sia dotata di un interruttore differenziale (< 30 mA). Se mancante, installare l'interruttore differenziale.
14. Installare sul lato di installazione un interruttore onnipolare con una larghezza di apertura dei contatti di almeno 3 mm.
15. Scegliere la sezione del cavo di alimentazione in base alla sua lunghezza:
 - Lunghezza < 7,5 m: 1,5 mm²
 - Lunghezza > 7,5 m: 2,5 mm²
16. Praticare un'apertura su un lato per farvi passare il cavo di alimentazione.

 **fig. 10 alla pagina 5**

17. Far passare il cavo di alimentazione attraverso l'apertura all'interno dell'abitacolo.

Installazione dell'unità a tetto

18. Sigillare attorno la parte inferiore del telaio del tetto con sigillante butilico flessibile non indurente (ad es. Sikalastomer-710, mastice butilico Selleys, sigillante butilico Ezycaulk Bostik o prodotti simili). Osservare le indicazioni del produttore del mastice.

 **fig. 11 alla pagina 6**

19. Orientare il telaio del tetto in base alle dimensioni dell'apertura.
20. Inserire il telaio del tetto nell'apertura del tetto.

 **fig. 12 alla pagina 6**

21. Sollevare l'unità a tetto sul tetto del veicolo. Osservare la direzione di marcia.
22. Posizionare l'unità a tetto nel telaio del tetto e allinearla alla scanalatura del telaio del tetto. Per l'allineamento nella scanalatura del telaio del tetto, utilizzare gli angoli nella parte anteriore del telaio del tetto.

Collegamento elettrico

23. Collegare il cavo di alimentazione.

 **fig. 13 alla pagina 7**

- a) Collegare i cavi (1) al rispettivo connettore per cavi (2).
 - b) Collegare il climatizzatore all'alimentazione.
 - c) Collegare il cavo di messa a terra al sistema di messa a terra del veicolo.
24. **Solo modelli meccanici:** collegare il cavo tra l'unità esterna e il diffusore d'aria.
 - a) Estrarre leggermente il filtro per creare una fessura per il cavo di comunicazione (3).
 - b) Fare passare il cavo di attraverso la fessura e posizionarlo nell'apertura.
 - c) Collegare la spina di comunicazione a 6 poli alla presa sul lato del display nella scatola di distribuzione dell'aria. Assicurarsi che il cavo sia posizionato nella piccola apertura lontano dalla zona del filtro.
 - d) Fissare il cavo in eccesso nei supporti.
 25. **Solo modelli a velocità fissa e a inverter:** Collegare il cavo di comunicazione.
 - a) Estrarre leggermente il filtro per creare una fessura per il cavo di comunicazione (4).
 - b) Fare passare il cavo di comunicazione attraverso la fessura e posizionarlo nell'apertura.
 - c) Collegare la spina di comunicazione a 4 poli alla presa sul lato del display nella scatola di distribuzione dell'aria. Assicurarsi che il cavo sia posizionato nella piccola apertura lontano dalla zona del filtro.
 - d) Fissare il cavo in eccesso nei supporti.

Installazione della scatola di distribuzione dell'aria

26. Impilare le sezioni dei condotti e posizionarle contro lo spessore del tetto: assicurarsi che l'altezza dei condotti corrisponda all'altezza del tetto o utilizzare la tabella come guida.

 **fig. 14 alla pagina 8**

Spessore tetto	Numero di sezioni del condotto
25 ... 35 mm	1
35 ... 45 mm	2
45 ... 55 mm	3
55 ... 60 mm	4



NOTA Per tetti più spessi è possibile acquistare ulteriori sezioni del condotto.

27. Fissare il numero richiesto di sezioni del condotto sulla scatola di distribuzione dell'aria.
28. Fissare la scatola di distribuzione dell'aria al soffitto attraverso l'unità a tetto con i 4 bulloni in dotazione. Serrare le viti con una chiave dinamometrica a una coppia di serraggio di 2.5 Nm \pm 0.3 Nm.

 **fig. 15 alla pagina 9**

29. Spingere il filtro completamente all'interno.

 **fig. 16 alla pagina 9**

30. Fissare il coperchio centrale alla scatola di distribuzione dell'aria.

 **fig. 17** alla pagina 10

31. Chiedere al fabbricante del veicolo se, una volta installato il climatizzatore, è necessario eseguire un collaudo e modificare il valore dell'altezza del veicolo riportato nella carta di circolazione:

- FreshJet FJX4233, FreshJet FJX4333, FreshJet FJX7333: maggiore altezza 225 mm
- FreshJet FJX7337: maggiore altezza 242 mm
- FreshJet FJX7457: maggiore altezza 283 mm

✓ L'installazione è ora completata.

Collegare il climatizzatore all'alimentazione e provare se funziona.

12 Schemi di collegamento

FJX4233M

 **fig. 18** alla pagina 10

FJX4233E, FJX4333E(EH), FJX7333IHP

 **fig. 19** alla pagina 11

FJX7333IHP

 **fig. 20** alla pagina 11

FJX7337IHP, FJX7457IHP

 **fig. 21** alla pagina 12

ADB

 **fig. 22** alla pagina 12

13 Smaltimento



Raccogliere il materiale di imballaggio possibilmente negli appositi contenitori di riciclaggio. Consultare il centro locale di riciclaggio o il rivenditore specializzato per informazioni su come smaltire il prodotto secondo le norme sullo smaltimento applicabili.



Proteggere l'ambiente! Gli accumulatori e le batterie non devono essere raccolti insieme ai rifiuti domestici. Consegnare gli accumulatori difettosi o le batterie usate al rivenditore o presso un centro di raccolta.

14 Specifiche tecniche

 **fig. 23** alla pagina 13  **fig. 24** alla pagina 13  **fig. 25** alla pagina 13  **fig. 26** alla pagina 14

Contiene gas fluorurati ad effetto serra. Apparecchiatura sigillata ermeticamente.

Con la presente Dometic dichiara che la presente apparecchiatura radio è conforme alla Direttiva 2014/53/UE. Il testo completo della dichiarazione di conformità UE è disponibile al seguente indirizzo Internet <http://documents.dometic.com>.

	FreshJet FJX4233M
Capacità di raffreddamento in conformità a ISO 5151:	1500 W
Tensione di ingresso CA:	220 V ... 240 V / 50 Hz
Raffreddamento a corrente nominale:	3,1 A
Fusibile necessario:	Min. 4 A, max. 16 A
Intervallo temperatura di esercizio:	-2 °C ... 52 °C
Refrigerante:	R410a
Quantità di refrigerante:	380 g
CO ₂ equivalente:	0,793 t
Potenziale di riscaldamento globale (GWP):	2088
Classe di protezione (unità a tetto):	IPX4
Livello di rumorosità (impostazione massima della ventola)	< 70 dB(A)
Frequenza	2,4 GHz
Potenza massima in radiofrequenza:	19,14 dBm
Lunghezza massima consigliata del veicolo (con pareti isolate):	≤ 5 m
Dimensioni L x P x A:	fig. 23
Peso:	< 30 kg
Ispezione/certificazione:	CE UK

	FreshJet FJX4233EEH	FreshJet FJX4333EEH	FreshJet FJX4333E
Capacità di raffreddamento in conformità a ISO 5151:	1700 W	2200 W	2200 W
Capacità di riscaldamento in conformità a ISO 5151:	800 W	1000 W	-
Tensione di ingresso CA:	220 V ... 240 V / 50 Hz		
Corrente nominale di raffreddamento:	3,4 A	4,6 A	4,6 A
Corrente nominale di riscaldamento:	3,7 A	4,4 A	-
Fusibile necessario:	Min. 4 A, max. 16 A	Min. 5 A, max. 16 A	Min. 5 A, max. 16 A
Intervallo temperatura di esercizio:	-2 °C ... 52 °C		

IT Dometic FJX

	FreshJet FJX4233EEH	FreshJet FJX4333EEH	FreshJet FJX4333E
Refrigerante:		R32	
Quantità di refrigerante:	320 g	360 g	360 g
CO ₂ equivalente:	0,216 t	0,243 t	0,243 t
Potenziale di riscaldamento globale (GWP):		675	
Classe di protezione (unità a tetto):		IPX4	
Livello di rumorosità (impostazione massima della ventola)		< 70 dB(A)	
Frequenza		2,4 GHz	
Potenza massima in radiofrequenza:		19,14 dBm	
Lunghezza massima consigliata del veicolo (con pareti isolate):	≤ 6 m	≤ 7 m	≤ 7 m
Dimensioni L x P x A:		fig. 24	
Peso:	< 30 kg	< 30 kg	< 30 kg
Ispezione/certificazione:		CE UK	

	FreshJet FJX7333IHP	FreshJet FJX7337IHP	FreshJet FJX7457IHP
Capacità di raffreddamento in conformità a ISO 5151:	2200 W	3000 W	3500 W
Capacità di riscaldamento in conformità a ISO 5151:	2000 W	2500 W	3000 W
Tensione di ingresso CA:	220 V ... 240 V / 50 Hz ... 60 Hz		
Raffreddamento a corrente nominale:	< 5,9 A	< 7,3 A	< 7,5 A
Assorbimento di corrente riscaldamento:	< 3,7 A	< 5,9 A	< 6,5 A
Fusibile necessario:	Min. 6 A, max. 16 A	Min. 8 A, max. 16 A	Min. 8 A, max. 16 A
Intervallo temperatura di esercizio:	-2 °C ... 52 °C		
Refrigerante:		R32	
Quantità di refrigerante:	400 g	480 g	650 g
CO ₂ equivalente:	0,270 t	0,324 t	0,439 t
Potenziale di riscaldamento globale (GWP):		675	
Classe di protezione (unità a tetto):		IPX4	
Livello di rumorosità (impostazione massima della ventola)		< 70 dB(A)	
Frequenza		2,4 GHz	

	FreshJet FJX7333IHP	FreshJet FJX7337IHP	FreshJet FJX7457IHP
Potenza massima in radiofrequenza:	19,14 dBm		
Lunghezza massima consigliata del veicolo (con pareti isolate):	≤ 7 m	≤ 7 m	> 8 m
Dimensioni L x P x A:	fig. 24	fig. 25	fig. 26
Peso:	< 30 kg	< 35 kg	< 40 kg
Ispezione/certificazione:	CE UK		

Nederlands

1	Belangrijke opmerkingen.....	92
2	Verklaring van de symbolen.....	92
3	Doelgroepen.....	93
4	Veiligheidsaanwijzingen.....	93
5	Omvang van de levering.....	94
6	Accessoires.....	95
7	Beoogd gebruik.....	95
8	Lijst met modellen.....	96
9	Verklaring van de symbolen op het toestel.....	96
10	Technische limieten en voorwaarden.....	97
11	Installatie.....	97
12	Aansluitschema's.....	101
13	Verwijdering.....	101
14	Technische gegevens.....	101

1 Belangrijke opmerkingen

Lees deze gebruiksaanwijzing zorgvuldig door en volg alle instructies, richtlijnen en waarschuwingen in deze handleiding op om ervoor te zorgen dat u het product te allen tijde op de juiste manier installeert, gebruikt en onderhoudt. Deze gebruiksaanwijzing MOET bij dit product worden bewaard.

Door het product te gebruiken, bevestigt u hierbij dat u alle instructies, richtlijnen en waarschuwingen zorgvuldig hebt gelezen en dat u de voorwaarden zoals hierin beschreven begrijpt en accepteert. U gaat ermee akkoord dit product alleen te gebruiken voor het beoogde doel en de beoogde toepassing en in overeenstemming met de instructies, richtlijnen en waarschuwingen zoals beschreven in deze gebruiksaanwijzing en in overeenstemming met de geldende wet- en regelgeving. Het niet lezen en opvolgen van de hierin beschreven instructies en waarschuwingen kan leiden tot letsel voor uzelf en anderen, schade aan uw product of schade aan andere eigendommen in de omgeving. Deze gebruiksaanwijzing, met inbegrip van de instructies, richtlijnen en waarschuwingen, en de bijbehorende documentatie kan onderhevig zijn aan wijzigingen en updates. Voor de recentste productinformatie, bezoek documents.dometic.com.

2 Verklaring van de symbolen



GEVAAR!

Duidt op een gevaarlijke situatie die, indien deze niet wordt voorkomen, ernstig letsel of de dood tot gevolg heeft.



WAARSCHUWING!

Duidt op een gevaarlijke situatie die, indien deze niet wordt voorkomen, ernstig letsel of de dood tot gevolg kan hebben.



VOORZICHTIG!

Duidt op een gevaarlijke situatie die, indien deze niet wordt voorkomen, licht of matig letsel tot gevolg kan hebben.



LET OP!

Duidt op een situatie die, indien deze niet wordt voorkomen, kan leiden tot materiële schade.



INSTRUCTIE Aanvullende informatie voor het gebruik van het product.

3 Doelgroepen



De elektrische aansluiting moet worden uitgevoerd door een bevoegde elektricien met aantoonbare kennis en vaardigheden op het gebied van de constructie en werking van elektrische apparaten en installaties, die is opgeleid om de gevaren die elektrische apparaten en installaties met zich meebrengen veilig te herkennen en te voorkomen.



De mechanische installatie moet worden uitgevoerd door bevoegd personeel dat bekend is met de constructie en de werking van de apparatuur en de gevaren die ermee gepaard gaan.

4 Veiligheidsaanwijzingen



WAARSCHUWING! Het niet in acht nemen van deze waarschuwingen kan leiden tot ernstig letsel of de dood.

- Reparaties van het toestel mogen uitsluitend worden uitgevoerd door bevoegd personeel dat bekend is met de betreffende gevaren en voorschriften. Door ondeskundige reparaties kunnen grote gevaren ontstaan. Neem voor reparaties contact op met het servicecentrum in uw land (zie dometic.com/dealer).
- Het toestel moet worden geïnstalleerd in overeenstemming met de nationale voorschriften voor elektrische en mechanische installatie.
- **Elektrische toestellen zijn geen speelgoed.** Kinderen kunnen de gevaren die van elektrische toestellen uitgaan niet goed inschatten. Laat kinderen niet zonder toezicht elektrische toestellen gebruiken.
- Personen die door hun fysieke, zintuigelijke of mentale vermogen of door hun onervarenheid of onwetendheid niet in staat zijn het toestel veilig te gebruiken, mogen dit niet zonder toezicht of instructie door een verantwoordelijke persoon doen.
- In geval van brand mag u de bovenste afdekking van het toestel **niet** verwijderen. Gebruik goedgekeurde blusmiddelen. Gebruik geen water om branden te blussen.
- Het toestel moet worden opgeslagen in een ruimte zonder continu aanwezig open vuur (bijvoorbeeld een werkend gastoestel) en zonder ontstekingsbronnen (bijvoorbeeld een ingeschakelde elektrische verwarming).
- Het toestel dient horizontaal te worden opgeslagen op een droge, geventileerde en overdekte locatie.
- Doorboor of verbrand het toestel niet.
- Koelmiddelen kunnen geurloos zijn.
- De dakairconditioning moet worden geïnstalleerd in een voertuig met een vloeroppervlak groter dan 4 m².



VOORZICHTIG! Het niet in acht nemen van deze waarschuwingen kan leiden tot licht of matig letsel.

- Gebruik het toestel alleen als u zeker weet dat de behuizing en de kabels niet beschadigd zijn.
- Gebruik het toestel niet in de buurt van ontvlambare vloeistoffen of in gesloten ruimtes.

- Zorg ervoor dat er geen brandbare voorwerpen in de buurt van de luchtuitlaat zijn opgeslagen of gemonteerd. De afstand moet minstens 50 cm bedragen.
- Grijp niet in luchtuitlaten en steek geen vreemde voorwerpen in het toestel.
- Draag altijd een veiligheidsbril en handschoenen.



LET OP! Gevaar voor schade

- Het toestel werkt optimaal op 1020 mbar.
- Het toestel dient zodanig te worden opgeslagen dat mechanische schade wordt voorkomen.
- Controleer of door de montage van het toestel eventueel voertuigcomponenten beschadigd kunnen raken (bijvoorbeeld lampen, kasten, deuren), alvorens het toestel te monteren. De voertuigfabrikant heeft eventueel al voor plaatsen gezorgd waar de opening voor de montage van het toestel kan worden aangebracht zonder het risico de constructie te verzwakken of stroomkabels door te snijden.
- Vraag vóór de montage aan de voertuigfabrikant of de constructie is ontworpen voor het statische gewicht en de belastingen van de dakairconditioning wanneer het voertuig in beweging is.
- Zorg ervoor dat het dakframe goed is afgedicht op het dak.
- Kies als montageplaats een vlakke en voldoende effen zone in het midden van het voertuigdak tussen twee lengteprofielen.
- De dakhelling van het montagevlak mag niet meer dan 10 ° bedragen.
- Zorg ervoor dat er in het voertuig geen voorwerpen staan die de bevestiging van de luchtverdeelbox kunnen hinderen of de gekoelde luchtstroom uit de zwenkbare luchtverdelers kunnen blokkeren.
- Voer geen wijzigingen of verbouwingen aan het toestel uit.
- Rijd nooit door de wasstraat wanneer het toestel is gemonteerd.
- Als er storingen in de koelkring optreden, moet het systeem door een gespecialiseerde firma worden gecontroleerd en naar behoren worden gerepareerd.
- Het koelmiddel mag niet aan de lucht worden afgegeven.
- Vraag de voertuigfabrikant of de hoogte die is aangegeven in uw voertuigpapieren moet worden gewijzigd vanwege de montage van de dakairconditioning.

5 Omvang van de levering

 **afb. 1** op pagina 3  **afb. 2** op pagina 3

Nr. in afb. 1 , afb. 2	Aantal	Beschrijving
1	1	Dakeenheid
2	1	Dakframe
3	1	Luchtverdeelbox (Air Distribution Box; ADB)
4	1	Centrale afdekking luchtverdeelbox
5	4	Kanaalsecties
6	3	Kabelverbinders
7	4	Bevestigingsschroeven
8	1	Boxafdekking

Nr. in afb. 1 , afb. 2	Aantal	Beschrijving
9	1	Slechts enkele modellen: Afstandsbediening

6 Accessoires

Verkrijgbaar als accessoires (niet bij de levering inbegrepen):

Beschrijving	Artikelnr.
Verlengende kanaalsecties (elke sectie levert 10 mm extra op)	4450017931
Langere bevestigingsschroeven M6 x 160 mm (voor dakdiktes van 60 ... 120 mm)	4450012023
Luchtzuiveraar	4450029486
Elektrische verwarming	4450029487
ADB-sfeerverlichting	4450029488
Filters voor FreshJet FJX4233M	4450024007 4450024008
Filters voor FreshJet FJX4233EEH/FJX4333E(EH)/FJX7333IHP/FJX7337IHP/FJX7457IHP	4450025683

7 Beoogd gebruik

De dakairconditioning is uitsluitend ontworpen voor montage op het dak van een caravan of recreatievoertuig om koeling en verwarming te bieden.

De dakairconditioning is **niet** geschikt voor treinen, huizen en appartementen. De dakairconditioning is **niet** geschikt voor montage in bouwmachines, landbouwmachines of dergelijke werktuigen.

Dit product is alleen geschikt voor het beoogde gebruik en de toepassing in overeenstemming met deze gebruiksaanwijzing.

Deze handleiding geeft informatie die nodig is voor een correcte installatie en/of correct gebruik van het product. Een slechte installatie en/of onjuist gebruik of onderhoud leidt tot onbevredigende prestaties en mogelijke storingen.

De fabrikant aanvaardt geen aansprakelijkheid voor letsel of schade aan het product die het gevolg is van:

- Onjuiste installatie, montage of aansluiting, inclusief te hoge spanning
- Onjuist onderhoud of gebruik van andere dan door de fabrikant geleverde originele reserveonderdelen
- Wijzigingen aan het product zonder uitdrukkelijke toestemming van de fabrikant
- Gebruik voor andere doeleinden dan beschreven in deze handleiding

Dometic behoudt zich het recht voor om het uiterlijk en de specificaties van het product te wijzigen.

8 Lijst met modellen

Bij de modellen wordt onderscheid gemaakt tussen mechanische modellen, modellen met vaste snelheid en omvormersmodellen.

In de volgende tabel ziet u welke functie van toepassing is op een bepaald model:

● Functie is beschikbaar

○ Functie kan worden toegevoegd

	FJX4233M	FJX4233EEH	FJX4333EEH	FJX4333E	FJX7333IHP	FJX7337IHP	FJX7457IHP
	Mechanisch	Vaste snelheid			Omvormer		
Automatisch		●	●	●	●	●	●
Koelen	●	●	●	●	●	●	●
Verwarmen		●	●	○	●	●	●
Ventilatie	●	●	●	●	●	●	●
Ontvochtiging		●	●	●	●	●	●
Luchtzuiveraar	○	●	●	○	●	●	●
Verlichting van luchtverdeelbox		●	●	○	●	●	●
Extern licht					●	●	●
Timer		●	●	●	●	●	●
Sleep		●	●	●	●	●	●
Softstart			●	○	●	●	●

9 Verklaring van de symbolen op het toestel



A2L

Let op! Licht ontvlambaar materiaal.



Lees de gebruiksaanwijzing.



Lees de servicehandleiding.

10 Technische limieten en voorwaarden

De dakairconditioning is bedoeld voor voertuigen met daken met een dikte van 25 mm ... 60 mm. De dakairconditioning werkt bij omgevingstemperaturen tussen -2 °C ... 52 °C. De dakairconditioning is ontworpen om te worden geïnstalleerd binnen $\pm 10^\circ$ van het horizontale vlak.

11 Installatie



GEVAAR! Gevaar voor elektrische schokken

- De elektrische aansluiting in de camper moet worden uitgevoerd door een bevoegde elektricien met aantoonbare kennis en vaardigheden op het gebied van de constructie en werking van elektrische apparaten en installaties, die is opgeleid om de gevaren die elektrische apparaten en installaties met zich meebrengen veilig te herkennen en te voorkomen.
- Onderbreek alle stroomvoorzieningen, inclusief omvormers, bij werkzaamheden aan de dakairconditioning.
- Zorg ervoor dat de stroomvoorziening van het toestel tijdens de montage of het onderhoud niet opnieuw kan worden aangesloten.



WAARSCHUWING! Gevaar voor elektrische schokken

- Het toestel moet worden geïnstalleerd in overeenstemming met de nationale voorschriften voor bedrading.
- Het volgende moet in de vaste bedrading worden opgenomen in overeenstemming met de bedravingsregels: een alpolige scheidingschakelaar die ten minste 3 mm vrije ruimte in alle polen heeft; in geval van een lekstroom die hoger kan zijn dan 10 mA een aardlekschakelaar met een nominale restbedrijfsstroom van maximaal 30 mA; een ontkoppeling.
- Als het toestel een raam of luik vervangt met een veiligheidsgerelateerde gedwongen ventilatiefunctie, moet er een extra veiligheidsventilatie-inrichting (bijv. een paddenstoelventilator o.i.d.) worden toegevoegd. Neem in geval van twijfel contact op met de voertuigfabrikant.
- Na de montage van de dakairconditioning moet er een uitlaatschoorsteen in de buurt van de dakairconditioning ten minste 10 cm boven uitsteken. Verleng de uitlaatschoorsteen indien nodig. Neem de aanwijzingen van de fabrikant van de verwarming in acht.



VOORZICHTIG! Gevaar voor letsel

- Een verkeerde montage van de dakairconditioning kan tot onherstelbare schade aan het toestel leiden en de veiligheid van de gebruiker in gevaar brengen.
- Draag of til de dakairconditioning altijd met twee personen.
- Controleer voorafgaand aan de montage van het toestel (bij het boren en schroeven enz.) het verloop van aanwezige, met name onzichtbare, kabelstrengen, leidingen en andere componenten die zich in het montagebereik bevinden.
- Leg en bevestig de kabels zodanig dat er niet over gestruikeld kan worden en dat ze niet beschadigd kunnen raken.
- Draag altijd een veiligheidsbril en handschoenen.



LET OP! Gevaar voor schade

- Het toestel is een afgedicht systeem met een gesloten koelkring. Open of manipuleer het niet, tenzij u een bevoegd technicus bent.
- Gebruik kabelgoten om kabels door wanden met scherpe randen te leggen.

- Leg geen losse of scherp geknikte kabels naast elektrisch geleidende materialen (metaal).
- Trek niet aan de kabels.
- Zorg ervoor dat de bekabeling niet onderhevig is aan slijtage, corrosie, overmatige druk, trillingen, scherpe randen of andere nadelige omgevingseffecten. Houd hierbij ook rekening met de effecten van veroudering of continue trillingen van bronnen zoals compressoren of ventilatoren.
- Houd rekening met de structurele sterkte van het voertuigdak. Het voertuigdak moet het gewicht van de dakairconditioning kunnen dragen zonder daarbij te worden ingedeukt of vervormd. Neem in geval van twijfel contact op met de voertuigfabrikant.



INSTRUCTIE

- U vindt de specificaties van het toestel in de Technische gegevens en op de volgende typeplaatjes:
- Typeplaatje dakeenheid afb. **3**
- Typeplaatje luchtverdeelbox afb. **4**



Meer informatie over dakairconditionings, zoals de technische omschrijving of de bedieningselementen, zijn te vinden in de gebruiksaanwijzing, zie qr.dometic.com/bdijN0x.



afb. 3 op pagina 4 **afb. 4 op pagina 4**

1. Kies een manier om de dakairconditioning te monteren:
 - Maak een nieuwe opening. In dit geval moet de opening worden versterkt met een geschikt frame.
 - Gebruik een bestaande opening in het voertuig, bijvoorbeeld een dakraam of bij vervanging van een oude dakairconditioning.
 - Zorg ervoor dat u de volgende spelingen aanhoudt:

Model	Objecthoogte < 60 mm	Objecthoogte > 60 mm			
	Aan alle 4 zijden	Rechts	Links *	Achterzijde *	Voorkant
FJX4333EEH	50 mm	150 mm	150 mm	150 mm	150 mm
FJX7333IHP	50 mm	150 mm	150 mm	150 mm	150 mm
FJX7337IHP	50 mm	300 mm	150 mm	150 mm	150 mm
FJX7457IHP	50 mm	300 mm	150 mm	150 mm	150 mm

* In deze context betekent "links" en "rechts" wanneer u vanaf de voorkant van het voertuig naar de eenheid kijkt.

- Zorg ervoor dat u de volgende spelingen aanhoudt:

* In deze context betekent "links" en "rechts" wanneer u vanaf de voorkant van het voertuig naar de eenheid kijkt.

Nieuwe opening maken

2. Kies een plek in het midden van het dak tussen twee lengteprofielen.
3. Markeer de positie en de grootte van de opening (400 × 400 mm).

afb. 5 op pagina 4

4. Boor de hoeken uit (A).



LET OP! Gevaar voor schade

Zorg ervoor dat er geen elektrische kabels beschadigd raken. Controleer waar de elektrische kabels zich bevinden.

 **afb. 6 op pagina 5**

5. Zaag de opening zorgvuldig in het dak met behulp van een decoupeerzaag of een soortgelijk gereedschap (B).
6. Controleer of de dakopening versterigd moet worden.
7. Verwijder, indien nodig, de schuimvulling in overeenstemming met de breedte van uw versterigingslijsten (niet bij de levering inbegrepen) (A).

 **afb. 7 op pagina 5**

8. Pas de versterigingslijsten erin (B).

In een bestaande opening monteren

9. Verwijder alle schroeven en bevestigingselementen van het bestaande dakraam of de bestaande airco.

 **afb. 8 op pagina 5**

10. Verwijder het dakraam of de dakairconditioning.
11. Verwijder het afdichtingsmiddel rond de opening met een schraper of een soortgelijk gereedschap.

 **afb. 9 op pagina 5**

De aansluitkabels leggen

12. Controleer of de spanning op het typeplaatje van de dakairconditioning overeenkomt met de aanwezige stroomvoorziening. De dakairconditioning moet worden aangesloten op een stroomkring die in staat is de benodigde stroom te leveren (Technische gegevens).
13. Zorg ervoor dat de stroomvoorziening een aardlekschakelaar bevat (< 30 mA). Installeer een aardlekschakelaar als deze nog ontbreekt.
14. Installeer een netschakelaar voor alle polen met een contactopening van minstens 3 mm aan de installatiezijde.
15. Kies de doorsnede van de voedingskabel in overeenstemming met de kabellengte:
- Lengte < 7,5 m: 1,5 mm²
 - Lengte > 7,5 m: 2,5 mm²
16. Maak een opening aan één zijde voor de doorvoer van de voedingskabel.

 **afb. 10 op pagina 5**

17. Leg de voedingskabel door de opening in het interieur van het voertuig.

De dakeenheid monteren

18. Dicht rondom de onderzijde van het dakframe af met een flexibele butyleenkit die niet hard wordt (bijv. SikaLas-tomer-710, Selleys Butyl Mastic, Bostik Ezycaulk butyl sealant of vergelijkbare producten). Neem ook de instructies van de fabrikant van het afdichtingsmiddel in acht.

 **afb. 11 op pagina 6**

19. Richt het dakframe aan de hand van de afmetingen van de opening.
20. Pas het dakframe in de dakopening.

 **afb. 12 op pagina 6**

21. Til de dakeenheid op het dak van het voertuig. Houd rekening met de rijrichting.

22. Plaats de dakeenheid in het dakframe en lijn deze uit in de groef van het dakframe. Gebruik de hoeken aan de voorkant van het dakframe om de dakeenheid uit te lijnen in de groef van het dakframe.

Elektrische aansluiting

23. Sluit de voedingskabel aan.

 **afb. 13 op pagina 7**

- Sluit de kabels (1) aan op een kabelverbinder (2).
 - Sluit de dakairconditioning aan op de stroomvoorziening.
 - Sluit de aarddraad aan op het aardingsstelsel van het voertuig.
24. **Alleen mechanische modellen:** verbind de kabel tussen de externe unit en de diffusor van de luchtbox.
- Trek het filter ietsje naar buiten om een gat te maken voor de communicatiekabel (3).
 - Steek de kabel door het gat en plaats de leiding in de opening.
 - Steek de communicatiestekker met 6 pennen in de stekkerbus aan de zijkant van het display in de luchtverdeelbox. Zorg ervoor dat de kabel zich in de smalle opening weg van de filterzone bevindt.
 - Borg overtollige kabel in de houders.
25. **Alleen modellen met vaste snelheid en omvormer:** Sluit de communicatiekabel aan.
- Trek het filter ietsje naar buiten om een gat te maken voor de communicatiekabel (4).
 - Steek de communicatiekabel door het gat en plaats de leiding in de opening.
 - Steek de communicatiestekker met 4 pennen in de stekkerbus aan de zijkant van het display in de luchtverdeelbox. Zorg ervoor dat de kabel zich in de smalle opening weg van de filterzone bevindt.
 - Borg overtollige kabel in de houders.

De luchtverdeelbox monteren

26. Stapel de kanaalsecties op elkaar en vergelijk ze met de dakdikte: Zorg ervoor dat de hoogte van het kanaal overeenkomt met de dakdikte of gebruik de tabel als richtlijn.

 **afb. 14 op pagina 8**

Dakdikte	Aantal kanaalsecties
25 ... 35 mm	1
35 ... 45 mm	2
45 ... 55 mm	3
55 ... 60 mm	4



INSTRUCTIE Voor dikkere daken kunnen er extra kanaalsecties worden besteld.

27. Bevestig het vereiste aantal kanaalsecties aan de luchtverdeelbox.
28. Bevestig de luchtverdeelbox met de 4 meegeleverde schroeven door de dakeenheid heen aan het plafond. Draai de schroeven vast met een momentsleutel en een aanhaalmoment van $2.5 \text{ Nm} \pm 0.3 \text{ Nm}$.

 **afb. 15 op pagina 9**

29. Druk het filter er weer helemaal in.

 **afb. 16 op pagina 9**

30. Klik de centrale afdekking op de luchtverdeelbox.

 **afb. 17 op pagina 10**

31. Informeer bij de voertuigfabrikant of na de installatie van een dakairconditioning een keuring vereist is en of de voertuighoogte in de voertuigpapieren moet worden gewijzigd:

- FreshJet FJX4233, FreshJet FJX4333, FreshJet FJX7333: Opbouwhoogte 225 mm
- FreshJet FJX7337: Opbouwhoogte 242 mm
- FreshJet FJX7457: Opbouwhoogte 283 mm

✓ De montage is nu voltooid.

Sluit de dakairconditioning aan op de stroomvoorziening en test of de dakairconditioning werkt.

12 Aansluitschema's

FJX4233M

 afb. 18 op pagina 10

FJX4233E, FJX4333E(EH), FJX7333IHP

 afb. 19 op pagina 11

FJX7333IHP

 afb. 20 op pagina 11

FJX7337IHP, FJX7457IHP

 afb. 21 op pagina 12

Luchtverdeelbox

 afb. 22 op pagina 12

13 Verwijdering



Gooi het verpakkingsmateriaal indien mogelijk altijd in recyclingafvalbakken. Vraag het dichtstbijzijnde recyclingcentrum of uw dealer naar informatie over hoe het product kan worden weggegooid in overeenstemming met alle van toepassing zijnde nationale en lokale regelgeving.



Bescherm het milieu! Accu's en batterijen horen niet thuis in het huishoudelijke afval. Geef uw defecte accu's of verbruikte batterijen af bij de leverancier of bij een verzamelpunt.

14 Technische gegevens


 afb. 23 op pagina 13  afb. 24 op pagina 13  afb. 25 op pagina 13  afb. 26 op pagina 14

Bevat gefluoreerde broeikasgassen. Hermetisch afgesloten systeem.

Hierbij verklaart Dometic dat deze radioapparatuur voldoet aan de richtlijn 2014/53/EU. De volledige tekst van de EU-conformiteitsverklaring kan worden geraadpleegd op het volgende internetadres <http://documents.dometic.com>.

	FreshJet FJX4233M
Koelvermogen volgens ISO 5151:	1500 W
AC-ingangsspanning:	220 V ... 240 V / 50 Hz
Nominale stroom koeling:	3,1 A
Benodigde zekering:	Min. 4 A, max. 16 A
Bedrijfstemperatuurbereik:	-2 °C ... 52 °C
Koelmiddel:	R410a
Koelmiddelhoeveelheid:	380 g
CO ₂ -equivalent:	0,793 t
Aardopwarmingsvermogen (GWP):	2088
Beschermingsgraad (dakeenhed):	IPX4
Geluidsniveau (hoogste ventilatorinstelling)	< 70 dB(A)
Frequentie	2,4 GHz
Maximaal vermogen radiofrequentie	19,14 dBm
Aanbevolen max. voertuiglengte (met geïsoleerde wanden):	≤ 5 m
Afmetingen l x b x h:	afb. 23
Gewicht:	< 30 kg
Keuring/certificering:	CE UK

	FreshJet FJX4233EEH	FreshJet FJX4333EEH	FreshJet FJX4333E
Koelvermogen volgens ISO 5151:	1700 W	2200 W	2200 W
Verwarmingsvermogen volgens ISO 5151:	800 W	1000 W	-
AC-ingangsspanning:	220 V ... 240 V / 50 Hz		
Nominale stroom bij koelen:	3,4 A	4,6 A	4,6 A
Nominale stroom bij verwarmen:	3,7 A	4,4 A	-
Benodigde zekering:	Min. 4 A, max. 16 A	Min. 5 A, max. 16 A	Min. 5 A, max. 16 A
Bedrijfstemperatuurbereik:	-2 °C ... 52 °C		
Koelmiddel:	R32		
Koelmiddelhoeveelheid:	320 g	360 g	360 g
CO ₂ -equivalent:	0,216 t	0,243 t	0,243 t
Aardopwarmingsvermogen (GWP):	675		

	FreshJet FJX4233EEH	FreshJet FJX4333EEH	FreshJet FJX4333E
Beschermingsgraad (dakeenheid):		IPX4	
Geluidsniveau (hoogste ventilatorinstelling)		< 70 dB(A)	
Frequentie		2,4 GHz	
Maximaal vermogen radiofrequentie		19,14 dBm	
Aanbevolen max. voertuiglengte (met geïsoleerde wanden):	≤ 6 m	≤ 7 m	≤ 7 m
Afmetingen l x b h:		afb. 24	
Gewicht:	< 30 kg	< 30 kg	< 30 kg
Keuring/certificering:		CE 	
	FreshJet FJX7333IHP	FreshJet FJX7337IHP	FreshJet FJX7457IHP
Koelvermogen volgens ISO 5151:	2200 W	3000 W	3500 W
Verwarmingsvermogen volgens ISO 5151:	2000 W	2500 W	3000 W
AC-ingangsspanning:	220 V ... 240 V / 50 Hz ... 60 Hz		
Nominale stroom koeling:	< 5,9 A	< 7,3 A	< 7,5 A
Nominale stroom verwarming:	< 3,7 A	< 5,9 A	< 6,5 A
Benodigde zekering:	Min. 6 A, max. 16 A	Min. 8 A, max. 16 A	Min. 8 A, max. 16 A
Bedrijfstemperatuurbereik:	-2 °C ... 52 °C		
Koelmiddel:	R32		
Koelmiddelhoeveelheid:	400 g	480 g	650 g
CO ₂ -equivalent:	0,270 t	0,324 t	0,439 t
Aardopwarmingsvermogen (GWP):	675		
Beschermingsgraad (dakeenheid):		IPX4	
Geluidsniveau (hoogste ventilatorinstelling)		< 70 dB(A)	
Frequentie		2,4 GHz	
Maximaal vermogen radiofrequentie		19,14 dBm	
Aanbevolen max. voertuiglengte (met geïsoleerde wanden):	≤ 7 m	≤ 7 m	> 8 m
Afmetingen l x b h:	afb. 24	afb. 25	afb. 26
Gewicht:	< 30 kg	< 35 kg	< 40 kg

NL Dometic FJX

	FreshJet FJX7333IHP	FreshJet FJX7337IHP	FreshJet FJX7457IHP
Keuring/certificering:	CE 		

Dansk

1	Vigtige henvisninger.....	105
2	Forklaring af symboler.....	105
3	Målgrupper.....	106
4	Sikkerhedshenvisninger.....	106
5	Leveringsomfang.....	107
6	Tilbehør.....	107
7	Korrekt brug.....	108
8	Liste over modeller.....	108
9	Forklaringer af symbolerne på apparatet.....	109
10	Tekniske grænser og betingelser.....	109
11	Montering.....	109
12	Strømskemaer.....	113
13	Bortskaffelse.....	114
14	Tekniske data.....	114

1 Vigtige henvisninger

Læs og følg alle disse anvisninger, retningslinjer og advarsler i denne produktvejledning grundigt for at sikre, at du altid installerer, bruger og vedligeholder produktet korrekt. Disse anvisninger SKAL opbevares sammen med dette produkt.

Ved at benytte produktet bekræfter du hermed, at du har læst alle anvisninger, retningslinjer og advarsler grundigt, og at du forstår og er indforstået med de vilkår og betingelser, der er fastlagt heri. Du er indforstået med kun at bruge dette produkt til det beregnede formål og anvendelse i overensstemmelse med anvisningerne, retningslinjerne og advarslerne i denne produktvejledning samt i overensstemmelse med alle de gældende love og forskrifter. Manglende læsning og ignorering af disse anvisninger og advarsler kan medføre kvæstelser på dig selv og andre, skade på dit produkt eller skade på anden ejendom i nærheden. Der tages forbehold for eventuelle ændringer og opdateringer af denne produktvejledning samt anvisningerne, retningslinjerne og advarslerne samt den tilhørende dokumentation. Se documents.dometic.com for de nyeste produktinformationer.

2 Forklaring af symboler



FARE!

Angiver en farlig situation, som medfører dødsfald eller alvorlig kvæstelse, såfremt den ikke undgås.



ADVARSEL!

Angiver en farlig situation, som kan medføre dødsfald eller alvorlig kvæstelse, såfremt den ikke undgås.



FORSIGTIG!

Angiver en farlig situation, som kan medføre mindre eller lette kvæstelser, såfremt den ikke undgås.



VIGTIGT!

Angiver en situation, som kan medføre materielle skader, såfremt den ikke undgås.



BEMÆRK Supplerende informationer om betjening af produktet.

3 Målgrupper



Den elektriske strømforsyning skal tilsluttes af en kvalificeret elektriker, som har dokumenterede færdigheder og viden med hensyn til konstruktion og drift af elektrisk udstyr og elektriske installationer og har gennemgået sikkerhedsuddannelse til at identificere og undgå de implicerede farer.



Den mekaniske montering skal udføres af fagfolk, der er bekendt med konstruktionen og driften af udstyret og de involverede farer.

4 Sikkerhedshenvisninger



ADVARSEL! Manglende overholdelse af disse advarsler kan medføre dødelige eller alvorlige kvæstelser.

- Apparatet må kun repareres af kvalificeret personale, som kender de involverede risici og de relevante forskrifter. Ved ukorrekte reparationer kan der opstå alvorlige farer. Ved reparationer skal du henvende dig til serviceafdelingen i dit land (se dometic.com/dealer).
- Apparatet skal installeres i overensstemmelse med nationale forskrifter for elektriske og mekaniske installationer.
- **EI-apparater er ikke legetøj.** Børn er ikke i stand til at vurdere farer, der udgår fra elektriske apparater. Lad ikke børn benytte elektriske apparater uden opsyn.
- Personer, der på grund af deres fysiske, sans- eller mentale evner eller deres uerfarenhed og uvidenhed ikke er i stand til at anvende apparatet sikkert, bør kun anvende dette produkt under en ansvarlig persons opsyn eller anvisning.
- Løsn i tilfælde af brand **ikke** det øverste dæksel på apparatet. Anvend tilladte brandslukningsmidler. Anvend ikke vand til slukning.
- Apparatet skal opbevares i et rum uden kontinuerligt åbne flammer (f.eks. et anvendt gasapparat) og antændingskilder (f.eks. en anvendt elvarmer).
- Apparatet skal opbevares vandret på et tørt, ventileret og afdækket sted.
- Apparatet må ikke gennembøres eller brændes.
- Vær opmærksom på, at kølemidler ikke nødvendigvis har en bestemt lugt.
- Tagklimaanlægget skal monteret i et køretøj med et bundområde, der er større end 4 m².



FORSIGTIG! Manglende overholdelse af disse forsigtighedshenvisninger kan medføre mindre eller moderate kvæstelser.

- Anvend kun apparatet, hvis huset og ledningerne er ubeskadigede.
- Anvend ikke apparatet i nærheden af antændelige væsker eller i lukkede rum.
- Kontrollér, at ingen brændbare genstande placeres eller monteres, hvor luften strømmer ud. Afstanden skal være på min. 50 cm.
- Grib ikke ind i luftudtagene, og stik ikke fremmedlegemer ind i apparatet.
- Bær altid beskyttelsesbriller og -handsker.



VIGTIGT! Fare for beskadigelse

- Apparatet fungerer optimalt ved 1020 mbar.
- Apparatet skal opbevares, så der ikke opstår mekaniske skader.
- Kontrollér, om komponenter i køretøjet kan blive beskadiget under monteringen (f.eks. lamper, skabe, døre osv.), før apparatet monteres. Køretøjsproducenten kan allerede have installeret punkter, hvor åbningen til monteringen af apparatet kan laves uden risiko for at svække karosseriet eller skære strømkabler over.
- Spørg køretøjsproducenten før monteringen, om karosseriet er beregnet til den statiske vægt og belastningerne på grund af tagklima anlægget, når køretøjet bevæger sig.
- Sørg for, at tagrammen er tætner korrekt på taget.
- Vælg en flad og tilstrækkelig jævn zone i midten mellem to længdeprofiler i køretøjets tag som monteringssted.
- Monteringsfladens taghældning må ikke være på mere end 10 °.
- Kontrollér, at der i køretøjets indre ikke findes hindringer for at fastgøre luftfordelingsboksen og for, at den afkølede luft strømmer ud gennem de drejelige luftfordeleryser.
- Foretag ikke ændringer af apparatet eller ombygninger på det!
- Kør aldrig ind i vaskeanlæg, når apparatet er monteret.
- Hvis der opstår fejl i kølemiddelkredsløbet, skal systemet kontrolleres af en specialvirksomhed og repareres korrekt.
- Kølemidlet må ikke lukkes ud i atmosfæren.
- Spørg køretøjsproducenten om, hvorvidt den angivne højde skal ændres i dit køretøjs indregistreringsattest som følge af monteringen af tagklima anlægget.

5 Leveringsomfang

 fig. 1 på side 3  fig. 2 på side 3

Nr. på fig. 1, fig. 2	Antal	Beskrivelse
1	1	Tagenhed
2	1	Tagramme
3	1	Luftfordelingsboks (ADB)
4	1	Midterdæksel til ADB
5	4	Kanalafsnit
6	3	Kabelforbindelser
7	4	Fastgørelsesskruer
8	1	Boksafdækning
9	1	Kun enkelte modeller: Fjernbetjening

6 Tilbehør

Kan fås som tilbehør (ikke indeholdt i leveringsomfanget):

Beskrivelse	Art.nr.
Forlængelse til kanalfsnit (hvert afsnit dækker yderligere) 10 mm	4450017931
Længere fastgørelsesskruer M6 x 160 mm (til 60 ... 120 mm tagtykkelse)	4450012023
Luftrenser	4450029486
Elvarmer	4450029487
ADB omgivelseslys	4450029488
Filtre til FreshJet FJX4233M	4450024007 4450024008
Filtre til FreshJet FJX4233EEH/FJX4333E(EH)/FJX7333IHP/FJX7337IHP/FJX7457IHP	4450025683

7 Korrekt brug

Tagklima anlægget er kun beregnet til montering på en campingvogns eller en autocampers tag med henblik på køling og opvarmning.

Tagklima anlægget er **ikke** egnet til toge, huse og lejligheder. Tagklima anlægget er **ikke** egnet til montering i entreprenørmaskiner, landbrugsmaskiner eller lignende arbejdsudstyr.

Dette produkt er kun egnet til dets beregnede formål og anvendelse i overensstemmelse med disse anvisninger.

Denne vejledning giver dig oplysninger om, hvad der er nødvendigt med henblik på en korrekt montering og/eller drift af produktet. Dårlig montering og/eller ukorrekt drift eller vedligeholdelse medfører utilstrækkelig ydeevne og mulige fejl.

Producenten påtager sig intet ansvar for kvæstelser eller skader i forbindelse med produktet, der skyldes:

- ukorrekt samling eller forbindelse inklusive for høj spænding
- ukorrekt vedligeholdelse eller brug af uoriginale reservedele, der ikke stammer fra producenten
- ændringer på produktet uden udtrykkelig tilladelse fra producenten
- brug til andre formål end dem, der er beskrevet i vejledningen.

Dometic forbeholder sig ret til at ændre produktets udseende og produktspecifikationer.

8 Liste over modeller

Der skelnes mellem mekaniske modeller, modeller med fast hastighed og inverter-modeller.

Den følgende tabel viser, hvilken funktion der gælder for en bestemt model:

- Funktioner findes
- Funktionen er ekstraudstyr

	FJX4233M	FJX4233E-EH	FJX4333E-EH	FJX4333E	FJX7333IHP	FJX7337IHP	FJX7457IHP
	Mekanisk	Fast hastighed			Inverter		
Automatisk		●	●	●	●	●	●
Køling	●	●	●	●	●	●	●
Opvarmning		●	●	○	●	●	●
Ventilation	●	●	●	●	●	●	●
Affugtning		●	●	●	●	●	●
Luftrensner	○	●	●	○	●	●	●
ADB-lys		●	●	○	●	●	●
Eksternt lys					●	●	●
Timer		●	●	●	●	●	●
Sleep		●	●	●	●	●	●
Soft start			●	○	●	●	●

9 Forklaringer af symbolerne på apparatet



Advarsel! Materiale, der brænder langsomt.



Læs betjeningsvejledningen.



Læs servicevejledningen.

10 Tekniske grænser og betingelser

Tagklima anlægget er beregnet til køretøjer med tage, der har en tykkelse på 25 mm ... 60 mm. Tagklima anlægget kan anvendes ved udenomstemperaturer på mellem -2 °C ... 52 °C. Tagklima anlægget er designet til at blive monteret inden for ± 10 ° for det vandrette niveau.

11 Montering



FARE! Fare for elektrisk stød

- Den elektriske strømforsyning i fritidskøretøjet skal tilsluttes af en kvalificeret elektriker, som har dokumenterede færdigheder og viden med hensyn til konstruktion og drift af elektrisk udstyr og elektriske installationer og har gennemgået sikkerhedsuddannelse til at identificere og undgå de implikerede farer.

- Afbryd alle spændingsforsyninger inklusive invertere, når der arbejdes på tagklima anlægget.
- Kontrollér, at apparatets strømforsyning ikke kan tilsluttes igen under installation eller vedligeholdelse.

**ADVARSEL! Fare for elektrisk stød**

- Apparatet skal installeres i overensstemmelse med nationale forskrifter for ledningsføring.
- Følgende skal inkorporeres i den faste ledningsføring i overensstemmelse med reglerne for ledningsføring: En alpolet afbrydelsesanordning, der som minimum har 3 mm afstande på alle poler, når der findes en lækagestrøm, der kan overskride 10 mA en fejlstrømsafbryder (FI-relæ) med den nominel driftsstrøm, der ikke overskrider 30 mA, en afbrydelse.
- Hvis apparatet erstatter et vindue eller en luge med en sikkerhedsrelevant tvungen ventilationsfunktion skal der installeres en ekstra sikkerhedsventilationsanordning (f.eks. en paddehaventilator eller lignende). Spørg køretøjsproducenten, hvis du er i tvivl.
- Efter installationen af tagklima anlægget skal et udledningsrør i nærheden af tagklima anlægget har en stigning på mindst 10 cm over det. Forlæng om nødvendigt udledningsrøret. Overhold anvisningerne fra producenten af varmeapparatet.

**FORSIGTIG! Vær opmærksom på kvæstelser**

- En forkert montering af tagklima anlægget kan føre til skader på apparatet, der ikke kan repareres, og kan reducere brugerens sikkerhed.
- Vær altid to om at bære eller løfte tagklima anlægget.
- Når apparatet monteres (når der bores, skrues osv.), skal det før monteringen kontrolleres, at der ikke befinder sig kabelbundter, ledninger og andre komponenter, der ikke kan ses, i monteringsområdet.
- Fastgør og træk ledningerne, så man ikke kan falde over eller beskadige dem.
- Bær altid beskyttelsesbriller og -handsker.

**VIGTIGT! Fare for beskadigelse**

- Apparatet er et forseglede system med et lukket kølekredsløb. Må ikke åbnes eller manipuleres, medmindre du er en behørigt kvalificeret tekniker.
- Anvend kabelkanaler til at trække kabler gennem vægge med skarpe kanter.
- Træk ikke ledninger løst eller med skarpe knæk ved elektrisk ledende materialer (metal).
- Træk ikke i kablerne.
- Kontrollér, at kabelføringen ikke udsættes for slid, korrosion, for kraftigt tryk, vibrationer, skarpe kanter eller andre negative miljøpåvirkninger. Kontrollen skal også omfatte påvirkningerne i forbindelse med ældning eller kontinuerlige vibrationer fra kilder som f.eks. kompressorer eller ventilatorer.
- Vær opmærksom på konstruktionstyrken for køretøjets tag. Køretøjets tag skal kunne bære vægten af tagklima anlægget uden at blive bulet eller deformeret. Spørg køretøjsproducenten, hvis du er i tvivl.

**BEMÆRK**

- Du kan finde apparatets specifikationer i Tekniske data og på den følgende typemærkater:
- Tagenhedens typemærkat fig. **3**
- Luftfordelingsboksens typemærkat fig. **4**



Du kan finde flere informationer om tagklima anlægget som f.eks. den tekniske beskrivelse eller betjeningen findes i betjeningsvejledningen, se qr.dometic.com/bdjN0x.



 **fig. 3** på side 4  **fig. 4** på side 4

1. Vælg monteringsmåden for tagklima anlægget:

- Lav en ny åbning. I dette tilfælde skal åbningen forstærkes med en passende ramme.
- Brug en eksisterende åbning i køretøjet som f.eks. en tagluge eller ved udskiftning af et gammelt tagklima anlæg.
- Sørg for at overholde følgende afstande:

Model	Objekthøjde < 60 mm	Objekthøjde > 60 mm			
	Alle 4 sider	Højre side	Venstre side*	Bagside*	Forside
FJX4333EEH	50 mm	150 mm	150 mm	150 mm	150 mm
FJX7333IHP	50 mm	150 mm	150 mm	150 mm	150 mm
FJX7337IHP	50 mm	300 mm	150 mm	150 mm	150 mm
FJX7457IHP	50 mm	300 mm	150 mm	150 mm	150 mm

* I denne sammenhæng betyder "venstre side" og "højre side", når du betragter enheden fra køretøjets front.

- Sørg for at overholde følgende afstande:

* I denne sammenhæng betyder "venstre side" og "højre side", når du betragter enheden fra køretøjets front.

Etablering af ny åbning

2. Vælg en zone på taget i midten mellem to længdeprofiler.
3. Markér åbningens position og størrelse (400 × 400 mm).

 **fig. 5** på side 4

4. Bor hjørnerne ud **(A)**.



VIGTIGT! Fare for beskadigelse

Kontrollér, at ingen strømkabler er beskadiget. Kontrollér, hvor de elektriske kabler findes.

 **fig. 6** på side 5

5. Skær åbningen i taget omhyggeligt ud med en stiksav eller lignende værktøj **(B)**.
6. Kontrollér, om taghullet skal forstærkes.
7. Fjern om nødvendigt skummet i overensstemmelse med bredden på dine forstærkningslister (ikke med i leveringsomfanget) **(A)**.

 **fig. 7** på side 5

8. Tilpas forstærkningsskinnerne **(B)**.

Montering i en eksisterende åbning

9. Fjern alle skruer og fastgørelser på den eksisterende tagluge eller klimaanlæg.

 **fig. 8** på side 5

10. Tag taglugen eller tagklimaanlægget ud.

11. Fjern tætningsmaterialet omkring åbningen med en skraber el.lign.

 **fig. 9** på side 5

Trækning af tilslutningsledninger

12. Sammenlign spændingsoplysningerne på tagklimaanlæggets mærkeplade med energiforsyningen, der er til rådighed. Klimaanlægget til tagmontering skal tilsluttes til en strømkreds, der kan levere den påkrævede strøm (Tekniske data).

13. Sørg for, at strømforsyningen har et fejlstrømsrelæ (< 30 mA). Installer et fejlstrømsrelæ, såfremt det mangler.

14. Installer en kontakt, der afbryder alle poler, med en kontaktåbningsbredde på mindst 3 mm på monteringsstedet.

15. Vælg strømforsyningens kabeltværsnit i overensstemmelse med længden:

- Længde < 7,5 m: 1,5 mm²
- Længde > 7,5 m: 2,5 mm²

16. Lav en åbning på en side for at føre strømforsyningskablet igennem.

 **fig. 10** på side 5

17. Før strømforsyningskablet gennem åbningen og ind i køretøjets kabine.

Montering af tagenheden

18. Sørg for at tætte omkring undersiden med et plastisk, ikke-hærdende butyltætningsmateriale (f.eks. SikaLastomer-710, Selleys Butyl Mastic, Bostik ezycaulk butyltætningsmiddel eller tilsvarende produkter). Overhold tætningsmasseproducentens henvisninger.

 **fig. 11** på side 6

19. Vend tagrammen i forhold til åbningens størrelse.

20. Montér tagrammen i tagåbningen.

 **fig. 12** på side 6

21. Løft tagenheden op på køretøjets tag. Vær opmærksom på kørselsretningen.

22. Positionér tagenheden i tagrammen, og justér den i tagrammens rille. Brug hjørnerne på fronten af tagrammen for at fortage justering i tagrammens rille.

Elektrisk tilslutning

23. Tilslut strømkablet.

 **fig. 13** på side 7

- a) Tilslut kablerne (1) med en kabelforbinder (2).
- b) Tilslut tagklimaanlægget til strømforsyningen.
- c) Tilslut jordkablet til køretøjets jordforbindelsessystem.

24. **Kun mekaniske modeller:** Tilslut kablet mellem den eksterne enhed og luftboksdiffuseren.

- a) Træk filteret lidt ud for at skabe en åbning til kommunikationskablet (3).
- b) Før kablet gennem åbningen, og find ledningen i åbningen.
- c) Tilslut kommunikationsstikket med 6 stikben til bøsningen på siden af displayet i luftfordelingsboksen. Sørg for, at kablet er placeret i den lille åbning, der vender væk fra filterområdet.

d) Fastgør ekstra kabel i holderne.

25. **Kun modeller med fast hastighed og inverter-modeller:** Tilslut kommunikationskablet.
- Træk filteret lidt ud for at skabe en åbning til kommunikationskablet (4).
 - Før kommunikationskablet gennem åbningen, og find ledningen i åbningen.
 - Tilslut kommunikationsstikket med 4 stikben til bøsningen på siden af displayet i luftfordelingsboksen. Sørg for, at kablet er placeret i den lille åbning, der vender væk fra filterområdet.
 - Fastgør ekstra kabel i holderne.

Montering af luftfordelingsboksen

26. Stab kanalafsnittene, og anbring dem mod tagtykkelsen: Kontrollér, at kanalhøjden passer med taghøjden, eller brug tabellen som vejledning.

 **fig. 14 på side 8**

Tagtykkelse	Antal kanalafsnit
25 ... 35 mm	1
35 ... 45 mm	2
45 ... 55 mm	3
55 ... 60 mm	4



BEMÆRK Ekstra kanalafsnit kan købes til tykkere tage.

27. Fastgør det påkrævede antal kanalafsnit på ADB.
28. Fastgør luftfordelingsboksen på loftsåbningen til tagenheden med de 4 medfølgende bolte. Spænd skruerne med en momentnøgle og et tilspændingsmoment på $2,5 \text{ Nm} \pm 0,3 \text{ Nm}$.

 **fig. 15 på side 9**

29. Skub filteret helt ind og tilbage.

 **fig. 16 på side 9**

30. Sæt midterdækslet på ADB.

 **fig. 17 på side 10**

31. Spørg køretøjsproducenten for at afklare, om et teknisk eftersyn er nødvendigt efter installation af tagklima-lægget, og om højden, der er noteret i indregistreringspapirerne, skal ændres.

- FreshJet FJX4233, FreshJet FJX4333, FreshJet FJX7333: Forøget højde 225 mm
- FreshJet FJX7337: Forøget højde 242 mm
- FreshJet FJX7457: Forøget højde 283 mm

✓ Monteringen er nu afsluttet.

Tilslut strømforsyningen, og kontrollér, om tagklima-lægget fungerer.

12 Strømskemaer

FJX4233M

 **fig. 18 på side 10**

FJX4233E, FJX4333E(EH), FJX7333IHP

 **fig. 19** på side 11

FJX7333IHP

 **fig. 20** på side 11

FJX7337IHP, FJX7457IHP

 **fig. 21** på side 12

ADB

 **fig. 22** på side 12

13 Bortskaffelse



Bortskaf så vidt muligt emballagen i affaldscontainerne til den pågældende type genbrugsaffald. Kontakt en lokal genbrugsstation eller din faghandel for at få de pågældende forskrifter om, hvordan du bortskaffer produktet i overensstemmelse med disse gældende forskrifter for bortskaffelse.



Beskyt miljøet! Genopladelige og ikke-genopladelige batterier hører ikke til i husholdningsaffaldet. Aflever defekte genopladelige batterier og brugte batterier hos forhandleren eller på et indsamlingssted.

14 Tekniske data

 **fig. 23** på side 13  **fig. 24** på side 13  **fig. 25** på side 13  **fig. 26** på side 14

Indeholder fluorerede drivhusgasser. Hermetisk tætnet udstyr.

Hermed erklærer Dometic, at dette radioudstyr er i overensstemmelse med direktiv 2014/53/EU. EU-overensstemmelseserklæringens fulde tekst kan findes på internetadressen <http://documents.dometic.com>.

	FreshJet FJX4233M
Kølekapacitet i henhold til ISO 5151:	1500 W
AC-indgangsspænding:	220 V ... 240 V / 50 Hz
Mærkestrøm køling:	3,1 A
Påkrævet sikring:	Min. 4 A, max. 16 A
Driftstemperaturområde:	-2 °C ... 52 °C
Kølemiddel:	R410a
Kølemiddelmængde:	380 g
CO ₂ ækvivalent:	0,793 t
Drivhuspotentiale (GWP):	2088
Kapslingsklasse (tagenhed):	IPX4
Lydniveau (højeste ventilatorindstilling)	< 70 dB(A)

FreshJet FJX4233M	
Frekvens	2,4 GHz
Maks. effekt for sendefrekvens	19,14 dBm
Foreslået maks. køretøjslængde (med isolerede vægge):	≤ 5 m
Mål L x B x H:	fig. 23
Vægt:	< 30 kg
Godkendelse/certifikat:	CE UK

	FreshJet FJX4233EEH	FreshJet FJX4333EEH	FreshJet FJX4333E
Kølekapacitet i henhold til ISO 5151:	1700 W	2200 W	2200 W
Varmekapacitet i henhold til ISO 5151:	800 W	1000 W	-
AC-indgangsspænding:	220 V ... 240 V / 50 Hz		
Mærkestrøm for køling:	3,4 A	4,6 A	4,6 A
Mærkestrøm for varme:	3,7 A	4,4 A	-
Påkrævet sikring:	Min. 4 A, max. 16 A	Min. 5 A, max. 16 A	Min. 5 A, max. 16 A
Driftstemperaturområde:	-2 °C ... 52 °C		
Kølemiddel:	R32		
Kølemiddelmængde:	320 g	360 g	360 g
CO ₂ ækvivalent:	0,216 t	0,243 t	0,243 t
Drivhuspotentiale (GWP):	675		
Kapslingsklasse (tagenhed):	IPX4		
Lydniveau (højeste ventilatorindstilling)	< 70 dB(A)		
Frekvens	2,4 GHz		
Maks. effekt for sendefrekvens	19,14 dBm		
Foreslået maks. køretøjslængde (med isolerede vægge):	≤ 6 m	≤ 7 m	≤ 7 m
Mål L x B x H:	fig. 24		
Vægt:	< 30 kg	< 30 kg	< 30 kg
Godkendelse/certifikat:	CE UK		

	FreshJet FJX7333IHP	FreshJet FJX7337IHP	FreshJet FJX7457IHP
Kølekapacitet i henhold til ISO 5151:	2200 W	3000 W	3500 W
Varmekapacitet i henhold til ISO 5151:	2000 W	2500 W	3000 W

DA Dometic FJX

	Freshjet FJX7333IHP	Freshjet FJX7337IHP	Freshjet FJX7457IHP
AC-indgangsspænding:	220 V ... 240 V / 50 Hz ... 60 Hz		
Mærkestrøm køling:	< 5,9 A	< 7,3 A	< 7,5 A
Mærkestrøm opvarmning:	< 3,7 A	< 5,9 A	< 6,5 A
Påkrævet sikring:	Min. 6 A, max. 16 A	Min. 8 A, max. 16 A	Min. 8 A, max. 16 A
Driftstemperaturområde:	-2 °C ... 52 °C		
Kølemiddel:	R32		
Kølemiddelmængde:	400 g	480 g	650 g
CO ₂ ækvivalent:	0,270 t	0,324 t	0,439 t
Drivhuspotentiale (GWP):	675		
Kapslingsklasse (tagenhed):	IPX4		
Lydniveau (højeste ventilator-indstilling)	< 70 dB(A)		
Frekvens	2,4 GHz		
Maks. effekt for sendefrekvens	19,14 dBm		
Foreslået maks. køretøjslængde (med isolerede vægge):	≤ 7 m	≤ 7 m	> 8 m
Mål L x B x H:	fig. 24	fig. 25	fig. 26
Vægt:	< 30 kg	< 35 kg	< 40 kg
Godkendelse/certifikat:	CE UK		

Svenska

1	Observera.....	117
2	Förklaring av symboler.....	117
3	Målgrupper.....	118
4	Säkerhetsanvisningar.....	118
5	Leveransomfattning.....	119
6	Tillbehör.....	119
7	Avsedd användning.....	120
8	Lista på modeller.....	120
9	Förklaringar av symboler på apparaten.....	121
10	Tekniska gränser och förutsättningar.....	121
11	Installation.....	121
12	Elscheman.....	125
13	Avfallshantering.....	126
14	Tekniska data.....	126

1 Observera

Läs och följ noggrant alla instruktioner, direktiv och varningar i den här produkthandboken för att säkerställa att du alltid installerar, använder och underhåller produkten på rätt sätt. Dessa instruktioner **MÅSTE** förvaras tillsammans med produkten.

Genom att använda produkten bekräftar du härmed att du noggrant har läst alla instruktioner, direktiv och varningar och att du förstår och är införstådd med att följa de villkor som anges här. Du är införstådd med att endast använda denna produkt i avsett syfte och i enlighet med instruktionerna, direktiven och varningarna som anges i denna produkthandbok samt i enlighet med alla gällande lagar och bestämmelser. Om du inte läser och följer instruktionerna och varningarna som anges här kan det leda till personskador på dig eller andra, på produkten eller annan egendom i närheten. Denna produkthandbok, inklusive instruktionerna, direktiven och varningarna samt relaterad information, kan ändras och uppdateras. Aktuell produktinformation finns på documents.dometic.com.

2 Förklaring av symboler



FARA!

Anger en farlig situation som, om den inte kan undvikas, leder till döden eller allvarlig personskada.



VARNING!

Anger en farlig situation som, om den inte kan undvikas, kan leda till döden eller allvarlig personskada.



AKTA!

Anger en farlig situation som, om den inte kan undvikas, leder till lindrig eller måttlig personskada.



OBSERVERA!

Anger en situation som, om den inte kan undvikas, kan leda till materiell skada.



ANVISNING Kompletterande information om användning av produkten.

3 Målgrupper



Anslutningen av den elektriska strömförsörjningen måste utföras av en certifierad elektriker med belagda färdigheter och kunskaper om konstruktion och drift av elutrustningar samt installationer och som har genomgått en säkerhetsutbildning så att hen kan identifiera och undvika förknippade risker.



Den mekaniska installationen kan utföras av en kvalificerad person, som känner till utrustningens konstruktion och funktion och de faror som kan uppstå.

4 Säkerhetsanvisningar



VARNING! Om man underlåter att följa de här varningarna kan följden bli dödsfall eller allvarlig personskada.

- Reparation får endast genomföras av härför utbildad personal, som är förtrogen med de förbundna farorna och de gällande föreskrifterna. Icke fackmässiga reparationer kan medföra allvarliga risker. För reparationservice, kontakta servicecenter i ditt land (se dometic.com/dealer).
- Apparaten måste installeras enligt nationella bestämmelser om elektriska och mekaniska installationer.
- **Elektriska apparater är inga leksaker.** I samband med elektriska apparater kan det uppstå farliga situationer som barn är ovetande om. Låt inte barn använda elektriska apparater utan uppsikt.
- Personer som på grund av fysiska, sensoriska eller mentala funktionshinder eller på grund av oerfarenhet eller ovetande inte kan använda apparaten på ett säkert sätt, bör inte använda denna apparat utan uppsikt eller hjälp av en ansvarig person.
- Öppna **inte** den övre kåpan apparaten om en brand skulle bryta ut. Använd godkända släckningsmedel. Använd inte vatten för att släcka elden.
- Apparaten ska förvaras i ett rum utan kontinuerlig användning av öppna flammor (t.ex. gasdrivna enheter) och tändningskällor (t.ex. elektriska värmare).
- Apparaten ska förvaras i horisontalt läge i ett torrt och väl ventilerat ställe med skydd mot väder och vind.
- Stick inte hål i eller bränn apparaten.
- Tänk på att kylmedel kanske inte luktar något.
- Den takmonterade klimatanläggningen ska installeras i ett fordon med golv större än 4 m².



AKTA! Om man underlåter att följa de här försiktighetsåtgärderna kan följden bli lindrig eller måttlig personskada.

- Använd endast apparaten om höljet och kablarna är oskadade.
- Använd inte apparaten i närheten av antändliga vätskor eller i slutna utrymmen.
- Se till att inga brännbara föremål är monterade eller finns i närheten av luftutsläppet. Avståndet måste vara minst 50 cm.
- Stick inte in händerna i ventilationsöppningarna, stick inte in några främmande föremål i apparaten.
- Använd alltid skyddsglasögon och skyddshandskar.



OBSERVERA! Risk för skada

- Apparaten fungerar optimalt vid 1020 mbar.
- Apparaten ska förvaras så att mekanisk skada undviks.
- Kontrollera alltid om fordonskomponenter kan skadas genom installationen av apparaten (t.ex. lampor, skåp, dörrar etc.) innan installationen görs. Eventuellt har fordonstillverkaren redan markerat punkter där man kan tillverka öppningen för att installera apparaten utan att man för den skull riskerar att försvaga konstruktionen eller kapa strömkablar.
- Kontrollera även, med hjälp av uppgifter från fordonstillverkaren, om konstruktionen är dimensionerad för den statiska vikten och belastningen som uppstår på grund av den takmonterade klimatanläggningen i körande fordon.
- Se till att takramen är ordentligt tätad mot taket.
- Välj en plan och tillräckligt jämn yta mellan två längdprofiler på mitten av fordonstaket för montering.
- På monteringsytan får taklutningen inte vara större än 10 °.
- Se till att det inte föreligger några hinder för monteringen av luftfördelningslådan eller att den kylda luften kan strömma ut fritt ur de vridbara luftmunstyckena.
- Gör inga ändringar eller ombyggnader på apparaten!
- Kör aldrig genom en biltvättanläggning om en klimatanläggning har monterats på husbilens tak.
- Om det uppstår fel i kylkretsloppet måste anläggningen provas och repareras av behöriga installatörer.
- Köldmediet får absolut inte släppas ut i atmosfären.
- Fråga fordonstillverkaren om höjden som står i din fordonsdokumentation måste ändras på grund av installationen av den takmonterade klimatanläggningen.

5 Leveransomfattning

bild. 1 sida 3 bild. 2 sida 3

Nr i bild. 1, bild. 2	Mängd	Beskrivning
1	1	Takenhet
2	1	Takram
3	1	Luftfördelningslåda (ADB)
4	1	ADB-mittkåpa
5	4	Rörsegment
6	3	Kabelklämmor
7	4	Fästskruvar
8	1	Lock
9	1	Endast vissa modeller: Fjärrkontroll

6 Tillbehör

Följande tillbehör finns tillgängliga (ingår inte i leveransen):

Beskrivning	Art.nr
Förlängda rörsegment (varje segment täcker ytterligare 10 mm)	4450017931
Längre fästskruvar M6 x 160 mm (för 60 ... 120 mm taktjocklek)	4450012023
Luftrenare	4450029486
Elektrisk värmare	4450029487
ADB bakgrundsbelysning	4450029488
Filter för FreshJet FJX4233M	4450024007 4450024008
Filter för FreshJet FJX4233EEH/FJX4333E(EH)/FJX7333IHP/FJX7337IHP/FJX7457IHP	4450025683

7 Avsedd användning

Den takmonterade klimatanläggningen är endast avsedd för installation på ett tak på en husvagn eller husbil för att kyla eller värma.

Den takmonterade klimatanläggningen är **inte** lämplig för tåg, hus och lägenheter. Den takmonterade klimatanläggningen är **inte** lämplig för byggmaskiner, jordbruksmaskiner eller andra arbetsmaskiner.

Den här produkten lämpar sig endast för avsedd användning i enlighet med denna bruksanvisning.

Den här manualen informerar om vad som krävs för att installera och/eller använda produkten på rätt sätt. Felaktig installation och/eller användning eller felaktigt underhåll kommer leda till att produkten inte fungerar optimalt och riskerar gå sönder.

Tillverkaren åtar sig inget ansvar för personskador eller materiella skador på produkten som uppstår till följd av:

- Felaktig installation, montering eller anslutning, inklusive för hög spänning
- Felaktigt underhåll eller användning av reservdelar som inte är originaldelar från tillverkaren
- Ändringar som utförts utan uttryckligt medgivande från tillverkaren
- Användning för andra ändamål än de som beskrivs i denna bruksanvisning

Dometic förbehåller sig rätten att ändra produktens utseende och specifikationer.

8 Lista på modeller

Modellerna delas in i mekaniska modeller, med konstant hastighet och modeller med växeltaktare.

Följande tabell visar vilken funktion som finns till de specifika modellerna:

- Funktionen är tillgänglig
- Funktionen kan uppgraderas

	FJX4233M	FJX4233E-EH	FJX4333E-EH	FJX4333E	FJX7333IHP	FJX7337IHP	FJX7457IHP
	Mekanisk	Konstant hastighet			Växelskifte		
Automatisk		●	●	●	●	●	●
Kylning	●	●	●	●	●	●	●
Värme		●	●	○	●	●	●
Ventilation	●	●	●	●	●	●	●
Avfuktning		●	●	●	●	●	●
Luftrenare	○	●	●	○	●	●	●
ADB-belysning		●	●	○	●	●	●
Extern belysning					●	●	●
Timer		●	●	●	●	●	●
Sovläget		●	●	●	●	●	●
Soft start			●	○	●	●	●

9 Förklaringar av symboler på apparaten



Varning! Material med låg förbränningshastighet.



Läs bruksanvisningen.



Läs servicemanualen.

10 Tekniska gränser och förutsättningar

Den takmonterade klimatanläggningen är avsedd för fordon med en taktjocklek på 25 mm ... 60 mm. Den takmonterade klimatanläggningen fungerar i omgivningstemperaturer på -2 °C ... 52 °C. Den takmonterade klimatanläggningen är konstruerad för att monteras horisontalt inom ± 10 °.

11 Installation



FARA! Risk för dödsfall på grund av elektricitet

- Anslutningen av den elektriska strömförsörjningen i fritidsfordonet måste utföras av en certifierad elektriker med belagda färdigheter och kunskaper om konstruktion och drift av elutrustningar samt

installationer och som har genomgått en säkerhetsutbildning för att identifiera och undvika förknippade risker.

- Stäng alltid av all strömförsörjning inklusive växelriktare innan arbeten utförs på den takmonterade klimatanläggningen.
- Se till att spänningsförsörjningen till apparaterna inte kan kopplas in medan installation eller underhåll pågår.

**WARNING! Risk för dödsfall på grund av elektricitet**

- Apparaten måste installeras enligt nationella bestämmelser om kabeldragning.
- Följande måste integreras i den fasta ledningsdragningen, enligt bestämmelserna för elledning: En allpolig fränkopplingsanordning som har minst 3 mm utrymme i alla poler; vid läckström som kan överskrida 10 mA en jordfelsbrytare (RCD) med en nominell restström som inte överskrider 30 mA; en brytare.
- Om apparaten ersätter ett fönster eller en lucka med säkerhetsrelevanta ventilationsfunktioner ska en extra ventilationsanordning monteras (t.ex. en svampfläkt eller liknande). Kontakta tillverkaren i tveksamma fall.
- Efter installationen av den takmonterade klimatanläggningen måste det finnas en frånluftsventil i närheten av den takmonterade klimatanläggningen, som ligger minst 10 cm ovanför den. Vid behov, förläng frånluftsventilen. Beakta anvisningarna från tillverkaren.

**AKTA! Risk för skador**

- Om den takmonterade klimatanläggningen monteras på ett felaktigt sätt kan det leda till att apparaten förstörs och/eller det kan påverka säkerheten.
- Den takmonterade klimatanläggningen ska alltid bäras eller lyftas av två personer.
- Före installationen, kontrollera existerande kablar, ledningar och andra komponenter, speciellt sådana som inte är synliga, vid installationen av apparaten (vid borrar, skruvning etc.).
- Sätt fast och dra kablarna så att ingen kan snubbla över dem och så att kablarna inte kan skadas.
- Använd alltid skyddsglasögon och skyddshandskar.

**OBSERVERA! Risk för skada**

- Apparaten är ett förseglat system med ett slutet kylkretslopp. Öppna eller manipulera inte systemet om du inte är en adekvat kvalificerad tekniker.
- Använd kabelkanaler för att dra kablar genom väggar med vassa kanter.
- Lägg inte kablarna löst eller med skarpa böjar på elektriskt ledande material (metall).
- Dra inte i kablarna.
- Kontrollera att kablarna inte kan utsättas för slitage, korrosion, stort tryck, vibrationer, vassa kanter eller andra ogynnsamma förhållanden. Vid kontrollen, ta även hänsyn till påverkan från åldrande eller kontinuerliga vibrationer från t.ex. kompressorer eller fläktar.
- Beakta fordonstaketets statiska egenskaper. Taket på fordonet måste kunna bära den takmonterade klimatanläggningens vikt utan att bukta ned eller deformeras. Kontakta tillverkaren i tveksamma fall.

**ANVISNING**

- Du hittar apparatens specifikationer i Tekniska data och på följande typetiketter:
- Typetikett på takenhet bild. **3**
- Typetikett ADB bild. **4**



Mer information om den takmonterade klimatanläggningen, som teknisk beskrivning eller reglage, finns i bruksanvisningen, se qr.dometic.com/bdijN0x.



bild. 3 sida 4 bild. 4 sida 4

1. Välj på vilket sätt du vill montera den takmonterade klimatanläggningen:

- Gör en ny öppning. I det här fallet måste man stärka öppningen med en lämplig ram.
- Använd en befintlig öppning i fordonet, som t.ex. en taklucka, eller byt ut en gammal takmonterad klimatanläggning.
- Se till att hålla följande spelrum:

Modell	Objekthöjd < 60 mm	Objekthöjd > 60 mm			
	Alla 4 sidor	Höger	Vänster *	Baksidan *	Framsidan
FJX4333EEH	50 mm	150 mm	150 mm	150 mm	150 mm
FJX7333IHP	50 mm	150 mm	150 mm	150 mm	150 mm
FJX7337IHP	50 mm	300 mm	150 mm	150 mm	150 mm
FJX7457IHP	50 mm	300 mm	150 mm	150 mm	150 mm

*

Här avser "vänster" och "höger" riktningen när enheten ses från fordonets front.

- Se till att hålla följande spelrum:

*

Här avser "vänster" och "höger" riktningen när enheten ses från fordonets front.

Göra en ny öppning

2. Välj ett område mitt på taket mellan två längdprofiler.
3. Markera positionen och storleken på öppningen (400 × 400 mm).

bild. 5 sida 4

4. Borra hörnen (A).



OBSERVERA! Risk för skada

Se till att inga elkablar skadas. Kontrollera var elkablarna sitter.

bild. 6 sida 5

5. Skär noggrant ut en öppning i taket med en sticksåg eller ett dylikt verktyg (B).
6. Kontrollera om taköppningen måste förstärkas.
7. Ta vid behov bort en del av skumfyllningen så att det motsvarar förstärkningslisternas bredd (ingår ej i leveransen) (A).

bild. 7 sida 5

8. Montera in förstärkningslisterna (B).

Installera i en befintlig öppning

9. Ta bort alla skruvar och fixurer från den befintliga takluckan eller klimatanläggningen.

 **bild. 8 sida 5**

10. Ta ut takluckan eller den takmonterade klimatanläggningen.
11. Ta bort tätningsmaterialet runt öppningen med hjälp av en skrapa el.dyl.

 **bild. 9 sida 5****Dra anslutningskablarna**

12. Kontrollera att spänningsuppgifterna på den takmonterade klimatanläggningens typskylt stämmer överens med elförsörjningen på plats. Den takmonterade klimatanläggningen måste anslutas till en strömkrets som kan leverera den ström som krävs (Tekniska data).
13. Kontrollera att elförsörjningen har en jordfelsbrytare (< 30 mA). Installera en jordfelsbrytare om den saknas.
14. Installera en allpolig brytare med en kontaktöppningsbredd på minst 3 mm på monteringsidan.
15. Välj rätt kabelarea till elförsörjningen med hänsyn till kabelns längd:
 - Längd < 7.5 m: 1,5 mm²
 - Längd > 7.5 m: 2,5 mm²
16. Gör en öppning på ena sidan för att kunna dra igenom elförsörjningskabeln.

 **bild. 10 sida 5**

17. Dra elförsörjningskabeln genom öppningen till innerutrymmet.

Installera takenheten

18. Täta runt undersidan av takramen med en flexibel icke-härdande butyltätningssmassa (t.ex. SikaLastomer-710, Selleys Butyl Mastic, Bostik ezycaulk butyltätningssmassa eller liknande produkter). Följ även anvisningarna från tätningsmedlets tillverkare.

 **bild. 11 sida 6**

19. Anpassa takramen efter öppningsstorleken.
20. Sätt in takramen i taköppningen.

 **bild. 12 sida 6**

21. Lyft upp takenheten på fordonstaket. Beakta färdriktningen.
22. Placera takenheten i takramen och rikta in den i takramens spår. Använd hörnen framtill på takramen för att rikta in den i takramens spår.

Strömförbindelse

23. Anslut elförsörjningskabeln.

 **bild. 13 sida 7**

- a) Anslut kablarna (1) till en kabelkontakt (2).
 - b) Anslut den takmonterade klimatanläggningen till elförsörjningen.
 - c) Anslut jordkabeln till fordonets jordningssystem.
24. **Endast mekaniska modeller:** Anslut kabeln mellan den externa enheten och luftspridningslådan.
 - a) Dra ut filtret något för att skapa ett tomrum för kommunikationskabeln (3).
 - b) Dra kabeln genom tomrummet och placera ledningen i öppningen.
 - c) Anslut 6-stifts kommunikationskontakten till uttaget på displayens sida i luftfördelningslådan. Kontrollera att kabeln är placerad i den lilla öppningen på avstånd från filterområdet.
 - d) Lås fast den överblivna kabeln i hållarna.
 25. **Endast modeller med konstant hastighet och växelriktare:** Anslut kommunikationskabeln.
 - a) Dra ut filtret något för att skapa ett tomrum för kommunikationskabeln (4).

- b) Mata kommunikationskabeln genom tomrummet och placera ledningen i öppningen.
- c) Anslut 4-stifts kommunikationskontakten till uttaget på displayens sida i luftfördelningslådan. Kontrollera att kabeln är placerad i den lilla öppningen på avstånd från filterområdet.
- d) Lås fast den överblivna kabeln i hållarna.

Installera luftfördelningslådan

26. Stapla rörsegmenten och placera dem så att det överensstämmer med takets tjocklek: Säkerställ att rörhöjden överensstämmer med takets tjocklek eller använd tabellen.

 bild. 14 sida 8

Takets tjocklek	Antal kanalsegment
25 ... 35 mm	1
35 ... 45 mm	2
45 ... 55 mm	3
55 ... 60 mm	4



ANVISNING Det går att köpa fler kanalsegment för tjockare tak.

27. Sätt fast nödvändigt antal kanalsegment ADB-enheten.
28. Sätt fast luftfördelningslådan ADB i taket genom takenheten med de medföljande 4 skruvarna. Dra åt skruvarna med en momentnyckel, åtdragningsmoment $2.5 \text{ Nm} \pm 0.3 \text{ Nm}$.

 bild. 15 sida 9

29. Tryck tillbaka filtret hela vägen in.

 bild. 16 sida 9

30. Kläm fast mittkåpan för ADB-enheten.

 bild. 17 sida 10

31. Fråga fordonstillverkaren om uppgifterna för fordonets höjd måste ändras i fordonshandlingarna, eller om en ny besiktning måste göras efter inbyggnad av den takmonterade klimatanläggningen:

- FreshJet FJX4233, FreshJet FJX4333, FreshJet FJX7333: Ökad höjd 225 mm
- FreshJet FJX7337: Ökad höjd 242 mm
- FreshJet FJX7457: Ökad höjd 283 mm

✓ Nu är installationen klar.


Anslut elförsörjningen och testa om den takmonterade klimatanläggningen fungerar.

12 Elschema

FJX4233M

 bild. 18 sida 10

FJX4233E, FJX4333E(EH), FJX7333IHP

 bild. 19 sida 11

FJX7333IHP bild. 20 sida 11**FJX7337IHP, FJX7457IHP** bild. 21 sida 12**ADB** bild. 22 sida 12

13 Avfallshantering



Placera förpackningsmaterialet i motsvarande återvinningsbehållare om möjligt. Konsultera ett lokalt återvinningscenter eller en specialiserad återförsäljare för information om hur man bortkaffar produkten i enlighet med tillämpliga bortskaffningsförfordningar.



Skydda miljön! Varken laddningsbara batterier eller andra batterier hör hemma i hushållssoporna. Lämna dina förbrukade eller defekta (laddningsbara) batterier till återförsäljaren eller till ett insamlingsställe.

14 Tekniska data

 bild. 23 sida 13  bild. 24 sida 13  bild. 25 sida 13  bild. 26 sida 14

Innehåller fluorerade växthusgaser. Hermetiskt tillsluten utrustning.

Dometic försäkrar härmed att den här radioutrustningen överensstämmer med direktivet 2014/53/EU. Hela texten till EU-försäkran om överensstämmelse finns på internetadressen <http://documents.dometic.com>.

	FreshJet FJX4233M
Kyleffekt enligt ISO 5151:	1500 W
AC ingångsspänning:	220 V ... 240 V / 50 Hz
Märkström kylning:	3,1 A
Säkringskrav:	Min. 4 A, max. 16 A
Omgivningstemperatur:	-2 °C ... 52 °C
Köldmedium:	R410a
Köldmediemängd:	380 g
CO ₂ motsvarande:	0,793 t
Global uppvärmningspotential (GWP):	2088
Skyddsklass (takenhet):	IPX4
Bullernivå (högsta fläktläge)	< 70 dB(A)
Frekvens	2,4 GHz
Maximal radiofrekvenseffekt	19,14 dBm

	FreshJet FJX4233M
Rekommenderad max. fordonslängd (med isolerade väggar):	≤ 5 m
Mått L x B x H:	bild. 23
Vikt:	< 30 kg
Provning/certifikat:	CE ENEC

	FreshJet FJX4233EEH	FreshJet FJX4333EEH	FreshJet FJX4333E
Kyleffekt enligt ISO 5151:	1700 W	2200 W	2200 W
Värmeeffekt enligt ISO 5151:	800 W	1000 W	-
AC ingångsspänning:	220 V ... 240 V / 50 Hz		
Märkkylström:	3,4 A	4,6 A	4,6 A
Märkvärmeström:	3,7 A	4,4 A	-
Säkringskrav:	Min. 4 A, max. 16 A	Min. 5 A, max. 16 A	Min. 5 A, max. 16 A
Omgivningstemperatur:	-2 °C ... 52 °C		
Köldmedium:	R32		
Köldmediemängd:	320 g	360 g	360 g
CO ₂ motsvarande:	0,216 t	0,243 t	0,243 t
Global uppvärmningspotential (GWP):	675		
Skyddsklass (takenhet):	IPX4		
Bullernivå (högsta fläktläge)	< 70 dB(A)		
Frekvens	2,4 GHz		
Maximal radiofrekvenseffekt	19,14 dBm		
Rekommenderad max. fordonslängd (med isolerade väggar):	≤ 6 m	≤ 7 m	≤ 7 m
Mått L x B x H:	bild. 24		
Vikt:	< 30 kg	< 30 kg	< 30 kg
Provning/certifikat:	CE ENEC		

	FreshJet FJX7333IHP	FreshJet FJX7337IHP	FreshJet FJX7457IHP
Kyleffekt enligt ISO 5151:	2200 W	3000 W	3500 W
Värmeeffekt enligt ISO 5151:	2000 W	2500 W	3000 W
AC ingångsspänning:	220 V ... 240 V / 50 Hz ... 60 Hz		
Märkström kylning:	< 5,9 A	< 7,3 A	< 7,5 A
Märkström värme:	< 3,7 A	< 5,9 A	< 6,5 A
Säkringskrav:	Min. 6 A, max. 16 A	Min. 8 A, max. 16 A	Min. 8 A, max. 16 A

SV Dometic FJX

	Freshjet FJX7333IHP	Freshjet FJX7337IHP	Freshjet FJX7457IHP
Omgivningstemperatur:	-2 °C ... 52 °C		
Köldmedium:	R32		
Köldmediemängd:	400 g	480 g	650 g
CO ₂ motsvarande:	0,270 t	0,324 t	0,439 t
Global uppvärmningspotential (GWP):	675		
Skyddsklass (takenhet):	IPX4		
Bullemnivå (högsta fläktläge)	< 70 dB(A)		
Frekvens	2,4 GHz		
Maximal radiofrekvens effekt	19,14 dBm		
Rekommenderad max. for- donslängd (med isolerade väg- gar):	≤ 7 m	≤ 7 m	> 8 m
Mått L x B x H:	bild. 24	bild. 25	bild. 26
Vikt:	< 30 kg	< 35 kg	< 40 kg
Provning/certifikat:	CE UK		

Norsk

1	Viktige merknader.....	129
2	Symbolforklaring.....	129
3	Målgrupper.....	130
4	Sikkerhetsinstruksjoner.....	130
5	Leveringsomfang.....	131
6	Tilbehør.....	131
7	Forskriftsmessig bruk.....	132
8	Liste over modeller.....	132
9	Symbolforklaring på apparatet.....	133
10	Tekniske begrensninger og betingelser.....	133
11	Installasjon.....	133
12	Koblingsskjemaer.....	137
13	Avfallshåndtering.....	138
14	Tekniske spesifikasjoner.....	138

1 Viktige merknader

Vennligst les disse instruksjonene nøye og følg alle anvisninger, retningslinjer og advarsler i denne produktveiledningen for å sikre at du installerer, bruker og vedlikeholder produktet ordentlig til enhver tid. Disse instruksjonene MÅ alltid følge med produktet.

Ved å bruke dette produktet bekrefter du at du har lest alle anvisninger, retningslinjer og advarsler grundig, og at du forstår og samtykker i å overholde vilkårene slik de er presentert her. Du godtar å bruke dette produktet kun til tiltenkt formål og bruksområder, og i samsvar med anvisningene, retningslinjene og advarslene slik de er presentert i denne produktveiledningen, så vel som i samsvar med alle gjeldende lovbestemmelser og forskrifter. Hvis anvisningene og advarslene som er presentert her, ikke blir lest og fulgt, kan det føre til personskader hos deg selv eller andre, skader på produktet eller skader på annen eiendom i nærheten. Denne produktveiledningen med sine anvisninger, retningslinjer og advarsler, samt relatert dokumentasjon, kan være underlagt endringer og oppdateringer. Gå til documents.dometic.com for å finne oppdatert produktinformasjon.

2 Symbolforklaring



FARE!

Kjennetegner en farlig situasjon som, dersom den ikke unngås, vil føre til alvorlige personskader, eventuelt med døden til følge.



ADVARSEL!

Kjennetegner en farlig situasjon som - dersom den ikke unngås - kan resultere i alvorlige personskader, eventuelt med døden til følge.



FORSIKTIG!

Kjennetegner en farlig situasjon som - dersom den ikke unngås - kan resultere i mindre til moderate personskader.



PASS PÅ!

Kjennetegner en situasjon som - dersom den ikke unngås - kan resultere i materielle skader.



MERK Ytterligere informasjon om betjening av produktet.

3 Målgrupper



Den elektriske strømforsyningen må opprettes av en kvalifisert fagelektriker som kan fremvise ferdigheter og kunnskaper knyttet til konstruksjon og drift av elektrisk utstyr og installasjoner, og har mottatt sikkerhetstrening for å kunne identifisere og unngå risikoer som er involvert.



Den mekaniske montasjen må utføres av kvalifisert personell som er kjent med konstruksjonen og drift av utstyret så vel som risikoene dette innebærer.

4 Sikkerhetsinstruksjoner



ADVARSEL! Manglende overholdelse av disse advarslene kan resultere i alvorlige personskader, eventuelt med døden til følge.

- Reparasjon av apparatet må kun utføres av kvalifisert personell som er kjent med farene hhv. gjeldende forskrifter. Usakkyndige reparasjoner kan føre til alvorlige farer. Ved behov for reparasjon kontakt du servicestedene i ditt land (se dometic.com/dealer).
- Apparatet skal monteres i samsvar med nasjonale forskrifter for elektriske og mekaniske installasjoner.
- **Elektriske apparater er ikke leketøy.** Barn er ikke i stand til å bedømme farer forbundet med elektriske apparater. La ikke barn bruke elektriske apparater uten tilsyn.
- Personer som på grunn av sine fysiske, sensoriske eller mentale evner, eller på grunn av sin uerfarenhet og manglende kjennskap ikke er i stand til å bruke apparatet på en sikker måte, må ikke bruke dette apparatet uten oppsyn eller anvisning fra en ansvarlig person.
- **Ikke** åpne det øvre dekselet til apparatet i tilfelle brann. Bruk kun tillatte slukkemidler. Ikke bruk vann til slukking.
- Apparatet må oppbevares i et rom uten kontinuerlige åpne flammer (for eksempel et gassapparat i drift) og tennkilder (for eksempel et varmeelement i drift).
- Apparatet skal lagres horisontalt på et tørt, ventilert og tildekket sted.
- Ikke stikk hull på eller brenn apparatet.
- Vær oppmerksom på at kjølemidler ikke nødvendigvis avgir lukt.
- Takklimaanlegget skal installeres i et kjøretøy med en gulvplass på mer enn 4 m².



FORSIKTIG! Manglende overholdelse av disse forsiktighetsvarslene kan resultere i mindre til moderate personskader.

- Bruk kun apparatet hvis du er sikker på at huset og kablene er uskadede.
- Plasser ikke apparatet i nærheten av lettantennelige væsker eller i lukkede rom.
- Påse at brennbare gjenstander ikke lagres eller monteres i nærheten av luftutløpene. Det må overholdes en avstand på minst 50 cm.
- Ta ikke inn i luftutløpene, og før ikke fremmedlegemer inn i apparatet.
- Benytt alltid vernebriller og vernehansker.



PASS PÅ! Fare for skader

- Apparatet fungerer optimalt ved 1020 mbar.
- Apparatet skal lagres slik at man unngår at det oppstår mekaniske skader.
- Før montasjen må man undersøke om eventuelle kjøretøykomponenter kan bli skadet ved montering av enheten (f.eks. lamper, skap, dører). Kjøretøyprodusenten har kanskje allerede laget punkter hvor åpningen for montasje av apparatet kan foretas uten risiko for å svekke konstruksjonen eller kutte strømledninger.
- Før montasjen må du rådføre deg med kjøretøyprodusenten om karosseriet tåler den statiske vekten og belastningene fra takklimaenlegget når kjøretøyet er i bevegelse.
- Sørg for at takrammen er forbundet riktig til taket.
- Som montasjested velger du et område som er flatt og jevnt midt på taket av kjøretøyet mellom to lengdeprofiler.
- Takhellingen til montasjeflaten må ikke være mer enn 10 °.
- Sørg for å få fastslått at det ikke er noe inne i kjøretøyet som hindrer feste av luftfordelingsboksen (ADB), eller at den avkjølte luften kan slippe ut gjennom de svingbare luftfordelingsdysene.
- Ikke foreta endringer eller ombygging av apparatet!
- Kjør aldri gjennom et automatisk vaskeanlegg dersom enheten er påmontert.
- Hvis det oppstår feil i kjølemiddelkretsløpet, må anlegget kontrolleres av fagfolk og settes forskriftsmessig i stand.
- Kjølemiddelet må under ingen omstendighet slippe ut i friluft.
- Spør kjøretøysprodusenten om høyden som er lagt inn i kjøretøysdokumentene, må endres på grunn av installasjonen av takklimaenlegget.

5 Leveringsomfang

 fig. 1 på side 3  fig. 2 på side 3

Nr. i fig. 1, fig. 2	Antall	Beskrivelse
1	1	Hustakenhet
2	1	Takramme
3	1	Luftfordelingsboks (ADB)
4	1	ADB midtdeksel
5	4	Kanalavsnitt
6	3	Kabelkontakter
7	4	Festeskruer
8	1	Boksdeksel
9	1	Kun noen modeller: Fjernkontroll

6 Tilbehør

Tilgjengelig som tilbehør (ikke inkludert i leveransen):

Beskrivelse	Art.nr.
Forlengende kanalavsnitt (hvert avsnitt dekker i tillegg 10 mm)	4450017931
Lengre festebolter M6 x 160 mm (for 60 ... 120 mm taktykkelse)	4450012023
Luftrenser	4450029486
Elektrisk varmeelement	4450029487
ADB omgivelseslys	4450029488
Filtre til FreshJet FJX4233M	4450024007 4450024008
Filtre til FreshJet FJX4233EEH/FJX4333E(EH)/FJX7333IHP/FJX7337IHP/FJX7457IHP	4450025683

7 Forskriftsmessig bruk

Takklimaanlegget er kun konstruert for montering på taket av en campingvogn eller et fritidskjøretøy for å gi kjøling og varme.

Takklimaanlegget er **ikke** egnet for tog, hus og leiligheter. Takklimaanlegget er **ikke** egnet for montering i anleggsmaskiner, jordbruksmaskiner eller lignende anleggsutstyr.

Dette produktet er kun egnet for det tiltenkte formålet og bruksområdet i samsvar med disse instruksjonene.

Denne veiledningen gir informasjon som er nødvendig for korrekt installasjon og/eller bruk av produktet. Feilaktig installasjon og/eller ukorrekt bruk eller vedlikehold vil resultere i en utilfredsstillende ytelse og mulig svikt.

Produsenten fraskriver seg ethvert ansvar for personskader eller materielle skader på produktet som følge av:

- Ukorrekt installasjon, montering eller tilkobling, inkludert for høy spenning
- Ukorrekt vedlikehold eller bruk av andre reservedeler enn originale reservedeler levert av produsenten
- Modifisering av produktet uten at det er gitt uttrykkelig godkjenning av produsenten
- Bruk til andre formål enn beskrevet i denne veiledningen

Dometic forbeholder seg rettigheten til å endre produktet ytre og produktspesifikasjoner.

8 Liste over modeller

Modellene differensieres mellom fast hastighet-, mekaniske- og vekselrettermodeller.

Den følgende tabellen viser hvilken funksjon som gjelder for en spesifikk modell:

- Egenskapen er tilgjengelig
- Egenskapen kan oppgraderes

	FJX4233M	FJX4233EEH	FJX4333EEH	FJX4333E	FJX7333IHP	FJX7337IHP	FJX7457IHP
	Mekanisk	Fast hastighet			Vekselretter		
Automatisk		●	●	●	●	●	●
Kjøling	●	●	●	●	●	●	●
Oppvarming		●	●	○	●	●	●
Ventilasjon	●	●	●	●	●	●	●
Avfukting		●	●	●	●	●	●
Luftrensere	○	●	●	○	●	●	●
ADB-lampe		●	●	○	●	●	●
Eksternt lys					●	●	●
Timer		●	●	●	●	●	●
Sleep		●	●	●	●	●	●
Soft start			●	○	●	●	●

9 Symbolforklaring på apparatet



A2L

Advarsel! Material med lav forbrenningshastighet.



Les bruksanvisningen.



Les servicehåndboken.

10 Tekniske begrensninger og betingelser

Takklimaanlegget er ment for kjøretøy med et tak med en tykkelse på 25 mm ... 60 mm. Takklimaanlegget vil drive omgivelsestemperaturer mellom -2 °C ... 52 °C. Takklimaanlegget er konstruert for montasje innenfor ± 10 ° i forhold til horisontalt plan.

11 Installasjon



FARE! Fare for elektrisk støt

- Den elektriske strømforsyningen i fritidskjøretøyet må opprettes av en kvalifisert fagelektriker som kan fremvise ferdigheter og kunnskaper knyttet til konstruksjon og drift av elektrisk utstyr og installasjoner, og har mottatt sikkerhetstrening for å kunne identifisere og unngå risikoer som er involvert.
- Ved arbeid på takklimaanlegget må alle spenningsforsyninger, inkludert vekselrettere, frakobles.

- Sørg for at apparatets strømforsyning ikke kan kobles til igjen under installasjon eller vedlikehold.

**ADVARSEL! Fare for elektrisk støt**

- Apparatet skal monteres i samsvar med nasjonale forskrifter for kabellegging.
- Følgende må integreres i den faste kablingen i samsvar med forskriftene for kabellegging: En flerpolet frakoplingsenhet som har minst 3 mm klaringer på alle poler; ved en lekkasjestrøm som kan overskride 10 mA, en jordfeilenehet (RCD) som har en nominell restarbeidsstrøm som ikke overskrider 30 mA; en frakopling.
- Hvis apparatet erstatter et vindu eller en luke med en sikkerhetsrelevant tvungen ventilasjonsfunksjon, må det legges til en ekstra sikkerhetsventilasjonsenhet (f.eks. en tallerkenville eller lignende). Hvis du er i tvil må du rådføre deg med kjøretøyprodusenten.
- Etter montering av takklimaenlegget må en avgasspipe i nærheten av takklimaenlegget stige opp minst 10 cm over anlegget. Om nødvendig forlenger du avgasspipen. Følg også anvisningene fra produsenten av varmeelementet.

**FORSIKTIG! Fare for personskader**

- Feil montering av takklimaenlegget kan føre til skader på apparatet som ikke lar seg reparere, og det kan gå ut over brukerens sikkerhet.
- Vær alltid to personer ved bæring eller løfting av takklimaenlegget.
- Før montering må man sjekke plasseringen av eksisterende ledningsnett, kabler og andre komponenter i monteringsområdet, og da især de som ikke er synlige ved montering av apparatet (ved boring eller skruing, osv.).
- Fest og legg ledningene slik at man ikke snubler i dem, og slik at man unngår å skade kablen.
- Benytt alltid vernebriller og vernehansker.

**PASS PÅ! Fare for skader**

- Apparatet er et lukket system med et lukket kjølekretsløp. Ikke åpne eller manipuler dette, med mindre du er en kvalifisert tekniker.
- Bruk kabelkanaler for å legge kabler gjennom vegger med skarpe kanter.
- Ikke legg ledninger løst eller skarpt bøyd på materiell som leder elektrisk strøm (metall).
- Ikke trekk i kablene.
- Kontroller at kabelleggingen ikke blir utsatt for slitasje, korrosjon, overdrevent trykk, vibrasjon, skarpe kanter eller andre skadelige effekter. Kontrollen skal også ta hensyn til effektene som følge av aldring eller kontinuerlig vibrasjon fra kilder som kompressorer eller vifter.
- Ta hensyn til stivheten til taket. Kjøretøytaket må tåle vekten av takklimaenlegget uten at det blir trykket inn eller deformert. Hvis du er i tvil må du rådføre deg med kjøretøyprodusenten.

**MERK**

- Du finner apparatets spesifikasjoner i Tekniske spesifikasjoner og på følgende typeskilt:
- Hustakenhetens typeskilt fig. **3**
- Luftfordelingsboksens typeskilt fig. **4**



Du finner mer informasjon om takklima­anlegget, som tekniske beskrivelse eller betjening, i bruksanvisningen. Les qr.dometic.com/bdjin0x.



fig. 3 på side 4 **fig. 4** på side 4

1. Velg din måte å montere takklima­anlegget på:

- Lag en ny åpning. I dette tilfellet må åpningen forsterkes med en passende ramme.
- Bruk en eksisterende åpning i kjøretøyet slik som en takluke eller utskiftning av et gammelt takklima­anlegg.
- Pass på at du holder følgende klaringer:

Modell	Objekthøyde < 60 mm	Objekthøyde > 60 mm			
	Alle fire sider	Høyre	Venstre *	Bakside *	Framsida
FJX4333EEH	50 mm	150 mm	150 mm	150 mm	150 mm
FJX7333IHP	50 mm	150 mm	150 mm	150 mm	150 mm
FJX7337IHP	50 mm	300 mm	150 mm	150 mm	150 mm
FJX7457IHP	50 mm	300 mm	150 mm	150 mm	150 mm

*

I denne sammenheng betyr «venstre» og «høyre» når du ser på enheten fra forsiden av kjøretøyet.

- Pass på at du holder følgende klaringer:

*

I denne sammenheng betyr «venstre» og «høyre» når du ser på enheten fra forsiden av kjøretøyet.

Lage ny åpning

2. Velg et område midt på taket mellom to lengdeprofiler.
3. Marker plasseringen og størrelsen på åpningen (400 × 400 mm).

fig. 5 på side 4

4. Bor ut hjørnene (A).



PASS PÅ! Fare for skader

Pass på at ingen strømkabler blir skadet. Sjekk hvor de elektriske kablene er plassert.

fig. 6 på side 5

5. Sag ut åpningen på taket forsiktig med en stikksag el.l. (B).
6. Sjekk om takutsparringen må forsterkes.
7. Fjern om nødvendig skummingen avhengig av bredden på forsterkingslistene (ikke inkludert) (A).

fig. 7 på side 5

8. Tilpass forsterkingslistene (B).

Montere i en eksisterende åpning

9. Fjern alle skruer og fester på den eksisterende takluken eller klima­anlegget.

fig. 8 på side 5

10. Ta ut takluken eller takklimaanelaget.
11. Fjern tetningsmaterialet rundt åpningen med en skrape e.l.

 **fig. 9** på side 5

Legge tilkoblingsledninger

12. Kontroller at spenningsspesifikasjonen på takklimaanelagets dataskilt stemmer overens med den foreliggende strømforsyningen. Takklimaanelaget må kobles til en strømkurs som er i stand til å levere den nødvendige strømmen (Tekniske spesifikasjoner).
13. Forsikre deg om at strømforsyningen har en jordfeilbryter (< 30 mA). Hvis den mangler, må du installere en jordfeilbryter.
14. Installer en flerpolet bryter med en kontaktåpningsbredde på minst 3 mm på installasjonssiden.
15. Velg diameter på strømkabelen i samsvar med ledningslengden:
 - Lengde < 7.5 m: 1,5 mm²
 - Lengde > 7.5 m: 2,5 mm²
16. Lag en åpning på en side for å føre den strømforsyningskabelen gjennom.

 **fig. 10** på side 5

17. Før strømforsyningskabelen gjennom åpningen og inn i kjøretøyets indre.

Montere hustakenheten

18. Tett rundt undersiden av takrammen med plastisk, ikke-herdet butyltetningsstoff (f.eks. SikaLastomer-710, Selloys Butyl Mastic, Bostik ezycaulk butyltetningsstoff eller lignende produkter). Følg også tipsene fra produsenten av tetningsmidlet.

 **fig. 11** på side 6

19. Orienter takrammen ut fra åpningens størrelse.
20. Tilpass takrammen i takåpningen.

 **fig. 12** på side 6

21. Løft hustakenheten opp på taket av kjøretøyet. Vær oppmerksom på kjøreretningen.
22. Plasser hustakenheten inn i takrammen og juster den inn i sporet på takrammen. For å justere i takrammens spor bruker du hjørnene på fronten av takrammen.

Elektrisk tilkobling

23. Koble til strømforsyningskabelen.

 **fig. 13** på side 7

- a) Koble tilhørende ledninger (1) til hver sin kabelklemme (2).
 - b) Koble takklimaanelaget til strømforsyningen.
 - c) Koble jordkabelen til kjøretøyets jordingssystem.
24. **Kun mekaniske modeller:** Tilkoble kabelen mellom den eksterne enheten og luftfordeleren.
 - a) Dra ut filteret litt for å skape litt plass for kommunikasjonskabelen (3).
 - b) Før kabelen gjennom åpningen og plasser ledningen i åpningen.
 - c) Koble den 6-polede kommunikasjonsplassen inn i kontakten på siden av displayet i ADB. Sørg for at kabelen er plassert i den smale åpningen som peker vekk fra filterområdet.
 - d) Sikre overflødig kabel i holderne.
 25. **Kun modeller med fast hastighet og vekselrettere:** Koble til kommunikasjonskabelen.
 - a) Dra ut filteret litt for å skape litt plass for kommunikasjonskabelen (4).
 - b) Før kommunikasjonskabelen gjennom åpningen og plasser ledningen i åpningen.

- c) Koble den 4-polede kommunikasjonspluggen inn i kontakten på siden av displayet i ADB. Sørg for at kabelen er plassert i den smale åpningen som peker vekk fra filterområdet.
- d) Sikre overflødig kabel i holderne.

Montere ADB

26. Stable kanalavsnittene og plasser dem opp mot taktykkelsen: Sørg for at kanalhøyden matcher takhøyden, eller bruk tabellen som veiledning.

 **fig. 14** på side 8

Taktykkelse	Antall kanalavsnitt
25 ... 35 mm	1
35 ... 45 mm	2
45 ... 55 mm	3
55 ... 60 mm	4



MERK Ekstra kanalavsnitt kan kjøpes for tykkere tak.

27. Fest det nødvendige antallet kanalavsnitt på ADB.
28. Fest ADB til taket gjennom hustakenheten med de 4 medleverte boltene. Trekk til skruene med en momentnøkkel og et tiltrekkingsmoment på $2.5 \text{ Nm} \pm 0,3 \text{ Nm}$.

 **fig. 15** på side 9

29. Trekk filteret helt inn igjen.

 **fig. 16** på side 9

30. Klips fast senterdekselet til ADB.

 **fig. 17** på side 10

31. Spør kjøretøyprodusenten om det er nødvendig med en teknisk inspeksjon etter montering av et takklima-
legg, og om høyden som er oppført i vognkortet, må endres:
- FreshJet FJX4233, FreshJet FJX4333, FreshJet FJX7333: Monteringshøyde 225 mm
 - FreshJet FJX7337: Monteringshøyde 242 mm
 - FreshJet FJX7457: Monteringshøyde 283 mm

✓ Montasjen er nå fullført.

Koble til strømforsyningen og sjekk om takklima-
legget fungerer.

12 Koblingskjemaer

FJX4233M

 **fig. 18** på side 10

FJX4233E, FJX4333E(EH), FJX7333IHP

 **fig. 19** på side 11

FJX7333IHP **fig. 20** på side 11**FJX7337IHP, FJX7457IHP** **fig. 21** på side 12**ADB** **fig. 22** på side 12

13 Avfallshåndtering



Lever emballasje til resirkulering så langt det er mulig. For å kaste produktet endelig ta kontakt med det lokale resirkuleringssenteret eller faghandler om hvordan du kan gjøre dette i overensstemmelse med gjeldende avfallshåndteringsforskrifter.



Bevar miljøet! Batterier hører ikke hjemme i husholdningsavfallet. Lever defekte eller brukte batterier enten til forhandleren eller på en oppsamlingsstasjon.

14 Tekniske spesifikasjoner

 **fig. 23** på side 13  **fig. 24** på side 13  **fig. 25** på side 13  **fig. 26** på side 14

Inneholder fluoriserte drivhusgasser. Hermetisk tett utstyr.

Med dette erklærer Dometic at dette radioutstyret er i samsvar med direktivet 2014/53/EU. Hele teksten for EU-samsvarserklæringen er tilgjengelig på følgende internettdress <http://documents.dometic.com>.


	FreshJet FJX4233M
Kjøleeffekt iht. ISO 5151:	1500 W
Vekselinngangsspenning:	220 V ... 240 V / 50 Hz
Nominell strøm, kjøling:	3,1 A
Nødvendig sikringsstørrelse:	Min. 4 A, maks. 16 A
Driftstemperaturområde:	-2 °C ... 52 °C
Kjølemiddel:	R410a
Kjølemidelmengde:	380 g
CO ₂ -ekvivalent:	0,793 t
GWP-verdi:	2088
Beskyttelsesklasse (hustakenhet):	IPX4
Støynivå (øverste vifteinnstilling)	< 70 dB(A)
Frekvens	2,4 GHz
Maks. radiofrekvens effekt	19,14 dBm

	FreshJet FJX4233M
Foreslått maks. kjøretøylengde (med isolerte vegger):	≤ 5 m
Mål L x B x H:	fig. 23
Vekt:	< 30 kg
Inspeksjon/sertifisering:	CE UK

	FreshJet FJX4233EEH	FreshJet FJX4333EEH	FreshJet FJX4333E
Kjøleeffekt iht. ISO 5151:	1700 W	2200 W	2200 W
Varmeeffekt iht. ISO 5151:	800 W	1000 W	–
Vekselinngangsspenning:	220 V ... 240 V / 50 Hz		
Nominell strøm, kjøling:	3,4 A	4,6 A	4,6 A
Nominell strøm, varme:	3,7 A	4,4 A	–
Nødvendig sikringsstørrelse:	Min. 4 A, maks. 16 A	Min. 5 A, maks. 16 A	Min. 5 A, maks. 16 A
Driftstemperaturområde:	-2 °C ... 52 °C		
Kjølemiddel:	R32		
Kjølemiddelmengde:	320 g	360 g	360 g
CO ₂ -ekvivalent:	0,216 t	0,243 t	0,243 t
GWP-verdi:	675		
Beskyttelsesklasse (hustakenhet):	IPX4		
Støynivå (øverste vifteinnstilling)	< 70 dB(A)		
Frekvens	2,4 GHz		
Maks. radiofrekvenseffekt	19,14 dBm		
Foreslått maks. kjøretøylengde (med isolerte vegger):	≤ 6 m	≤ 7 m	≤ 7 m
Mål L x B x H:	fig. 24		
Vekt:	< 30 kg	< 30 kg	< 30 kg
Inspeksjon/sertifisering:	CE UK		

	FreshJet FJX7333IHP	FreshJet FJX7337IHP	FreshJet FJX7457IHP
Kjøleeffekt iht. ISO 5151:	2200 W	3000 W	3500 W
Varmeeffekt iht. ISO 5151:	2000 W	2500 W	3000 W
Vekselinngangsspenning:	220 V ... 240 V / 50 Hz ... 60 Hz		
Nominell strøm, kjøling:	< 5,9 A	< 7,3 A	< 7,5 A
Nominell strøm, oppvarming:	< 3,7 A	< 5,9 A	< 6,5 A
Nødvendig sikringsstørrelse:	Min. 6 A, maks. 16 A	Min. 8 A, maks. 16 A	Min. 8 A, maks. 16 A

NB Dometic FJX

	Freshjet FJX7333IHP	Freshjet FJX7337IHP	Freshjet FJX7457IHP
Driftstemperaturområde:		-2 °C ... 52 °C	
Kjølemiddel:		R32	
Kjølemiddelmengde:	400 g	480 g	650 g
CO ₂ -ekvivalent:	0,270 t	0,324 t	0,439 t
GWP-verdi:		675	
Beskyttelsesklasse (hustakenhet):		IPX4	
Støynivå (øverste vifteinnstilling)		< 70 dB(A)	
Frekvens		2,4 GHz	
Maks. radiofrekvenseffekt		19,14 dBm	
Foreslått maks. kjøretøylengde (med isolerte vegger):	≤ 7 m	≤ 7 m	> 8 m
Mål L x B x H:	fig. 24	fig. 25	fig. 26
Vekt:	< 30 kg	< 35 kg	< 40 kg
Inspeksjon/sertifisering:		CE 	

Suomi

1	Tärkeitä huomautuksia.....	141
2	Symbolien selitykset.....	141
3	Kohderyhmät.....	142
4	Turvallisuusohjeet.....	142
5	Toimituskokonaisuus.....	143
6	Lisävarusteet.....	143
7	Käyttötarkoitus.....	144
8	Malliluettelo.....	144
9	Laitteen symbolien selitykset.....	145
10	Tekniset rajoitukset ja vaatimukset.....	145
11	Asennus.....	146
12	Liitäntäkaaviot.....	150
13	Hävittäminen.....	150
14	Tekniset tiedot.....	150

1 Tärkeitä huomautuksia

Lue nämä ohjeet huolellisesti ja noudata kaikkia tämän tuotteen käyttöohjeissa annettuja ohjeita, määräyksiä ja varoituksia. Näin varmistat, että tuotteen asennus, käyttö ja huolto sujuu aina oikein. Näiden ohjeiden TÄYTYY jäädä tuotteen yhteyteen.

Käyttämällä tuotetta vahvistat lukeneesi kaikki ohjeet, määräykset ja varoitukset huolellisesti ja että ymmärrät ja hyväksyt tässä annetut ehdot. Sitoudut käyttämään tuotetta ai-noastaan sen käyttötarkoitukseen ja ilmoitetuissa käyttökohteissa ja noudattaen tässä tuotteen käyttöohjeessa annettuja ohjeita, määräyksiä ja varoituksia sekä voimassa olevia la-keja ja määräyksiä. Tässä annettujen ohjeiden ja varoitusten lukematta ja noudattamatta jättäminen voi johtaa omaan tai muiden loukkaantumiseen, tuotteen vaurioitumiseen tai muun ympärillä olevan omaisuuden vaurioitumiseen. Tähän tuotteen käyttöohjeeseen, ohjeisiin, määräyksiin ja varoituksiin sekä ohaisdokumentteihin voidaan tehdä muutoksia ja niitä voidaan päivittää. Katso ajantasaiset tuotetiedot osoitteesta documents.dometic.com.

2 Symbolien selitykset



VAARA!

Viittaa vaaralliseen tilanteeseen, joka johtaa kuolemaan tai vakavaan loukkaantumiseen, jos sitä ei vältetä.



VAROITUS!

viittaavat vaaralliseen tilanteeseen, joka voi johtaa kuolemaan tai vakavaan loukkaantumiseen, jos ohjeita ei noudateta.



HUOMIO!

viittaavat vaaralliseen tilanteeseen, joka voi johtaa lievään tai kohtalaiseen loukkaantumiseen, jos ohjeita ei noudateta.



HUOMAUTUS!

viittaavat tilanteeseen, joka voi johtaa esinevahinkoon, jos ohjeita ei noudateta.



OHJE Tuotteen käyttöä koskevia lisätietoja.

3 Kohderyhmät



Sähköliitännän saa tehdä vain pätevä sähköasentaja, jolla on sähkölaitteiden ja -asennusten rakentamiseen ja käyttöön tarvittavat tiedot ja taidot ja joka on käynyt turvallisuuskoulutuksen ja osaa siten tunnistaa ja välttää mahdolliset vaarat.



Mekaaninen asennus täytyy teettää pätevällä henkilöllä, joka tuntee laitteen rakenteen ja toiminnan sekä niihin liittyvät vaaratekijät.

4 Turvallisuusohjeet



VAROITUS! Näiden varoitusten noudattamatta jättäminen voi johtaa kuolemaan tai vakavaan vammaan.

- Laitetta saa korjata vain pätevä ammattilainen, joka tuntee töihin liittyvät vaarat ja oleelliset määräykset. Virheellisesti suoritetuista korjauksista saattaa aiheutua huomattavia vaaroja. Käänny oman maasi huoltokiliikkeen puoleen, jos laite tarvitsee korjausta (katso dometic.com/dealer).
- Laite on asennettava kansallisten sähkö- ja mekaanista asennusta koskevien määräysten mukaisesti.
- **Sähkölaitteet eivät ole leluja.** Lapset eivät osaa arvioida sähkölaitteista aiheutuvia vaaroja oikein. Älä anna lasten käyttää sähkölaitteita ilman valvontaa.
- Henkilöiden, jotka fyysisten, sensoristen tai psyykkisten kykyjensä takia tai kokemattomuuden tai tietämättömyyden vuoksi eivät osaa käyttää laitetta turvallisesti, ei tulisi käyttää sitä ilman valvontaa tai vastuullisen henkilön antamaa opastusta.
- **Älä** irrota laitteen yläkantta tulipalon sattuessa. Käytä hyväksytyjä sammutusvälineitä. Älä käytä sammuttamiseen vettä.
- Laitetta saa säilyttää vain tilassa, jossa ei ole jatkuvaa avoliikkiä (esimerkiksi käytössä olevaa kaasulaitetta) eikä syttymislähteitä (esimerkiksi käytössä olevaa sähkölämmittintä).
- Laitetta on säilytettävä vaaka-asennossa kuivassa, katetussa tilassa, jossa on hyvä ilmanvaihto.
- Älä tee laitteeseen reikiä äläkä polta sitä.
- Huomaa, että kylmäaineissa ei saa olla hajusteita.
- Kattoilmastointilaitteen saa asentaa ajoneuvoon, jonka lattiapinta-ala on yli 4 m².



HUOMIO! Näiden varoitusten noudattamatta jättäminen voi johtaa vähäiseen tai kohtalaiseen vammaan.

- Käytä laitetta vain, jos olet varma, ettei kotelossa ja johtimissa ole vaurioita.
- Älä käytä laitetta syttyvien nesteiden lähellä äläkä suljetuissa tiloissa.
- Huolehdi siitä, että syttyviä esineitä ei säilytetä ilmavirran ulostuloaukon alueella eikä asenneta tälle alueelle. Etäisyyden täytyy olla vähintään 50 cm.
- Älä työnnä kättä ilmavirran ulostuloaukkoihin äläkä pane laitteeseen vieraita esineitä.
- Käytä aina suojalaseja ja -käsineitä.



HUOMAUTUS! Vahingonvaara

- Laite toimii optimaalisesti paineella 1020 mbar.
- Laite täytyy varastoida siten, että mekaanisia vaurioita ei pääse syntymään.
- Tarkista ennen asennusta, voiko laitteen kiinnittäminen mahdollisesti vahingoittaa ajoneuvon osia (esim. lamput, kaapit, ovet). Ajoneuvovalmistaja on saattanut jo luoda paikkoja, joihin kattoilmastointilaitteen vaatima aukko voidaan tehdä sen heikentämättä rakennetta tai johtamatta sähköjohtojen katkeamiseen.
- Varmista ajoneuvovalmistajalta ennen asennusta, kestäkö korirakenne kattoilmastointilaitteen painon ja siitä liikkuvaan ajoneuvoon aiheutuvan kuormituksen.
- Varmista, että kattokehys on tiivistetty huolellisesti katon suuntaan.
- Valitse asennuspaikaksi suora ja riittävän tasainen alue ajoneuvon katon keskikohdalta kahden pitkitäisprofiilin välistä.
- Katon asennuspinnan kaltevuus ei saa olla yli 10 °.
- Varmista, että ajoneuvon sisällä ei ole mitään estettä, joka voisi haitata ilmanjakolaatikon kiinnittämistä tai jäähdytetyn ilman virtaamista käännettävistä ilmanjakosuuttimista.
- Älä tee laitteeseen mitään muutoksia!
- Älä missään tapauksessa aja pesulinjaan, kun laite on asennettuna.
- Jos jäähdytyskierrossa ilmenee vika, järjestelmä tulee tarkastaa ammattiliikkeessä ja korjata asianmukaisesti.
- Kylmäainetta ei saa päästää ilmaan.
- Tiedustele ajoneuvovalmistajalta, täytyykö ajoneuvon asiakirjoihin merkittyä korkeutta muuttaa kattoilmastointilaitteen asentamisesta johtuen.

5 Toimituskokonaisuus

 kuva. 1 sivulla 3  kuva. 2 sivulla 3

Nro kohdassa kuva. 1, kuva. 2	Määrä	Kuvaus
1	1	Kattoyksikkö
2	1	Kattokehys
3	1	Ilmanjakolaatikko (ADB)
4	1	Ilmanjakolaatikko-keskikansi
5	4	Kanavan osat
6	3	Johtokiinnittimet
7	4	Kiinnitysruuvit
8	1	Kotelo
9	1	Vain tietyt mallit: Kaukosäädin

6 Lisävarusteet

Saatavissa lisävarusteena (ei sisälly toimituskokonaisuuteen):

Kuvaus	Tuotenro
Kanavan jatko-osat (jokainen osa lisää pituutta 10 mm)	4450017931
Pidemmät kiinnitysruuvit M6 x 160 mm (kattopakasuuksille 60 ... 120 mm)	4450012023
Ilmanpuhdistin	4450029486
Sähkölämmitin	4450029487
ADB ympäristövalo	4450029488
Suodattimet malliin FreshJet FJX4233M	4450024007 4450024008
Suodattimet malleihin FreshJet FJX4233EEH/FJX4333E(EH)/FJX7333IHP/FJX7337IHP/ FJX7457IHP	4450025683

7 Käyttötarkoitus

Kattoilmastointilaite on suunniteltu asennettavaksi vain matkailuvaunun tai asuntoauton katolle viilentämään ja lämmitämään sisätilaa.

Kattoilmastointilaite **ei** sovellu juniin, taloihin eikä asuntoihin. Kattoilmastointilaite **ei** sovi asennettavaksi rakennuskoneisiin, maatalouskoneisiin tai muihin vastaaviin työkoneisiin.

Tämä tuote soveltuu ainoastaan näissä ohjeissa ilmoitettuun käyttötarkoitukseen ja käyttökohteeseen.

Näistä ohjeista saat tuotteen asianmukaiseen asennukseen ja/tai käyttöön tarvittavat tiedot. Väärin tehdyn asennuksen ja/tai väärän käyttötavan tai vääränlaisen huollon seurauksena laite ei toimi tyydyttävästi, ja se saattaa mennä epäkuuntoon.

Valmistaja ei ota vastuuta tapaturmista tai tuotevaurioista, jotka johtuvat seuraavista:

- Väärin tehty asennus tai liitäntä, ylijännite mukaan lukien
- Väärin tehty huolto tai muiden kuin valmistajalta saatavien alkuperäisten varaosien käyttö
- Tuotteeseen ilman valmistajan nimenomaista lupaa tehdyt muutokset
- Käyttö muuhun kuin tässä ohjeessa ilmoitettuun tarkoitukseen

Dometic pidättää itsellään oikeuden muutoksiin tuotteen ulkonäössä ja spesifikaatioissa.

8 Malliluettelo

Mallit jaetaan mekaanisiin, yksiteho- ja invertterimalleihin.

Seuraavasta taulukosta näet, mitä toimintoja missäkin mallissa on:

- Mallissa on kyseinen toiminto
- Malliin voidaan lisätä kyseinen toiminto

	FJX4233M	FJX4233EEH	FJX4333EEH	FJX4333E	FJX7333IHP	FJX7337IHP	FJX7457IHP
	Mekaaninen	Yksiteho			Inverteri		
Automaattinen		●	●	●	●	●	●
Jäähdytys	●	●	●	●	●	●	●
Lämmitys		●	●	○	●	●	●
Tuuletus	●	●	●	●	●	●	●
Kosteuden poisto		●	●	●	●	●	●
Ilmanpuhdistin	○	●	●	○	●	●	●
ADB-valo		●	●	○	●	●	●
Ulkoinen valo					●	●	●
Ajastin		●	●	●	●	●	●
Sleep-toiminto		●	●	●	●	●	●
Pehmeä käynnistys			●	○	●	●	●

9 Laitteen symbolien selitykset



Varoitus! Matalan palamistason materiaali.



Lue käyttöohje.



Lue huoltokirja.

10 Tekniset rajoitukset ja vaatimukset

Kattoilmastointilaite on tarkoitettu ajoneuvoihin, joiden katon paksuus on 25 mm ... 60 mm. Kattoilmastointilaite toimii ympäristön lämpötila-alueella -2 °C ... 52 °C. Kattoilmastointilaite on tarkoitettu asennettavaksi ± 10 ° kulmaan vaakatasoon nähden.

11 Asennus



VAARA! Sähköiskun vaara

- Vapaa-ajan ajoneuvon sähköliitännän saa tehdä vain pätevä sähköasentaja, jolla on sähkölaitteiden ja -asennusten rakentamiseen ja käyttöön tarvittavat tiedot ja taidot ja joka on käynyt turvallisuuskoulutuksen ja osaa siten tunnistaa ja välttää mahdolliset vaarat.
- Erota kaikki jännitelähteet, invertteri mukaan lukien, kattoilmastointilaitteen parissa tehtävien töiden ajaksi.
- Varmista, että laitteen jännitteensaanti ei voi kytkeytyä uudelleen päälle asennus- tai huoltotöiden aikana.



VAROITUS! Sähköiskun vaara

- Laite on asennettava kansallisten johdotusmääräysten mukaisesti.
- Kiinteään johdotukseen täytyy asentaa johdotussääntöjen mukaisesti seuraavat: kaikki navat erottava laite, jossa on vähintään 3 mm vapaata paikkaa kaikissa navoissa; kun vuotovirta voi olla yli 10 mA, vikavirtasuojakytkin (RCD), jonka nimellinen vikavirta on enintään 30 mA; erotuslaite.
- Jos laitteella korvataan ikkuna tai kattoluukku, jolla on turvallisuuden kannalta olennainen pakkotuuletustehtävä, on asennettava lisäksi turvaimanvaihtolaite (kuten poistopuhallin). Jos et ole varma, keskustele asiasta ajoneuvovalmistajan kanssa.
- Kun kattoilmastointilaitte on asennettu, kattoilmastointilaitteen lähellä olevan poistopiipun täytyy ulottua vähintään 10 cm korkeammalle. Poistopiippua täytyy pidentää tarvittaessa. Noudata lämmityslaitteiston valmistajan ohjeita.



HUOMIO! Loukkaantumisvaara

- Kattoilmastointilaitteen väärin tehty asennus voi johtaa laitteen peruuttamattomaan vahingoittumiseen ja vaarantaa käyttäjän turvallisuuden.
- Pyydä aina joku apuun, kun kattoilmastointilaitetta täytyy kantaa tai nostaa.
- Ennen laitteen asennustöiden (poraamisen tai ruuvaamisen) aloittamista on turvallisuussyistä tarkastettava, missä kohtaa asennuspaikassa on johtosarjoja, johtimia ja muita komponentteja, etenkin piiloasennettuja.
- Kiinnitä ja sijoita johdot siten, että niihin ei voi kompastua ja että johdot eivät voi vaurioitua.
- Käytä aina suojalaseja ja -käsineitä.



HUOMAUTUS! Vahingonvaara

- Laite on tiivistetty järjestelmää, jossa on suljettu jäähdytyskierto. Älä avaa sitä äläkä tee siihen muutoksia, ellei ole asentaja, jolla on vaadittava pätevyys.
- Käytä johtokanavia johtojen vetämiseen teräväreunaisten seinien läpi.
- Älä aseta irrallisia tai teräville taitteille asetettuja johtimia sähköä johtavien materiaalien (metalli) päälle.
- Älä vedä johdosta.
- Varmista, että johdotus ei altistu kulumiselle, korroosiolle, liian suurelle paineelle, värinälle, teräville reunoille eikä muillekaan haitallisille ympäristövaikutuksille. Tarkastuksessa on otettava huomioon myös vanhenemisesta ja esimerkiksi kompressoriryksikön tai tuulettimen aiheuttamasta jatkuvasta värinästä johtuvat vaikutukset.
- Ota huomioon ajoneuvon katon statiikka. Ajoneuvon katon täytyy kestää kattoilmastointilaitteen paino painumatta lommolle tai muuttamatta muotoaan. Jos et ole varma, keskustele asiasta ajoneuvovalmistajan kanssa.

**OHJE**

- Katso laitteen spesifikaatiot kohdasta Tekniset tiedot ja seuraavista tyyppietiketistä:
- Kattoyksikön tyyppietiketti kuva. **3**
- Ilmanjakolaatikon tyyppietiketti kuva. **4**



Lisätietoa kattoilmastointilaitteista, esimerkiksi teknisen kuvauksen ja tietoa ohjauslaitteista, saat käyttöohjeesta, ks. gr.dometic.com/bdijN0x.



kuva. **3** sivulla **4** kuva. **4** sivulla **4**

1. Valitse kattoilmastointilaitteen asennustapa:

- Tee uusi aukko. Tässä tapauksessa aukko täytyy vahvistaa sopivalla kehyksellä.
- Käytä ajoneuvossa olemassa olevaa aukkoa, esimerkiksi kattoluukua, tai vaihda vanha kattoilmastointilaitte.
- Huomaa seuraavassa ilmoitettu tilantarve:

Malli	Esineen korkeus < 60 mm	Esineen korkeus > 60 mm			
	Kaikkiin 4 suuntaan	Oikealle	Vasemmalle	Taakse*	Eteen
FJX4333EEH	50 mm	150 mm	150 mm	150 mm	150 mm
FJX7333IHP	50 mm	150 mm	150 mm	150 mm	150 mm
FJX7337IHP	50 mm	300 mm	150 mm	150 mm	150 mm
FJX7457IHP	50 mm	300 mm	150 mm	150 mm	150 mm

* "Oikealle" ja "vasemmalle" ajoneuvon keulan suunnasta katsottuna.

- Huomaa seuraavassa ilmoitettu tilantarve:

* "Oikealle" ja "vasemmalle" ajoneuvon keulan suunnasta katsottuna.

Uuden aukon tekeminen

2. Valitse katolta keskellä oleva alue kahden pitkittäisprofiilin välissä.
3. Merkitse aukon sijainti ja koko (400 × 400 mm).

kuva. **5** sivulla **4**

4. Poraa kulmiin reiät **(A)**.

**HUOMAUTUS! Vahingonvaara**

Varo vaurioittamasta sähköjohtoja. Tarkista, missä sähköjohtoja on.

kuva. **6** sivulla **5**

5. Sahaa aukko kattoon huolellisesti pistosahalla tms. **(B)**.
6. Selvitä, täytyykö kattoaukkoa vahvistaa.
7. Poista mahdollinen vaahtomuovi vahvistuslistojen (eivät sisälly toimitukseen) leveydeltä **(A)**.

 **kuva. 7 sivulla 5**

8. Sovita vahvistuslistat paikalleen (B).

Asennus olemassa olevaan aukkoon

9. Poista kaikki olemassa olevan kattoluukun tai ilmastointilaitteen ruuvit ja kiinnittimet.

 **kuva. 8 sivulla 5**

10. Ota kattoluukku tai kattoilmastointilaitte pois.
11. Poista aukon ympärillä olevat tiivisteet pois kaapimella tms.

 **kuva. 9 sivulla 5****Liitäntäjohtojen vetäminen**

12. Vertaa kattoilmastointilaitteen tyyppietiketin jännitetietoja käytettävissä olevaan energiansyöttöön. Kattoilmastointilaitte täytyy liittää sähköpiiriin, joka kykenee antamaan vaadittavan virran (Tekniset tiedot).
13. Varmista, että energiansyötössä on vikavirtakatkaisin (< 30 mA). Jos ei ole, asenna vikavirtakatkaisin.
14. Asenna asennuspuolelle kaikki navat kytkevä katkaisin, jonka kärkiväli on vähintään 3 mm.
15. Valitse virtajohtojen poikkipinta-ala johdon pituuden mukaan:
- Pituus < 7.5 m: 1,5 mm²
 - Pituus > 7.5 m: 2,5 mm²
16. Tee toiselle puolelle aukko, jonka kautta viet virtajohtojen.

 **kuva. 10 sivulla 5**

17. Vedä virtajohto aukon läpi ajoneuvon sisätilaan.

Kattoyksikön asennus

18. Tiivistä kattokehys alaspäin kauttaaltaan; käytä tiivistämiseen joustavaa, kovettumatonta butyyliitiivistemassaa (esim. SikaLastomer-710, Selleys Butyl Mastic, Bostik ezycaulk -butyyliitiivisteainetta tai vastaavaa). Noudata myös tiivisteainevalmistajan ohjeita.

 **kuva. 11 sivulla 6**

19. Valitse kattokehys aukon kokoa vastaavasti.
20. Sovita kattokehys kattoaukkoon.

 **kuva. 12 sivulla 6**

21. Nosta kattoyksikkö ajoneuvon katolle. Ota ajosuunta huomioon.
22. Sijoita kattoyksikkö kattokehykseen ja sovita kattokehys uraan. Kattokehys uraan soveltaminen aloitetaan kattokehys etukulmista.

Sähköinen liitäntä

23. Liitä virtajohto.

 **kuva. 13 sivulla 7**

- a) Liitä johdot (1) kaapeliliittimeen (2).
b) Liitä kattoilmastointilaitte virransyöttöön.
c) Liitä maadotusjohto ajoneuvon maadotusjärjestelmään.
24. **Vain mekaaniset mallit:** Liitä ulkoyksikön ja ilmanjakolaatikon välinen johto.
- a) Vedä suodatinta hieman ulos, jotta syntyy rako tiedonsiirtojohtoa (3) varten.
b) Työnnä johto raon kautta ja laita johto aukkoon.

- c) Yhdistä tietoliikennejohdon 6-napainen pistoke liittimeen, joka on näytön puolella ilmanjakolaatikossa. Varmista, että johto on pienessä aukossa etäällä suodatinalueelta.
- d) Kiinnitä ylimääräinen johto pidikkeisiin.

25. **Vain yksiteho- ja invertterimallit:** Liitä tietoliikennejohto.

- a) Vedä suodatinta hieman ulos, jotta syntyy rako tiedonsiirtojohtoa (4) varten.
- b) Työnnä tietoliikennejohto raon läpi ja laita johto aukkoon.
- c) Yhdistä tietoliikennejohdon 4-napainen pistoke liittimeen, joka on näytön puolella ilmanjakolaatikossa. Varmista, että johto on pienessä aukossa etäällä suodatinalueelta.
- d) Kiinnitä ylimääräinen johto pidikkeisiin.

Illmanjakolaatikon asennus

26. Kokoa kanavan osat ja sijoita ne katon paksuuden mukaisesti: Varmista, että kanavan korkeus vastaa katon korkeutta, tai käytä taulukkoa osiittana.

 **kuva. 14 sivulla 8**

Katon paksuus	Kanavakappaleiden määrä
25 ... 35 mm	1
35 ... 45 mm	2
45 ... 55 mm	3
55 ... 60 mm	4



OHJE Paksumpia kattoja varten voi tilata lisää kanavakappaleita.

27. Liitä ilmanjakolaatikkoon tarvittava määrä kanavakappaleita.
28. Kiinnitä ilmanjakolaatikko sisäkattoon 4:llä kattoyksikön läpi menevällä ruuvilla, jotka sisältyvät toimitukseen. Kiristä ruuvit momenttiavaimella kiristystiukkuuteen $2.5 \text{ Nm} \pm 0.3 \text{ Nm}$.

 **kuva. 15 sivulla 9**

29. Työnnä suodatin takaisin kokonaan sisään.

 **kuva. 16 sivulla 9**

30. Kiinnitä keskikansi ilmanjakolaatikkoon.

 **kuva. 17 sivulla 10**

31. Tarkista ajoneuvovalmistajalta, täytyykö ajoneuvo katsastaa uudelleen kattoilmastointilaitteen asennuksen jälkeen ja pitääkö ajoneuvon papereihin tehtyä korkeusmerkintää muuttaa:

- FreshJet FJX4233, FreshJet FJX4333, FreshJet FJX7333: asennuskorkeus 225 mm
- FreshJet FJX7337: asennuskorkeus 242 mm
- FreshJet FJX7457: asennuskorkeus 283 mm

- ✓ Asennus on nyt valmis.

Liitä virransyöttö ja kokeile, toimiiko kattoilmastointilaite.

12 Liitäntäkaaviot

FJX4233M

 kuva. 18 sivulla 10

FJX4233E, FJX4333E(EH), FJX7333IHP

 kuva. 19 sivulla 11

FJX7333IHP

 kuva. 20 sivulla 11

FJX7337IHP, FJX7457IHP

 kuva. 21 sivulla 12

ADB

 kuva. 22 sivulla 12

13 Hävittäminen



Vie pakkausmateriaali mahdollisuuksien mukaan niille tarkoitettuihin kierrätysjäteastioihin. Tiedustele lähimmästä kierrätyskeskuksesta tai erikoisliikkeestä tuotetta koskevia yksityiskohtaisia hävittämistä koskevia ohjeita.



Muista ympäristönsuojelu! Akut ja paristot eivät kuulu kotitalousjätteen sekaan. Toimita vialliset akut tai käytetyt paristot kauppiaille tai keräyspisteeseen.

14 Tekniset tiedot

 kuva. 23 sivulla 13  kuva. 24 sivulla 13  kuva. 25 sivulla 13  kuva. 26 sivulla 14

Sisältää fluorattuja kasvihuonekaasuja. Hermeettisesti suljettu laite.

Dometic vakuuttaa, että radiolaite on direktiivin 2014/53/EU mukainen. EU-vaatimustenmukaisuusvakuutuksen teksti on luettavissa kokonaisuudessaan seuraavassa Internet-osoitteessa: <http://documents.dometic.com>.

	FreshJet FJX4233M
Jäähdytysteho ISO-5151:n mukaan:	1500 W
Vaihtovirtalöjännite:	220 V ... 240 V / 50 Hz
Nimellisvirta, jäähdytys:	3,1 A
Tarvittava sulake:	Min. 4 A, max. 16 A
Käyttölämpötila-alue:	-2 °C ... 52 °C
Kylmäaine:	R410a

	FreshJet FJX4233M
Kylmäaineen määrä:	380 g
CO ₂ -ekvivalentti:	0,793 t
Vaikutus ilmaston lämpenemiseen (GWP):	2088
Kotelointiluokka (kattoyksikkö):	IPX4
Melutaso (suurimmalla tuuletusteholla)	< 70 dB(A)
Taajuus	2,4 GHz
Radiotaajuusteho enintään	19,14 dBm
Suosittelun maks. ajoneuvopi- tuus (ml. eristetyt seinät):	≤ 5 m
Mitat P x L x K:	kuva. 23
Paino:	< 30 kg
Tarkastus/sertifikaatti:	CE UK

	FreshJet FJX4233EEH	FreshJet FJX4333EEH	FreshJet FJX4333E
Jäähdytysteho ISO-5151:n mu- kaan:	1700 W	2200 W	2200 W
Lämmitysteho ISO 5151:n mu- kaan:	800 W	1000 W	-
Vaihtovirtatulojännite:	220 V ... 240 V / 50 Hz		
Jäähdytyksen nimellisvirta:	3,4 A	4,6 A	4,6 A
Lämmityksen nimellisvirta:	3,7 A	4,4 A	-
Tarvittava sulake:	Min. 4 A, max. 16 A	Min. 5 A, max. 16 A	Min. 5 A, max. 16 A
Käyttölämpötila-alue:	-2 °C ... 52 °C		
Kylmäaine:	R32		
Kylmäaineen määrä:	320 g	360 g	360 g
CO ₂ -ekvivalentti:	0,216 t	0,243 t	0,243 t
Vaikutus ilmaston lämpenemi- seen (GWP):	675		
Kotelointiluokka (kattoyksikkö):	IPX4		
Melutaso (suurimmalla tuuletus- teholla)	< 70 dB(A)		
Taajuus	2,4 GHz		
Radiotaajuusteho enintään	19,14 dBm		
Suosittelun maks. ajoneuvopi- tuus (ml. eristetyt seinät):	≤ 6 m	≤ 7 m	≤ 7 m
Mitat P x L x K:	kuva. 24		

FI Dometic FJX

	FreshJet FJX4233EEH	FreshJet FJX4333EEH	FreshJet FJX4333E
Paino:	< 30 kg	< 30 kg	< 30 kg
Tarkastus/sertifikaatti:	CE UK		
	FreshJet FJX7333IHP	FreshJet FJX7337IHP	FreshJet FJX7457IHP
Jäähdytysteho ISO-5151:n mukaan:	2200 W	3000 W	3500 W
Lämmitysteho ISO 5151:n mukaan:	2000 W	2500 W	3000 W
Vaihtovirtatulojännite:	220 V ... 240 V / 50 Hz ... 60 Hz		
Nimellisvirta, jäähdytys:	< 5,9 A	< 7,3 A	< 7,5 A
Nimellisvirta, lämmitys:	< 3,7 A	< 5,9 A	< 6,5 A
Tarvittava sulake:	Min. 6 A, max. 16 A	Min. 8 A, max. 16 A	Min. 8 A, max. 16 A
Käyttölämpötila-alue:	-2 °C ... 52 °C		
Kylmäaine:	R32		
Kylmäaineen määrä:	400 g	480 g	650 g
CO ₂ -ekvivalentti:	0,270 t	0,324 t	0,439 t
Vaikutus ilmaston lämpenemiseen (GWP):	675		
Kotelointiluokka (kattoyksikkö):	IPX4		
Melutaso (suurimmalla tuuletusteholla)	< 70 dB(A)		
Taajuus	2,4 GHz		
Radiotaajuusteho enintään	19,14 dBm		
Suosittelun maks. ajoneuvopi- tuus (ml. eristetyt seinät):	≤ 7 m	≤ 7 m	> 8 m
Mitat P x L x K:	kuva. 24	kuva. 25	kuva. 26
Paino:	< 30 kg	< 35 kg	< 40 kg
Tarkastus/sertifikaatti:	CE UK		

Polski

1	Ważne wskazówki.....	153
2	Objaśnienie symboli.....	153
3	Odbiorcy instrukcji.....	154
4	Wskazówki bezpieczeństwa.....	154
5	W zestawie.....	155
6	Akcesoria.....	156
7	Użytkowanie zgodne z przeznaczeniem.....	156
8	Lista modeli.....	157
9	Objaśnienie symboli na urządzeniu.....	157
10	Ograniczenia techniczne i warunki zastosowania.....	158
11	Montaż.....	158
12	Schematy przyłączania.....	162
13	Utylizacja.....	163
14	Dane techniczne.....	163

1 Ważne wskazówki

Prosimy o uważne przeczytanie niniejszej instrukcji obsługi produktu i przestrzeganie wszystkich zaleceń, wskazówek oraz ostrzeżeń w niej zawartych w celu zapewnienia prawidłowego montażu, użytkowania oraz konserwacji produktu w każdej sytuacji. Niniejsza instrukcja MUSI przez cały czas pozostawać przy produkcie.

Korzystając z produktu, użytkownik potwierdza uważne przeczytanie wszelkich instrukcji, wskazówek i ostrzeżeń, ich zrozumienie oraz zobowiązuje się przestrzegać zawartych w nich warunków. Użytkownik zobowiązuje się wykorzystywać niniejszy produkt wyłącznie zgodnie z jego przeznaczeniem i zamierzonym zastosowaniem oraz z instrukcjami, wskazówkami i ostrzeżeniami wyszczególnionymi w niniejszej instrukcji produktu, jak również ze wszystkimi mającymi zastosowanie przepisami i regulacjami prawnymi. Nieprzestrzeganie zawartych tu instrukcji i ostrzeżeń może skutkować obrażeniami u użytkownika oraz osób trzecich, uszkodzeniem produktu lub też uszkodzeniem mienia w sąsiedztwie produktu. Zastrzega się możliwość wprowadzania zmian i aktualizacji niniejszej instrukcji produktu, wraz z instrukcjami, wskazówkami i ostrzeżeniami oraz powiązaną dokumentacją. Aktualne informacje dotyczące produktu można zawsze znaleźć na stronie documents.dometic.com.

2 Objasnienie symboli



NIEBEZPIECZEŃSTWO!

Wskazuje niebezpieczną sytuację, która – jeśli się jej nie uniknie – prowadzi do śmierci lub poważnych obrażeń.



OSTRZEŻENIE!

Wskazuje niebezpieczną sytuację, która – jeśli się jej nie uniknie – może prowadzić do śmierci lub poważnych obrażeń.



OSTROŻNIE!

Wskazuje niebezpieczną sytuację, która – jeśli się jej nie uniknie – może prowadzić do lekkich lub umiarkowanych obrażeń.



UWAGA!

Wskazuje sytuację, która – jeśli się jej nie uniknie – może prowadzić do powstania szkód materialnych.



WSKAZÓWKA Dodatkowe informacje dotyczące obsługi produktu.

3 Odbiorcy instrukcji



Przyłącze elektryczne musi zostać wykonane przez wykwalifikowanego elektryka, posiadającego poświadczoną kompetencje i wiedzę w zakresie budowy i obsługi urządzeń oraz instalacji elektrycznych, który przeszedł szkolenie w zakresie bezpieczeństwa, pozwalające na identyfikację i unikanie występujących zagrożeń.



Montaż mechaniczny musi wykonać wykwalifikowana osoba posiadająca wiedzę na temat budowy i działania urządzenia oraz świadoma występujących zagrożeń.

4 Wskazówki bezpieczeństwa



OSTRZEŻENIE! Nieprzestrzeganie tych ostrzeżeń może prowadzić do śmierci lub ciężkich obrażeń.

- Napraw urządzenia może dokonywać tylko odpowiednio wykwalifikowany personel, który jest świadomy potencjalnych zagrożeń i zna odpowiednie przepisy. Nieodpowiednio wykonane naprawy mogą być przyczyną poważnych zagrożeń. W celu naprawy należy zwrócić się do centrum serwisowego w danym kraju (patrz dometic.com/dealer).
- Urządzenie należy zamontować zgodnie z krajowymi przepisami dotyczącymi instalacji elektrycznej i mechanicznej.
- **Urządzenia elektryczne nie są zabawkami dla dzieci.** Dzieci nie są w stanie ocenić zagrożeń, które mogą one powodować. Nie pozwól dzieciom na korzystanie z urządzeń elektrycznych bez nadzoru.
- Osoby, które ze względu na ograniczone zdolności fizyczne, sensoryczne lub intelektualne albo też brak doświadczenia bądź odpowiedniej wiedzy nie są w stanie bezpiecznie używać urządzenia, nie powinny z niego korzystać bez nadzoru lub instruktora odpowiedzialnej osoby.
- W przypadku pożaru **nie** zdejmować górnej pokrywy urządzenia, Stosować dopuszczone środki gaśnicze. Do gaszenia nie należy używać wody.
- Urządzenie należy przechowywać w pomieszczeniach bez stale zapalonych otwartych płomieni, (np. pracujących urządzeń gazowych) oraz źródeł zapłonu (np. pracujących grzejników elektrycznych).
- Urządzenie należy przechowywać w pozycji poziomej w suchym, wentylowanym i zadaszonym miejscu.
- Nie przedziurawiać ani nie podpalać urządzenia.
- Należy mieć świadomość faktu, że czynniki chłodnicze mogą być pozbawione zapachu.
- Klimatyzator dachowy należy zamontować w pojeździe o powierzchni podłogi większej niż 4 m².



OSTROŻNIE! Nieprzestrzeganie tych uwag może prowadzić do lekkich lub umiarkowanych obrażeń.

- Urządzenia używać wyłącznie po upewnieniu się, że jego obudowa i kable nie są uszkodzone.
- Nie umieszczać urządzenia w pobliżu łatwopalnych cieczy ani w zamkniętych pomieszczeniach.

- W pobliżu wylotu powietrza nie mogą składowane ani zamontowane być żadne łatwopalne przedmioty. Należy zachować od nich odstęp co najmniej 50 cm.
- Nie sięgać do wylotów powietrza i nie wkładać żadnych przedmiotów do urządzenia.
- Zawsze nosić okulary i rękawice ochronne.



UWAGA! Ryzyko uszkodzenia

- Urządzenie działa optymalnie przy 1020 mbar.
- Urządzenie należy przechowywać w taki sposób, aby nie dopuścić do powstania uszkodzeń mechanicznych.
- Przed montażem urządzenia sprawdzić, czy nie może on spowodować uszkodzenia elementów pojazdu (takich jak lampy, szafka, drzwi). Producent pojazdu mógł już wcześniej przewidzieć punkty, w których można wykonać otwór do montażu urządzenia bez ryzyka osłabienia konstrukcji lub przecięcia przewodów zasilających.
- Przed montażem należy dowiedzieć się od producenta pojazdu, czy konstrukcja pojazdu jest przystosowana do obciążeń statycznych wywoływanych przez klimatyzator dachowy oraz obciążeń występujących, gdy pojazd jest w ruchu.
- Upewnić się, że szczelina pomiędzy ramą dachową a dachem jest prawidłowo uszczelniona.
- Jako miejsce montażu wybrać płaską i odpowiednio poziomą powierzchnię pośrodku dachu pojazdu pomiędzy dwoma podłużnymi profilami.
- Nachylenie dachu w miejscu montażu nie może przekraczać 10 °.
- Upewnić się, czy we wnętrzu pojazdu nie ma przeszkód utrudniających zamocowanie skrzynki rozdzielczej powietrza oraz wydostawanie się ochłodzonego powietrza przez ruchome dysze nawiewu.
- Nie należy dokonywać żadnych modyfikacji ani przebrojeń urządzenia.
- Nigdy nie wjeżdżać pojazdem z zamontowanym urządzeniem do automatycznych myjni samochodowych.
- W razie wystąpienia awarii w układzie chłodniczym należy zlecić kontrolę i właściwą naprawę w specjalistycznym warsztacie.
- Czynnik chłodniczy nie może dostać się do atmosfery.
- Należy dowiedzieć się od producenta pojazdu, czy ze względu na montaż klimatyzatora dachowego konieczna będzie zmiana wysokości pojazdu w jego dokumentacji.

5 W zestawie

rys. 1 na stronie 3 rys. 2 na stronie 3

Poz. na rys. 1, rys. 2	Ilość	Opis
1	1	Jednostka dachowa
2	1	Rama dachowa
3	1	Skrzynka rozdzielcza powietrza (ADB)
4	1	Pokrywa środkowa ADB
5	4	Odcinki kanałów
6	3	Łączniki kablowe
7	4	Śruby mocujące

Poz. na rys. 1 , rys. 2	Ilość	Opis
8	1	Pokrywa skrzynki
9	1	Tylko dla niektórych modeli: Pilot

6 Akcesoria

Elementy dostępne jako akcesoria (niedostarczane w zestawie):

Opis	Nr katalogowy
Przedłużające odcinki kanału (każdy odcinek obejmuje dodatkowe 10 mm)	4450017931
Dłuższe śruby mocujące M6 x 160 mm (dla grubości dachu 60 ... 120 mm)	4450012023
Oczyszczacz powietrza	4450029486
Nagrzewnica elektryczna	4450029487
Oświetlenie skrzynki rozdzielczej powietrza	4450029488
Filtry do FreshJet FJX4233M	4450024007 4450024008
Filtry do FreshJet FJX4233EEH/FJX4333E(EH)/FJX7333IHP/FJX7337IHP/FJX7457IHP	4450025683

7 Użytkowanie zgodne z przeznaczeniem

Klimatyzator dachowy jest przeznaczony wyłącznie do montażu na dachu przyczepy kempingowej lub pojazdu kempingowego w celu zapewnienia chłodzenia lub ogrzewania.

Klimatyzator dachowy **nie** jest przeznaczony do stosowania w pociągach, domach ani mieszkaniach. Klimatyzator dachowy **nie** jest przeznaczony do instalacji w maszynach budowlanych, rolniczych itp.

Niniejszy produkt jest przystosowany wyłącznie do wykorzystywania zgodnie z jego przeznaczeniem oraz zamierzonym zastosowaniem według niniejszej instrukcji.

Niniejsza instrukcja zawiera informacje, które są niezbędne do prawidłowego montażu i/lub obsługi produktu. Nieprawidłowy montaż i/lub niewłaściwa obsługa lub konserwacja powodują niezadawalające działanie i mogą prowadzić do uszkodzeń.

Producent nie ponosi żadnej odpowiedzialności za ewentualne obrażenia lub uszkodzenia produktu wynikłe z następujących przyczyn:

- Nieprawidłowy montaż, złożenie lub podłączenie, w tym zbyt wysokie napięcie
- Niewłaściwa konserwacja lub użycie innych części zamiennych niż oryginalne części zamienne dostarczone przez producenta
- Wprowadzanie zmian w produkcie bez wyraźnej zgody producenta
- Użytkowanie w celach innych niż opisane w niniejszej instrukcji obsługi

Firma Dometic zastrzega sobie prawo do zmiany wyglądu i specyfikacji produktu.

8 Lista modeli

Wyróżnia się modele mechaniczne, o stałej prędkości oraz wyposażone w przetwornicę.

W poniższej tabeli zestawiono funkcje poszczególnych modeli:

● Funkcja dostępna

○ Możliwość rozszerzenia o funkcję

	FJX4233M	FJX4233E-EH	FJX4333E-EH	FJX4333E	FJX7333IHP	FJX7337IHP	FJX7457IHP
	Mechaniczne	Stała prędkość			Przetwornica		
automatyczne		●	●	●	●	●	●
Chłodzenie	●	●	●	●	●	●	●
Ogrzewanie		●	●	○	●	●	●
Wentylacja	●	●	●	●	●	●	●
Osuszanie		●	●	●	●	●	●
Oczyszczacz powietrza	○	●	●	○	●	●	●
Lampa ADB		●	●	○	●	●	●
Zewnętrzne oświetlenie					●	●	●
Timer		●	●	●	●	●	●
Sen		●	●	●	●	●	●
Soft Start			●	○	●	●	●

9 Objaśnienie symboli na urządzeniu



A2L

Ostrzeżenie! Materiał o niskiej prędkości spalania.



Przeczytać instrukcję obsługi.



Przeczytać instrukcję serwisową.

10 Ograniczenia techniczne i warunki zastosowania

Klimatyzator dachowy przeznaczony jest do pojazdów z dachem o grubości w zakresie 25 mm ... 60 mm. Klimatyzator dachowy może pracować w temperaturach otoczenia w zakresie -2 °C ... 52 °C. Klimatyzator dachowy przeznaczony jest do montażu pod kątem maks. $\pm 10^\circ$ w stosunku do płaszczyzny poziomej.

11 Montaż



NIEBEZPIECZEŃSTWO! Ryzyko porażenia prądem

- Przyłącze elektryczne w pojeździe kempingowym musi zostać wykonane przez wykwalifikowanego elektryka, posiadającego poświadczoną kompetencje i wiedzę w zakresie budowy i obsługi urządzeń oraz instalacji elektrycznych, który przeszedł szkolenie w zakresie bezpieczeństwa, pozwalające na identyfikację i unikanie występujących zagrożeń.
- Podczas wykonywania prac przy klimatyzatorze dachowym należy odłączyć wszystkie źródła zasilania, w tym przetwornice.
- Upewnić się, że zasilanie urządzenia nie może zostać z powrotem włączone w trakcie montażu lub konserwacji.



OSTRZEŻENIE! Ryzyko porażenia prądem

- Urządzenie należy zamontować zgodnie z krajowymi przepisami dotyczącymi instalacji elektrycznych.
- Przepisy dotyczące instalacji elektrycznych wymagają, aby stała instalacja obejmowała następujące elementy: Wielobiegunowy wyłącznik o szerokości rozwarcia styków 3 mm dla wszystkich biegunów; w przypadku prądu upływowego mogącego przekraczać 10 mA: wyłącznik różnicowoprądowy (RDC) o prądzie zadziałania nieprzekraczającym 30 mA; urządzenie odłączające zasilanie.
- Jeżeli urządzenie zastępuje okno lub właz z istotną z punktu widzenia bezpieczeństwa funkcją wentylacji wymuszonej, należy zapewnić dodatkowe zabezpieczające urządzenie wentylacyjne (np. wentylator grzybkowy itp.). W razie wątpliwości należy skontaktować się z producentem pojazdu.
- Jeżeli w pobliżu klimatyzatora dachowego znajduje się komin do odprowadzania spalin, jego wylot musi znajdować się na wysokości co najmniej 10 cm powyżej zainstalowanego klimatyzatora. W razie potrzeby należy przedłużyć komin do odprowadzania spalin. Przestrzegać instrukcji producenta ogrzewania.



OSTROŻNIE! Ryzyko obrażeń

- Nieprawidłowa instalacja klimatyzatora dachowego może spowodować nieodwracalne uszkodzenie urządzenia i zagrożenie bezpieczeństwa użytkownika.
- Klimatyzator dachowy należy przenosić i podnosić zawsze w dwie osoby.
- Przed przystąpieniem do montażu urządzenia (wiercenia, przykręcania itp.) należy sprawdzić położenie istniejących, w szczególności niewidocznych wiązek przewodów, kabli i innych elementów znajdujących się w obszarze montażu.
- Przewody należy podłączać i układać w sposób pozwalający uniknąć potykania się o nie oraz ich uszkodzenia.
- Zawsze nosić okulary i rękawice ochronne.



UWAGA! Ryzyko uszkodzenia

- Urządzenie stanowi szczelny system z zamkniętym obiegiem czynnika chłodniczego. Jego otwierania i manipulacji przy nim dokonywać mogą wyłącznie odpowiednio wykwalifikowani technicy.

- W przypadku konieczności przeprowadzenia przewodów przez ściany o ostrych krawędziach należy użyć pustych rurek lub przepustów izolowanych!
- Nie należy układać luźnych albo mocno zgiętych przewodów przy materiałach przewodzących prąd (metalu).
- Nie wolno ciągnąć za przewody.
- Należy zapewnić, aby okablowanie nie było narażone na przedwczesne zużycie, korozję, nadmierne nacisk, działanie wibracji, kontakt z ostrymi krawędziami ani inne niekorzystne czynniki środowiskowe. Należy przy tym również uwzględnić skutki starzenia się materiału oraz ciągłe wibracje, pochodzące ze źródeł takich jak sprężarki czy wentylatory.
- Należy uwzględnić statykę dachu pojazdu. Dach pojazdu musi być przystosowany do masy klimatyzatora dachowego, która nie może wywoływać w nim wklęśnięć ani odkształceń. W razie wątpliwości należy skontaktować się z producentem pojazdu.



WSKAZÓWKA

- Specyfikację urządzenia można znaleźć w sekcji Dane techniczne oraz na poniższych tabliczkach znamionowych:
- Tabliczka znamionowa jednostki dachowej rys. 3
- Tabliczka znamionowa skrzynki rozdzielczej powietrza rys. 4



Dodatkowe informacje na temat klimatyzatorów dachowych, takie jak opis techniczny i sposób obsługi, można znaleźć pod adresem qr.dometic.com/bdjin0x.



rys. 3 na stronie 4 rys. 4 na stronie 4

- Wybrać sposób montażu klimatyzatora dachowego:
 - Wykonanie nowego otworu. W tym przypadku otwór musi być wzmocniony odpowiednią ramą.
 - Wykorzystanie istniejącego otworu w pojeździe, takiego jak właz dachowy lub wymiana starego klimatyzatora dachowego.
 - Zwrócić uwagę na zachowanie podanych poniżej odstępów:

Model	Wysokość przedmiotu < 60 mm	Wysokość przedmiotu > 60 mm			
	Ze wszystkich 4 stron	Prawa strona	Lewa strona*	Tył*	Przód
FJX4333EEH	50 mm	150 mm	150 mm	150 mm	150 mm
FJX7333IHP	50 mm	150 mm	150 mm	150 mm	150 mm
FJX7337IHP	50 mm	300 mm	150 mm	150 mm	150 mm
FJX7457IHP	50 mm	300 mm	150 mm	150 mm	150 mm

*

Użyte tu określenia „lewa strona” i „prawa strona” odnoszą się do kierunków z perspektywy osoby patrzącej na urządzenie od przodu pojazdu.

- Zwrócić uwagę na zachowanie podanych poniżej odstępów:

*

Użyte tu określenia „lewa strona” i „prawa strona” odnoszą się do kierunków z perspektywy osoby patrzącej na urządzenie od przodu pojazdu.

Wykonanie nowego otworu

- Wybrać powierzchnię pomiędzy dwoma podłużnymi profilami, pośrodku dachu.
- Zaznaczyć położenie i rozmiary otworu (400 × 400 mm).

 **rys. 5 na stronie 4**

- Wywiercić otwory w rogach (A).



UWAGA! Ryzyko uszkodzenia

Uważać, aby nie uszkodzić przewodów elektrycznych. Sprawdzić, któredy przebiegają przewody elektryczne.

 **rys. 6 na stronie 5**

- Starannie wyciąć otwór w dachu za pomocą piły otwornicy lub podobnego narzędzia (B).
- Ustalić, czy wycięcie w dachu wymaga wzmocnienia.
- W razie potrzeby usunąć piankę odpowiednio do szerokości listew wzmacniających (niedostarczanych w zestawie) (A).

 **rys. 7 na stronie 5**

- Wpasować listwy wzmacniające (B).

Montaż w istniejącym otworze

- Wymontować wszystkie śruby i mocowania istniejącego włazu dachowego lub klimatyzatora.

 **rys. 8 na stronie 5**

- Wyjąć właz dachowy lub klimatyzator dachowy.
- Należy usunąć materiał uszczelniający wokół otworu za pomocą skrobaka.

 **rys. 9 na stronie 5**

Ułożenie przewodów przyłączeniowych

- Porównać dane dotyczące napięcia na tabliczce znamionowej klimatyzatora dachowego z dostępnym źródłem zasilania. Klimatyzator dachowy wymaga podłączenia do obwodu elektrycznego, który może dostarczyć odpowiednie zasilanie (Dane techniczne).
- Upewnić się, że instalacja elektryczna jest wyposażona w wyłącznik różnicowoprądowy (< 30 mA). W przypadku braku wyłącznika różnicowoprądowego zainstalować go.
- Po stronie instalacji zamontować wielobiegunowy wyłącznik o szerokości rozwarcia styków co najmniej 3 mm.
- Dobrać przewód o przekroju odpowiednim do jego długości:
 - Długość < 7,5 m: 1,5 mm²
 - Długość > 7,5 m: 2,5 mm²
- Wykonać otwór po jednej stronie w celu przeprowadzenia przewodu zasilającego.

 **rys. 10 na stronie 5**

- Przeprowadzić przewód zasilający przez otwór do wnętrza pojazdu.

Montaż jednostki dachowej

18. Uszczelnić dookoła spodnią stronę ramy dachowej za pomocą elastycznej, nietwardniejącej butylowej masy uszczelniającej (np. uszczelniacza butylowego Sikalastomer-710, Selleys Butyl Mastic, Bostik ezycaulk lub podobnego produktu). Należy uwzględnić uwagi producenta uszczelniacza.

 **rys. 11 na stronie 6**

19. Obrócić ramę dachową odpowiednio do wymiarów otworu.

20. Wpasować ramę dachową w otwór w dachu.

 **rys. 12 na stronie 6**

21. Podnieść jednostkę dachową na dach pojazdu. Należy pamiętać o kierunku jazdy.

22. Umieścić jednostkę dachową na ramie dachowej i ustawić ją równo z rowkiem w ramie dachowej. Podczas wyrównywania względem rowka w ramie dachowej posłużyć się jej przednimi narożnikami.

Podłączenie elektryczne

23. Podłączyć przewód zasilający.

 **rys. 13 na stronie 7**

a) Podłączyć przewody (1) do złączki instalacyjnej (2).

b) Podłączyć klimatyzator dachowy do zasilania.

c) Podłączyć przewód uziemiający do instalacji uziemiającej pojazdu.

24. **Tylko dla modeli mechanicznych:** Przyłączyć kabel łączący jednostkę zewnętrzną ze skrzynką rozdzielczą powietrza.

a) Lekko wyciągnąć filtr, aby utworzyć szczelinę dla kabla komunikacyjnego (3).

b) Przeprowadzić kabel komunikacyjny przez szczelinę i umieścić przewód w otworze.

c) Podłączyć 6-pinowy wtyk komunikacyjny do gniazda z boku wyświetlacza w skrzynce rozdzielczej powietrza. Upewnić się, że kabel umieszczony jest w małym otworze z dala od obszaru filtra.

d) Nadmiar kabla należy zabezpieczyć uchwytach.

25. **Tylko dla modeli o stałej prędkości oraz wyposażonych w przetwornicę:** Podłączyć przewód komunikacyjny.

a) Lekko wyciągnąć filtr, aby utworzyć szczelinę dla kabla komunikacyjnego (4).

b) Przeprowadzić kabel komunikacyjny przez szczelinę i ustawić przewód w otworze.

c) Podłączyć 4-pinowy wtyk komunikacyjny do gniazda z boku wyświetlacza w skrzynce rozdzielczej powietrza. Upewnić się, że kabel umieszczony jest w małym otworze z dala od obszaru filtra.

d) Nadmiar kabla należy zabezpieczyć uchwytach.

Montaż skrzynki rozdzielczej powietrza




26. Złączyć ze sobą odpowiednią liczbę odcinków kanału i przyłożyć je do otworu w dachu w celu porównania z jego grubością: Upewnić się, że wysokość kanału odpowiada grubości dachu lub posłużyć się tabelą.

 **rys. 14 na stronie 8**

Grubość dachu	Liczba odcinków kanału
25 ... 35 mm	1
35 ... 45 mm	2
45 ... 55 mm	3
55 ... 60 mm	4



WSKAZÓWKA W przypadku grubszych dachów można dokupić dodatkowe odcinki kanałów.

27. Dołączyć wymaganą liczbę odcinków kanałów do skrzynki ADB.
 28. Przykręcić dyfuzor powietrza do sufitu przez jednostkę dachową za pomocą 4 dostarczonych w zestawie śrub. Dokręcić śruby za pomocą klucza dynamometrycznego momentem $2.5 \text{ Nm} \pm 0.3 \text{ Nm}$.
 -  **rys. 15 na stronie 9**
 29. Wepchnąć filtr do końca.
 -  **rys. 16 na stronie 9**
 30. Przywiąć pokrywę centralną do skrzynki ADB.
 -  **rys. 17 na stronie 10**
 31. Dowiedzieć się od producenta pojazdu, czy po zamontowaniu klimatyzatora dachowego konieczny będzie odbiór techniczny i zmiana wysokości pojazdu w jego dokumentacji:
 - FreshJet FJX4233, FreshJet FJX4333, FreshJet FJX7333: wysokości zwiększona o 225 mm
 - FreshJet FJX7337: wysokości zwiększona o 242 mm
 - FreshJet FJX7457: wysokości zwiększona o 283 mm
- ✓ Montaż został zakończony.
- Podłączyć zasilanie i sprawdzić, czy klimatyzator dachowy działa.

12 Schematy przyłączenia

FJX4233M

 **rys. 18 na stronie 10**

FJX4233E, FJX4333E(EH), FJX7333IHP

 **rys. 19 na stronie 11**

FJX7333IHP

 **rys. 20 na stronie 11**

FJX7337IHP, FJX7457IHP

 **rys. 21 na stronie 12**

Skrzynka rozdzielcza powietrza

 **rys. 22 na stronie 12**

13 Utylizacja



Opakowanie należy w miarę możliwości wrzucić do odpowiedniego pojemnika na odpady do recyklingu. Szczegółowe informacje na temat utylizacji produktu zgodnie z obowiązującymi przepisami można uzyskać w lokalnym zakładzie recyklingu lub u specjalistycznego dystrybutora.



Chroń środowisko naturalne! Akumulatorów i baterii nie należy wrzucać do pojemników na odpady komunalne. Uszkodzone akumulatory lub zużyte baterie należy przekazać do punktu sprzedaży lub odpowiedniego punktu zbiórki.

14 Dane techniczne


rys. 23 na stronie 13 rys. 24 na stronie 13 rys. 25 na stronie 13 rys. 26 na stronie 14

Zawiera fluorowane gazy cieplarniane Urządzenie zamknięte hermetycznie.

Firma Dometic niniejszym oświadcza, że to urządzenie radiowe jest zgodne z dyrektywą 2014/53/UE. Pełny tekst deklaracji zgodności UE dostępny jest w internecie pod adresem <http://documents.dometic.com>.

	FreshJet FJX4233M
Wydajność chłodnicza zgodnie z ISO 5151:	1500 W
Napięcie wejściowe AC:	220 V ... 240 V / 50 Hz
Prąd znamionowy chłodzenia:	3,1 A
Wymagany bezpiecznik:	Min. 4 A, max. 16 A
Zakres temperatury roboczej:	-2 °C ... 52 °C
Czynnik chłodniczy:	R410a
Ilość czynnika chłodniczego:	380 g
Równoważnik CO ₂ :	0,793 t
Potencjał tworzenia efektu cieplarnianego (GWP):	2088
Stopień ochrony (jednostki dachowej):	IPX4
Poziom hałasu (przy najwyższym ustawieniu wentylatora)	< 70 dB(A)
Częstotliwość	2,4 GHz
Maks. moc częstotliwości radiowej	19,14 dBm
Sugerowana maks. długość pojazdu (z izolowanymi ścianami):	≤ 5 m
Wymiary (dł. x szer. x wys.):	rys. 23
Masa:	< 30 kg
Kontrola/certyfikat:	CE UK

PL Dometic FJX

	FreshJet FJX4233EEH	FreshJet FJX4333EEH	FreshJet FJX4333E
Wydajność chłodnicza zgodnie z ISO 5151:	1700 W	2200 W	2200 W
Wydajność grzewcza zgodnie z ISO 5151:	800 W	1000 W	-
Napięcie wejściowe AC:	220 V ... 240 V / 50 Hz		
Prąd znamionowy dla chłodzenia:	3,4 A	4,6 A	4,6 A
Prąd znamionowy dla ogrzewania:	3,7 A	4,4 A	-
Wymagany bezpiecznik:	Min. 4 A, max. 16 A	Min. 5 A, max. 16 A	Min. 5 A, max. 16 A
Zakres temperatury roboczej:	-2 °C ... 52 °C		
Czynnik chłodniczy:	R32		
Ilość czynnika chłodniczego:	320 g	360 g	360 g
Równoważnik CO ₂ :	0,216 t	0,243 t	0,243 t
Potencjał tworzenia efektu cieplarnianego (GWP):	675		
Stopień ochrony (jednostki dachowej):	IPX4		
Poziom hałasu (przy najwyższym ustawieniu wentylatora)	< 70 dB(A)		
Częstotliwość	2,4 GHz		
Maks. moc częstotliwości radiowej	19,14 dBm		
Sugerowana maks. długość pojazdu (z izolowanymi ścianami):	≤ 6 m	≤ 7 m	≤ 7 m
Wymiary (dł. x szer. x wys.):	rys. 24		
Masa:	< 30 kg	< 30 kg	< 30 kg
Kontrola/certyfikat:	CE 		

	FreshJet FJX7333IHP	FreshJet FJX7337IHP	FreshJet FJX7457IHP
Wydajność chłodnicza zgodnie z ISO 5151:	2200 W	3000 W	3500 W
Wydajność grzewcza zgodnie z ISO 5151:	2000 W	2500 W	3000 W
Napięcie wejściowe AC:	220 V ... 240 V / 50 Hz ... 60 Hz		
Prąd znamionowy chłodzenia:	< 5,9 A	< 7,3 A	< 7,5 A
Prąd znamionowy ogrzewania:	< 3,7 A	< 5,9 A	< 6,5 A
Wymagany bezpiecznik:	Min. 6 A, max. 16 A	Min. 8 A, max. 16 A	Min. 8 A, max. 16 A
Zakres temperatury roboczej:	-2 °C ... 52 °C		
Czynnik chłodniczy:	R32		
Ilość czynnika chłodniczego:	400 g	480 g	650 g

	Freshjet FJX7333IHP	Freshjet FJX7337IHP	Freshjet FJX7457IHP
Równoważnik CO ₂ :	0,270 t	0,324 t	0,439 t
Potencjał tworzenia efektu cieplarnianego (GWP):	675		
Stopień ochrony (jednostki dachowej):	IPX4		
Poziom hałasu (przy najwyższym ustawieniu wentylatora)	< 70 dB(A)		
Częstotliwość	2,4 GHz		
Maks. moc częstotliwości radiowej	19,14 dBm		
Sugerowana maks. długość pojazdu (z izolowanymi ścianami):	≤ 7 m	≤ 7 m	> 8 m
Wymiary (dł. x szer. x wys.):	rys. 24	rys. 25	rys. 26
Masa:	< 30 kg	< 35 kg	< 40 kg
Kontrola/certyfikat:	CE UK		

Slovensky

1	Dôležité oznámenia.....	166
2	Vysvetlenie symbolov.....	166
3	Cieľové skupiny.....	167
4	Bezpečnostné pokyny.....	167
5	Rozsah dodávky.....	168
6	Príslušenstvo.....	168
7	Používanie v súlade s určením.....	169
8	Zoznam modelov.....	169
9	Vysvetlenie symbolov na spotrebiči.....	170
10	Technické limity a podmienky.....	170
11	Montáž.....	170
12	Schémy zapojenia.....	175
13	Likvidácia.....	175
14	Technické údaje.....	175

1 Dôležité oznámenia

Dôkladne si prečítajte tento návod a dodržiavajte všetky pokyny, usmernenia a varovania uvedené v tomto návode k výrobku, aby bolo zaručené, že výrobok bude vždy správne nainštalovaný, používaný a udržiavaný. Tento návod MUSÍ zostať priložený k výrobku.

Používaním tohto výrobku týmto potvrdzujete, že ste si dôkladne prečítali všetky pokyny, usmernenia a varovania a že rozumiete a súhlasíte s dodržiavaním všetkých uvedených podmienok. Súhlasíte, že tento výrobok budete používať iba v súlade so zamýšľaným použitím a v súlade s pokynmi, usmerneniami a varovaniami uvedenými v tomto návode k výrobku, ako aj v súlade so všetkými platnými zákonmi a nariadeniami. V prípade, že si neprečítate a nebudete sa riadiť pokynmi a varovaniami uvedenými v tomto návode, môže mať za následok vaše poranenie alebo poranenie iných osôb, poškodenie vášho výrobku alebo poškodenie majetku v jeho blízkosti. Tento návod na obsluhu výrobku vrátane pokynov, usmernení a varovaní, a súvisiaca dokumentácia môže podliehať zmenám a aktualizáciám. Najaktuálnejšie informácie o výrobku nájdete na adrese document.s.dometic.com.

2 Vysvetlenie symbolov



NEBZPEČENSTVO!

Označuje nebezpečnú situáciu, ktorej následkom je smrť alebo vážne zranenie, ak sa jej nezabráni.



VÝSTRAHA!

Označuje nebezpečnú situáciu, ktorej následkom môže byť smrť alebo vážne zranenie, ak sa jej nezabráni.



UPOZORNENIE!

Označuje nebezpečnú situáciu, ktorej následkom môže byť malé alebo stredne ťažké zranenie, ak sa jej nezabráni.



POZOR!

Označuje situáciu, ktorej následkom môže byť poškodenie majetku, ak sa jej nezabráni.



POZNÁMKA Doplňujúce informácie týkajúce sa obsluhy produktu.

3 Ciel'ové skupiny



Elektrické napájanie musí byť pripojené kvalifikovaným elektrikárom, ktorý preukázal zručnosti a znalosti týkajúce sa konštrukcie a prevádzky elektrických zariadení a inštalácií a absolvoval bezpečnostné školenie na identifikáciu a predchádzanie príslušným nebezpečenstvám.



Mechanickú montáž musí vykonať kvalifikovaný personál, ktorý je oboznámený s konštrukciou a prevádzkou zariadenia a rizikami, ktoré sú s tým spojené.

4 Bezpečnostné pokyny



VÝSTRAHA! Nedodržanie týchto varovaní môže mať za následok smrť alebo vážne poranenie.

- Opravy spotrebiča smie vykonáva iba kvalifikovaný personál, ktorý je oboznámený s rizikami, ktoré sú s tým spojené, a s príslušnými predpismi. Neodborné opravy môžu zapríčiniť vážne ohrozenia. V prípade potreby opravy sa obráťte na servisné stredisko vo vašej krajine (pozri dometic.com/dealer).
- Spotrebič sa musí inštalovať v súlade s vnútroštátnymi predpismi pre elektrickú a mechanickú inštaláciu.
- **Elektrické spotrebiče nie sú detské hračky.** Deti nedokážu správne posúdiť riziká, ktoré predstavujú elektrické prístroje. Nenechávajte deti, aby používali elektrické prístroje bez dozoru.
- Osoby, ktoré z dôvodu ich fyzických, zmyslových či duševných schopností alebo nedostatku neskúsenosti či neznalosti nie sú schopné spotrebič bezpečne používať, ho nesmú používať bez dozoru alebo poučenia od zodpovednej osoby.
- V prípade požiaru **neskladajte** horný kryt spotrebiča. Použite povolené hasiace prostriedky. Na hasenie nepoužívajte vodu.
- Spotrebič musí byť uskladnený v miestnosti bez prítomnosti zdrojov s nepretržitou prevádzkou otvoreného plameňa (napríklad plynový spotrebič v prevádzke) alebo zdrojov zapalovania (napríklad elektrický ohrievač v prevádzke).
- Spotrebič musí byť uskladnený v horizontálnej polohe na suchom, vetranom a prekrytom mieste.
- Spotrebič neprepichujte alebo nehádzte do ohňa.
- Pamätajte si, že chladivá nemusia vydávať žiadny zápach.
- Strešná klimatizácia sa musí inštalovať do vozidla s podlahovou plochou väčšou ako 4 m².



UPOZORNENIE! Nedodržanie týchto upozornení môže mať za následok drobné alebo stredne ťažké poranenie.

- Spotrebič používajte len vtedy, ak ste si istí, že kryt a káble nie sú poškodené.
- Nepoužívajte spotrebič v blízkosti horľavých kvapalín alebo v uzavretých priestoroch.
- Postarajte sa, aby horľavé predmety neboli skladované alebo namontované v blízkosti výstupu vzduchu. Musí byť dodržaná minimálna vzdialenosť 50 cm.
- Nesiahajte do výstupov vzduchu a do spotrebiča nekladajte žiadne cudzie predmety.
- Vždy noste ochranné okuliare a rukavice.



POZOR! Nebezpečenstvo poškodenia

- Spotrebič funguje optimálne pri 1020 mbar.
- Spotrebič sa musí skladovať tak, aby sa predišlo vzniku mechanického poškodenia.
- Pred montážou skontrolujte, či by sa pri montáži spotrebiča nepoškodili jednotlivé komponenty vozidla (napríklad svetlá, skrinky, dvere). Výrobca vozidla už mohol vyznačiť body, kde je možné urobiť otvor pre montáž spotrebiča bez rizika, že dôjde k oslabeniu konštrukcie alebo preseknutiu elektrických káblov.
- Pred montážou sa poraďte s výrobcom vozidla, či je nadstavba dimenzovaná na statickú hmotnosť a zaťaženie strešnou klimatizáciou, ak je vozidlo v pohybe.
- Ubezpečte sa, že strešný rám je vhodne utesnený k streche.
- Ako miesto montáže vyberte plochú a dostatočne rovnú zónu v strede dvoch pozdĺžnych profilov strechy vozidla.
- Sklon strechy na montážnej ploche nesmie byť väčší ako 10 °.
- Zabezpečte, aby v interiéri vozidla nebola žiadna prekážka, ktorá by bránila upevneniu skrinky rozvádzania vzduchu a prúdeniu studeného vzduchu cez otočné dýzy rozvádzania vzduchu.
- Na prístroji neuskutočňujte žiadne zmeny alebo prestavby!
- S namontovaným spotrebičom nesmiete vojsť s obvytým automobilom do automatickej automyvárne.
- Ak sa v chladiacom okruhu zariadenia vyskytnú poruchy, dajte zariadenie preskúšať a riadne opraviť v špecializovanom servise.
- Chladiaci prostriedok nesmie voľne vypúšťať do atmosféry.
- Informujte sa u vášho výrobcu vozidla, či je kvôli montáži strešnej klimatizácie potrebná zmena záznamu o výške vozidla v technických dokladoch vozidla.

5 Rozsah dodávky

obr. 1 na strane 3 obr. 2 na strane 3

Č. na obr. 1, obr. 2	Počet	Opis
1	1	Strešná jednotka
2	1	Strešný rám
3	1	Skrinka rozvádzania vzduchu (ADB)
4	1	Stredový kryt skrinky ADB
5	4	Potrubné úseky
6	3	Káblové konektory
7	4	Upevňovacie skrutky
8	1	Kryt skrine
9	1	Iba niektoré modely: Diaľkové ovládanie

6 Príslušenstvo

Dostupné ako príslušenstvo (nie je súčasťou dodávky):

Opis	Č. výr.
Nadstavbové potrubné úseky (každý úsek pokryje ďalších 10 mm)	4450017931
Dlhšie upevňovacie skrutky M6 × 160 mm (pre hrúbku strechy 60 ... 120 mm)	4450012023
Čistič vzduchu	4450029486
Elektrický ohrievač	4450029487
Ambientné osvetlenie ADB	4450029488
Filtre pre FreshJet FJX4233M	4450024007 4450024008
Filtre pre FreshJet FJX4233EEH/FJX4333E(EH)/FJX7333IHP/FJX7337IHP/FJX7457IHP	4450025683

7 Používanie v súlade s určením

Strešná klimatizácia je určená iba pre montáž na strechy karavanov alebo rekreačných vozidiel za účelom chladenia a ohrievania.

Strešná klimatizácia **nie je** vhodná pre vlaky, rodinné domy a byty. Strešná klimatizácia **nie je** vhodná pre montáž do-stavebných, poľnohospodárskych alebo podobných pracovných strojov.

Tento výrobok je vhodný iba na zamýšľané použitie a použitie v súlade s týmto návodom.

Tento návod obsahuje informácie, ktoré sú nevyhnutné pre správnu inštaláciu a/alebo obsluhu výrobku. Chybná inštalácia a/alebo nesprávna obsluha či údržba bude mať za následok neuspokojivý výkon a možnú poruchu.

Výrobca nenesie žiadnu zodpovednosť za akékoľvek poranenia či škody na výrobku spôsobené:

- nesprávnou inštaláciou alebo pripojením vrátane nadmerného napätia
- nesprávnou údržbou alebo použitím iných ako originálnych náhradných dielov poskytnutých výrobcom
- Zmeny produktu bez výslovného povolenia výrobcu
- Použitie na iné účely než na účely opísané v návode

Firma Dometic si vyhradzuje právo na zmenu vzhľadu a technických parametrov výrobku.

8 Zoznam modelov

Modely sa rozlišujú podľa toho, či ide o mechanické modely, modely s pevnými otáčkami a modely s meničom.

Následujúca tabuľka uvádza, ktorá funkcia sa vzťahuje na špecifický model:

- Funkcia je k dispozícii
- Funkciu je možné pridať

	FJX4233M	FJX4233E-EH	FJX4333E-EH	FJX4333E	FJX7333IHP	FJX7337IHP	FJX7457IHP
	Mechanické	Pevné otáčky			Striedač		
Automaticky		●	●	●	●	●	●
Chladienie	●	●	●	●	●	●	●
Ohrievanie		●	●	○	●	●	●
Vetranie	●	●	●	●	●	●	●
Odvlhčovanie		●	●	●	●	●	●
Čistič vzduchu	○	●	●	○	●	●	●
ADB svetlo		●	●	○	●	●	●
Vonkajšie osvetlenie					●	●	●
Časovač		●	●	●	●	●	●
Sleep (Spánok)		●	●	●	●	●	●
Soft Start			●	○	●	●	●

9 Vysvetlenie symbolov na spotrebiči



Pozor! Materiál s nízkou rýchlosťou horenia.



Prečítajte si návod na obsluhu.



Prečítajte si servisnú príručku.

10 Technické limity a podmienky

Strešná klimatizácia je určená pre vozidlá s hrúbkou strechy 25 mm ... 60 mm. Strešná klimatizácia bude pracovať pri teplote okolia -2 °C ... 52 °C. Strešná klimatizácia je navrhnutá pre montáž v rozsahu ± 10 ° od horizontálnej roviny.

11 Montáž



NEBZPEČENSTVO! Nebezpečenstvo úrazu elektrickým prúdom

- Elektrické napájanie v rekreačnom vozidle musí byť pripojené kvalifikovaným elektrikárom, ktorý preukázal zručnosti a znalosti týkajúce sa konštrukcie a prevádzky elektrických zariadení a inštalácií a absolvoval bezpečnostné školenie na identifikáciu a predchádzanie príslušným nebezpečenstvám.
- Pri prácach na strešnej klimatizácii odpojte všetky zdroje napájania vrátane meničov.
- Ubezpečte sa, že počas montáže alebo údržby sa napájanie spotrebiča nemôže opätovne zapnúť.



VÝSTRAHA! Nebezpečenstvo úrazu elektrickým prúdom

- Zariadenie sa musí inštalovať v súlade s vnútroštátnymi predpismi pre elektroinštaláciu.
- V súlade s pravidlami zapojenia sa do pevného zapojenia musia zabudovať nasledujúce zariadenia: Celopólové odpojovacie zariadenie, ktoré má na všetkých póloch vzdialenosť minimálne 3 mm v prípade priesakového prúdu, ktorý môže prekročiť 10 mA; prúdový chránič (RCD) v prípade menovitého zvyškového prúdu, ktorý nepresahuje 30 mA; odpojenie.
- Ak zariadenie nahradí okno alebo svetlík s funkciou núteného vetrania dôležitým pre bezpečnosť, je potrebné pridať prídavné bezpečnostné vetracie zariadenia (napr. hubový ventilátor alebo podobne). Ak máte pochybnosti, obráťte sa na výrobcu vozidla.
- Po montáži strešnej klimatizácie je výfukový komín v blízkosti strešnej klimatizácie potrebné zdvihnúť najmenej o 10 cm nad strešnú klimatizáciu. Ak je to nutné, predĺžte výfukový komín. Postupujte podľa pokynov a návodu výrobcu kúrenia.



UPOZORNENIE! Nebezpečenstvo poranenia

- Nesprávna montáž strešnej klimatizácie môže viesť k neopraviteľným škodám zariadenia a ohroziť bezpečnosť používateľa.
- Strešnú klimatizáciu prenášajte alebo zdvíhajte vždy vo dvojici.
- Pred montážou skontrolujte umiestnenie existujúcich káblových zväzkov, káblov a iných komponentov v oblasti montáže, najmä takých, ktoré nie je vidieť pri montáži zariadenia (pri vŕtaní alebo skrútkovaní a pod.).
- Káble upevnite a uložte tak, aby nehrozilo nebezpečenstvo zakopnutia a aby bolo vylúčené poškodenie káblov.
- Vždy používajte ochranné okuliare a rukavice.



POZOR! Nebezpečenstvo poškodenia

- Zariadenie je utesnený systém s uzavretým chladiacim okruhom. Zariadenie neotvárajte ani s ním nemanipulujte, ak nie ste technik s príslušnou kvalifikáciou.
- Ak sa musia vedenia viesť cez steny s ostrými hranami, použite duté potrubia príp. priechodky určene pre vedenia.
- Na elektricky vodivé materiály (kovy) neumiestňujte voľné alebo ostro lomené vedenia.
- Neťahajte za káble.
- Skontrolujte, či kabeláž nebude vystavená odieraniu, korózii, nadmernému tlaku, vibráciám, ostrým hranám alebo iným nežiaducim vplyvom prostredia. Pri kontrole je tiež potrebné brať do úvahy aj vplyvy starnutia alebo nepretržitých vibrácií zo zdrojov, ako napríklad kompresorov alebo ventilátorov.
- Rešpektujte statiku strechy vozidla. Strecha vozidla musí byť schopná uniesť hmotnosť strešnej klimatizácie bez toho, aby došlo k jej preliačeniu alebo zdeformovaniu. Ak máte pochybnosti, obráťte sa na výrobcu vozidla.

**POZNÁMKA**

- Špecifikácie zariadenia nájdete na Technické údaje a na nasledujúcich typových štítkoch:
- Typový štítok strešnej jednotky obr. 3
- Typový štítok skrinky rozvádzania vzduchu obr. 4



Ďalšie informácie o strešných klimatizáciách, ako technický opis alebo ovládacie prvky, nájdete v návode na obsluhu, pozrite si qr.dometic.com/bdJN0x.



obr. 3 na strane 4 obr. 4 na strane 4

- Zvoľte si vlastný spôsob montáže strešnej klimatizácie:
 - Vytvorte nový otvor. V tomto prípade musí byť otvor spevnený vhodným rámom.
 - Použite existujúci otvor vo vozidle, ako napríklad strešný svetlík alebo výmena starej klimatizácie.
 - Postarajte sa, aby ste dodržali nasledujúce vzdialenosti:

Model	Výška objektu < 60 mm	Výška objektu > 60 mm			
	Všetky 4 strany	Pravá strana	Ľavá strana *	Zadná strana *	Predná strana
FJX4333EEH	50 mm	150 mm	150 mm	150 mm	150 mm
FJX7333IHP	50 mm	150 mm	150 mm	150 mm	150 mm
FJX7337IHP	50 mm	300 mm	150 mm	150 mm	150 mm
FJX7457IHP	50 mm	300 mm	150 mm	150 mm	150 mm

* V tomto kontexte „ľavá strana“ a „pravá strana“ znamená, keď sa pozeráte na zariadenie z prednej strany vozidla.

- Postarajte sa, aby ste dodržali nasledujúce vzdialenosti:

* V tomto kontexte „ľavá strana“ a „pravá strana“ znamená, keď sa pozeráte na zariadenie z prednej strany vozidla.

Vytvorenie nového otvoru

2. Vyberte na streche zónu v strede medzi dvomi pozdĺžnymi profilmi.
3. Označte umiestnenie a rozmery otvoru (400 × 400 mm).

obr. 5 na strane 4

4. Vyrvajte otvory v rohoch (A).

**POZOR! Nebezpečenstvo poškodenia**

Dávajte pozor, aby ste nepoškodili žiadne elektrické káble. Skontrolujte umiestnenie elektrických káblov.

obr. 6 na strane 5

5. Otvor na streche starostlivo a opatrne vyrežte s priamočiarou pílou alebo podobným nástrojom (B).

6. Skontrolujte, či strešný otvor potrebuje spevnenie.
7. Ak je to potrebné, odstráňte vypnenie podľa šírky vašich spevňovacích/vystužovacích líšt (nie sú súčasťou dodávky) (**A**).

 **obr. 7** na strane 5

8. Vsad'te spevňovacie/vystužovacie lišty (**B**).

Montáž do existujúceho otvoru

9. Demontujte všetky skrutky a upevňovacie prípravky existujúceho strešného svetlíka alebo klimatizácie.

 **obr. 8** na strane 5

10. Vyberte strešný svetlík alebo strešnú klimatizáciu.
11. Odstráňte tesniacu hmotu okolo otvoru škrabkou alebo pod.

 **obr. 9** na strane 5

Uloženie pripojovacích vedení

12. Skontrolujte, či sa údaj o napätí na typovom štítku strešnej klimatizácie zhoduje s údajom na zdroji napájania. Strešná klimatizácia musí byť pripojená do elektrického obvodu, ktorý je schopný poskytovať potrebný prúd (Technické údaje).
13. Zabezpečte, aby zdroj napájania disponoval prúdovým chráničom (< 30 mA). Ak chýba, namontujte prúdový chránič.
14. Namontujte celopólový spínač so šírkou rozpojenia kontaktu minimálne 3 mm na strane montáže.
15. Zvoľte prierez vodiča podľa dĺžky napájacieho kábla:
 - Dĺžka < 7.5 m: 1,5 mm²
 - Dĺžka > 7.5 m: 2,5 mm²
16. Vytvorte otvor na jednej strane, aby ste cez tento mohli viesť napájací kábel.

 **obr. 10** na strane 5

17. Ved'te napájací kábel cez otvor do interiéru vozidla.

Montáž strešnej jednotky

18. Utesnite spodnú stranu okolo strešného rámu s pružnou, netvrdnúcou butylovou tesniacou hmotou (napr. Sikalastomer-710, Selleys Butyl Mastic, tesniaca hmota Bostik ezycaulk butyl alebo podobné výrobky). Rešpektujte upozornenia výrobcu tesniacej hmoty.

 **obr. 11** na strane 6

19. Umiestnite strešný rám podľa rozmerov otvoru.
20. Osad'te strešný rám do strešného otvoru.

 **obr. 12** na strane 6

21. Zdvihnite strešnú jednotku na strechu vozidla. Riad'te sa smerom jazdy.
22. Umiestnite strešnú jednotku do strešného rámu a zarovnajte ju do drážky strešného rámu. Pre zarovnanie do drážky strešného rámu použite predného rohu strešného rámu.

Elektrické pripojenie

23. Pripojte napájací kábel.

 **obr. 13** na strane 7

- a) Pripojte káble (**1**) ku káblovému konektoru (**2**).
- b) Strešnú klimatizáciu pripojte k zdroju napájania.
- c) Pripojte uzemňovací kábel k uzemňovacej sústave vozidla.

24. **Iba mechanické modely:** S káblom prepojte externú jednotku a skrinku rozvádzania vzduchu.
- Jemne povytiahnite filter, aby ste vytvorili medzeru pre komunikačný kábel (3).
 - Veďte kábel cez medzeru a umiestnite kábel do otvoru.
 - Pripojte 6-koľíkovú komunikačnú zástrčku do zásuvky na strane displeja v skrinke ADB. Ubezpečte sa, že kábel je uložený v malom otvore mimo oblasti filtra.
 - Zaistite kábel vo výreze v držiakoch.
25. **Iba modely s pevnými otáčkami a modely meničov:** Pripojte komunikačný kábel.
- Jemne povytiahnite filter, aby ste vytvorili medzeru pre komunikačný kábel (4).
 - Veďte komunikačný kábel cez medzeru a umiestnite kábel do otvoru.
 - Pripojte 4-koľíkovú komunikačnú zástrčku do zásuvky na strane displeja v skrinke ADB. Ubezpečte sa, že kábel je uložený v malom otvore mimo oblasti filtra.
 - Zaistite kábel vo výreze v držiakoch.

Montáž skrinky rozvádzania vzduchu




26. Naskladajte potrubné úseky na seba a porovnajzte ich s hrúbkou strechy: Ubezpečte sa, že výška potrubia sa zhoduje s hrúbkou strechy alebo použite tabuľku ako pomôcku.

 obr. 14 na strane 8

Hrúbka strechy	Počet potrubných úsekov
25 ... 35 mm	1
35 ... 45 mm	2
45 ... 55 mm	3
55 ... 60 mm	4



POZNÁMKA Pre hrubšie strechy je možné zakúpiť prídavné potrubné úseky.

27. Upevnite potrebný počet potrubných úsekov na skrinku ADB.
28. Cez strop upevnite skrinku rozvádzania vzduchu k strešnej jednotke pomocou 4 dodaných skrutiek. Utiahnite skrutky momentovým kľúčom s uťahovacím momentom $2.5 \text{ Nm} \pm 0.3 \text{ Nm}$.
-  obr. 15 na strane 9
29. Filter úplne zatlačte naspäť.
-  obr. 16 na strane 9
30. Stredový kryt upevnite svorkami k skrinke ADB.
-  obr. 17 na strane 10
31. Informujte sa u výrobcu vozidla, či je po montáži strešnej klimatizácie potrebná technická prehliadka a či je potrebné zmeniť výšku uvedenú v dokumentoch k vozidlu:
- FreshJet FJX4233, FreshJet FJX4333, FreshJet FJX7333: Zväčšená výška 225 mm
 - FreshJet FJX7337: Zväčšená výška 242 mm
 - FreshJet FJX7457: Zväčšená výška 283 mm

✓ Montáž je teraz dokončená.

Strešnú klimatizáciu pripojte k zdroju napájania a vyskúšajte, či strešná klimatizácia funguje.

12 Schémy zapojenia

FJX4233M

 obr. 18 na strane 10

FJX4233E, FJX4333E(EH), FJX7333IHP

 obr. 19 na strane 11

FJX7333IHP

 obr. 20 na strane 11

FJX7337IHP, FJX7457IHP

 obr. 21 na strane 12

ADB

 obr. 22 na strane 12

13 Likvidácia



Obalový materiál dávajte podľa možnosti do príslušného recyklovateľného odpadu. Informujte sa v najbližšom recyklačnom stredisku alebo u vášho špecializovaného predajcu o likvidácii výrobku v súlade s príslušnými predpismi týkajúcimi sa likvidácie.



Chráňte životné prostredie! Akumulátory a batérie nepatria do domového odpadu. Vaše poškodené akumulátory alebo prázdne batérie odovzdajte u predajcu alebo v zbernom mieste.

14 Technické údaje

 obr. 23 na strane 13  obr. 24 na strane 13  obr. 25 na strane 13  obr. 26 na strane 14

Obsahuje fluórované skleníkové plyny. Hermeticky uzatvorené zariadenie.

Firma Dometic týmto vyhlasuje, že toto rádiové zariadenie vyhovuje smernici 2014/53/EÚ. Úplné znenie vyhlásenia EÚ o zhode je k dispozícii na tejto internetovej adrese <http://documents.dometic.com>.

	FreshJet FJX4233M
Chladiaci výkon v nadväznosti na ISO 5151:	1500 W
Vstupné striedavé napätie:	220 V ... 240 V / 50 Hz
Menovitý prúd chladenia:	3,1 A
Potrebné poistka:	Min. 4 A, max. 16 A
Rozsah prevádzkovej teploty:	-2 °C ... 52 °C
Chladiaci prostriedok:	R410a

	FreshJet FJX4233M
Množstvo chladiaceho prostriedku:	380 g
Ekvivalent CO ₂ :	0,793 t
Potenciál globálneho otepľovania (GWP):	2088
Trieda ochrany (strešná jednotka):	IPX4
Hladina hluku (maximálne otáčky ventilátora)	< 70 dB(A)
Frekvencia	2,4 GHz
Maximálny výkon rádiovkej frekvencie	19,14 dBm
Odporúčaná max. dĺžka vozidla (s izolovanými stenami):	≤ 5 m
Rozmery DxŠxV:	obr. 23
Hmotnosť:	< 30 kg
Skúška/certifikát:	CE UK

	FreshJet FJX4233EEH	FreshJet FJX4333EEH	FreshJet FJX4333E
Chladiaci výkon v nadväznosti na ISO 5151:	1700 W	2200 W	2200 W
Vyhrievací výkon v nadväznosti na ISO 5151:	800 W	1000 W	-
Vstupné striedavé napätie:	220 V ... 240 V / 50 Hz		
Menovitý chladiaci prúd:	3,4 A	4,6 A	4,6 A
Menovitý ohrievací prúd:	3,7 A	4,4 A	-
Potrebné poistka:	Min. 4 A, max. 16 A	Min. 5 A, max. 16 A	Min. 5 A, max. 16 A
Rozsah prevádzkovej teploty:	-2 °C ... 52 °C		
Chladiaci prostriedok:	R32		
Množstvo chladiaceho prostriedku:	320 g	360 g	360 g
Ekvivalent CO ₂ :	0,216 t	0,243 t	0,243 t
Potenciál globálneho otepľovania (GWP):	675		
Trieda ochrany (strešná jednotka):	IPX4		
Hladina hluku (maximálne otáčky ventilátora)	< 70 dB(A)		
Frekvencia	2,4 GHz		
Maximálny výkon rádiovkej frekvencie	19,14 dBm		

	FreshJet FJX4233EEH	FreshJet FJX4333EEH	FreshJet FJX4333E
Odporúčaná max. dĺžka vozidla (s izolovanými stenami):	≤ 6 m	≤ 7 m	≤ 7 m
Rozmery DxŠxV:	obr. 24		
Hmotnosť:	< 30 kg	< 30 kg	< 30 kg
Skúška/certifikát:	CE EAC		
	FreshJet FJX7333IHP	FreshJet FJX7337IHP	FreshJet FJX7457IHP
Chladiaci výkon v nadväznosti na ISO 5151:	2200 W	3000 W	3500 W
Vyhrievací výkon v nadväznosti na ISO 5151:	2000 W	2500 W	3000 W
Vstupné striedavé napätie:	220 V ... 240 V / 50 Hz ... 60 Hz		
Menovitý prúd chladenia:	< 5,9 A	< 7,3 A	< 7,5 A
Menovitý prúd vyhrievania:	< 3,7 A	< 5,9 A	< 6,5 A
Potrebné poistka:	Min. 6 A, max. 16 A	Min. 8 A, max. 16 A	Min. 8 A, max. 16 A
Rozsah prevádzkovej teploty:	-2 °C ... 52 °C		
Chladiaci prostriedok:	R32		
Množstvo chladiaceho prostriedku:	400 g	480 g	650 g
Ekvivalent CO ₂ :	0,270 t	0,324 t	0,439 t
Potenciál globálneho otepľovania (GWP):	675		
Trieda ochrany (strešná jednotka):	IPX4		
Hladina hluku (maximálne otáčky ventilátora)	< 70 dB(A)		
Frekvencia	2,4 GHz		
Maximálny výkon rádiovkej frekvencie	19,14 dBm		
Odporúčaná max. dĺžka vozidla (s izolovanými stenami):	≤ 7 m	≤ 7 m	> 8 m
Rozmery DxŠxV:	obr. 24	obr. 25	obr. 26
Hmotnosť:	< 30 kg	< 35 kg	< 40 kg
Skúška/certifikát:	CE EAC		

Čeština

1	Důležité poznámky.....	178
2	Vysvětlení symbolů.....	178
3	Cílové skupiny.....	179
4	Bezpečnostní pokyny.....	179
5	Obsah dodávky.....	180
6	Příslušenství.....	180
7	Použití v souladu s účelem.....	181
8	Seznam modelů.....	181
9	Vysvětlení symbolů na spotřebiči.....	182
10	Technická omezení a podmínky.....	182
11	Montáž.....	182
12	Schémata zapojení.....	186
13	Likvidace.....	187
14	Technické údaje.....	187

1 Důležité poznámky

Pečlivě si prosím přečtěte a dodržujte všechny pokyny, směrnice a varování obsažené v tomto návodu k výrobku, abyste měli jistotu, že výrobek budete vždy správně instalovat, používat a udržovat. Tyto pokyny MUSÍ být uschovány v blízkosti výrobku.

Používáním výrobku tímto potvrzujete, že jste si pečlivě přečetli všechny pokyny, směrnice a varování a že rozumíte podmínkám uvedeným v tomto dokumentu a souhlasíte s nimi. Souhlasíte s používáním tohoto výrobku pouze k určenému účelu a použití a v souladu s pokyny, směrnicemi a varováními uvedenými v tomto návodu k výrobku a v souladu se všemi příslušnými zákony a předpisy. Pokud si nepřečtete a nebudete dodržovat zde uvedené pokyny a varování, může to vést ke zranění vás i ostatních, poškození vašeho výrobku nebo poškození jiného majetku v okolí. Tento návod k výrobku, včetně pokynů, směrnic a varování a související dokumentace může být předmětem změn a aktualizací. Aktuální informace o výrobku naleznete na adrese documents.dometic.com.

2 Vysvětlení symbolů



NEBEZPEČÍ!

Označuje nebezpečnou situaci, která, pokud se jí nezabrání, bude mít za následek smrt nebo vážné zranění.



VÝSTRAHA!

Označuje nebezpečnou situaci, která, pokud se jí nezabrání, může mít za následek smrt nebo vážné zranění.



UPOZORNĚNÍ!

Označuje nebezpečnou situaci, která, pokud se jí nezabrání, může mít za následek lehké nebo středně těžké zranění.



POZOR!

Označuje nebezpečnou situaci, která, pokud se jí nezabrání, může mít za následek majetkové škody.



POZNÁMKA Doplňující informace týkající se obsluhy výrobku.

3 Cílové skupiny



Elektrické napájení musí být připojeno kvalifikovaným elektrikářem, který prokázal dovednosti a znalosti týkající se konstrukce a provozu elektrických zařízení a elektroinstalací a absolvoval bezpečnostní školení, aby byl schopen určit související nebezpečí a zamezit jim.



Mechanickou montáž musí provádět kvalifikovaná osoba, která je obeznámena s konstrukcí a provozem zařízení a souvisejícími riziky.

4 Bezpečnostní pokyny



VÝSTRAHA! Nedodržení těchto varování by mohlo mít za následek smrt nebo vážné zranění.

- Opravy přístroje směřují provádět pouze odborníci, kteří jsou seznámeni s hrozícími nebezpečími a s příslušnými předpisy. Nesprávně provedené opravy mohou být zdrojem značných rizik. Za účelem opravy se obraťte na servisní středisko ve vaší zemi (viz dometic.com/dealer).
- Přístroj je třeba instalovat v souladu s vnitrostátními předpisy týkajícími se elektrické a mechanické instalace.
- **Elektrické přístroje nejsou hračky pro děti!** Děti nedokáží správně posoudit nebezpečí, která jsou spojena s elektrickými přístroji. Děti nenechávejte bez dozoru používat elektrické přístroje.
- Osoby, které z důvodu svých fyzických, sensorických nebo duševních schopností nebo nedostatků zkušeností nebo znalostí nejsou schopny přístroj bezpečně používat, jej nesmějí používat bez dohledu odpovědné osoby nebo bez jejího poučení.
- V případě požáru **neotevírejte** horní kryt přístroje. Použijte schválené hasicí prostředky. Oheň nehasťte vodou.
- Přístroj je třeba skladovat v místnosti, kde trvale nepůsobí otevřené plameny (např. zapnutý plynový spotřebič) a zdroje vznícení (například zapnutý elektrický ohřívač).
- Přístroj je třeba skladovat ve vodorovné poloze na suchém, větraném a krytém místě.
- Přístroj se nesmí propichovat ani spalovat.
- Dbejte na to, že chladiva mohou být bez zápachu.
- Střešní klimatizace se musí instalovat ve vozidle s podlahovou plochou větší než 4 m².



UPOZORNĚNÍ! Nedodržení těchto upozornění by mohlo mít za následek lehké nebo střední zranění.

- Přístroj používejte za předpokladu, že jsou kryt přístroje a kabely nepoškozené.
- Přístroj nepoužívejte v blízkosti hořlavých kapalin nebo v uzavřených prostorách.
- Dbejte na to, že v oblasti výstupu vzduchu nesmějí být uloženy ani namontovány žádné hořlavé předměty. Je nutné dodržet vzdálenost minimálně 50 cm.
- Nesahejte do otvorů pro výstup vzduchu a nezavádějte do přístroje cizí předměty.
- Vždy používejte ochranné brýle a rukavice.



POZOR! Nebezpečí poškození

- Příklad funguje optimálně při teplotě 1020 mbar.
- Příklad musí být skladován tak, aby nedošlo k jeho mechanickému poškození.
- Před montáží přístroje zkontrolujte, zda tím nemůže dojít k případnému poškození součástí vozidla (např. reflektory, skříňe, dveře). Výrobce vozidla již možná poskytl místa, kde lze zhotovit otvor pro montáž přístroje bez jakéhokoli rizika oslabení konstrukce nebo přetížení silových kabelů.
- Před montáží se poraďte s výrobcem vozidla, zda je nástavba vozidla konstruována tak, aby zachytí la statickou hmotnost a zatížení způsobené střešní klimatizací na jedoucím vozidle.
- Zkontrolujte, zda je střešní rám u střechy vhodně utěsněn.
- K montáži vyberte ploché a dostatečně rovné místo uprostřed mezi dvěma podélnými profily střechy vozidla.
- Sklon střechy v místě montáže nesmí být větší než 10 °.
- Zkontrolujte, zda nejsou uvnitř vozidla žádné překážky k upevnění rozvaděče vzduchu a zda ochlazený vzduch může proudit nastavitelnými výdechy.
- Neprovádějte žádné úpravy nebo změny přístroje!
- Při instalovaném přístroji nesmíte v žádném případě mýt vozidlo v myčce.
- Pokud dojde k závadě v okruhu chladicího média, musí systém zkontrolovat specializovaná firma a řádně jej opravit.
- Chladicí médium nesmí být vypuštěno do volné atmosféry.
- Položte dotaz výrobcem automobilu, zda nebude z důvodu montáže střešní klimatizace nutná změna zápisu v dokumentaci vozidla týkající se výšky vozidla.

5 Obsah dodávky

obr. 1 na stránce 3 obr. 2 na stránce 3

Č. na obr. 1, obr. 2	Množství	Popis
1	1	Střešní jednotka
2	1	Střešní rám
3	1	Rozvaděč vzduchu (ADB)
4	1	Střední kryt ADB
5	4	Sekce potrubí
6	3	Kabelové konektory
7	4	Upevňovací šrouby
8	1	Kryt skříňe
9	1	Pouze některé modely: Dálkový ovladač

6 Příslušenství

Dostupné jako příslušenství (není součástí dodávky):

Popis	Č. výr.
Prodlužovací sekce potrubí (každá sekce pokrývá dalších 10 mm)	4450017931
Delší upevňovací šrouby M6 x 160 mm (pro tloušťku střechy 60 ... 120 mm)	4450012023
Čistička vzduchu	4450029486
Elektrický ohříváč	4450029487
ADB okolní světlo	4450029488
Filtry pro FreshJet FJX4233M	4450024007 4450024008
Filtry pro FreshJet FJX4233EEH/FJX4333E(EH)/FJX7333IHP/FJX7337IHP/FJX7457IHP	4450025683

7 Použití v souladu s účelem

Střešní klimatizace je určena pouze k instalaci na střechu karavanu nebo obytného vozidla za účelem jeho chlazení a vytápění.

Střešní klimatizace **není** určena pro vlaky, domy a byty. Střešní klimatizace **není** určena k montáži do stavebních, zemědělských nebo jiných pracovních strojů.

Tento výrobek je vhodný pouze k určenému účelu a použití v souladu s tímto návodem.

Tento návod poskytuje informace, které jsou nezbytné pro řádnou instalaci a/nebo provoz výrobku. Nedostatečná instalace a/nebo nesprávný provoz či údržba povedou k neuspokojivému výkonu a možné závadě.

Výrobce nepřijímá žádnou odpovědnost za jakékoli zranění nebo poškození výrobku vyplývající z následujícího:

- Nesprávné sestavení nebo připojení včetně nadměrného napětí
- Nesprávná údržba nebo použití jiných náhradních dílů než původních dílů dodaných výrobcem
- Změna výrobku bez výslovného souhlasu výrobce
- Použití k jiným účelům, než jsou popsány v tomto návodu.

Společnost Dometic si vyhrazuje právo změnit vzhled a specifikace výrobku.

8 Seznam modelů

Modely se rozlišují na mechanické, s pevnými otáčkami anebo s měničem.

V následující tabulce je uvedeno, která funkce se vztahuje na konkrétní model:

- Funkce je k dispozici
- Funkci je možné doplnit

	FJX4233M	FJX4233EEH	FJX4333EEH	FJX4333E	FJX7333IHP	FJX7337IHP	FJX7457IHP
	Mechanické	Pevné otáčky			Měnič		
Automatický		●	●	●	●	●	●
Chlazení	●	●	●	●	●	●	●
Ohřev		●	●	○	●	●	●
Větrání	●	●	●	●	●	●	●
Odvlhčování		●	●	●	●	●	●
Čistička vzduchu	○	●	●	○	●	●	●
ADB světlo		●	●	○	●	●	●
Externí světlo					●	●	●
Časovač		●	●	●	●	●	●
Spánek		●	●	●	●	●	●
Soft Start			●	○	●	●	●

9 Vysvětlení symbolů na spotřebiči


A2L

Výstraha! Materiál s nízkou rychlostí hoření.



Přečtěte si návod k obsluze.



Přečtěte si servisní příručku.

10 Technická omezení a podmínky

Střešní klimatizace je určena pro vozidla se střešními o tloušťce 25 mm ... 60 mm. Střešní klimatizační jednotka bude fungovat při okolní teplotě v rozmezí -2 °C ... 52 °C. Střešní klimatizace je určena k montáži v rozmezí ± 10 ° od vodorovné roviny.

11 Montáž



NEBEZPEČÍ! Nebezpečí usmrcení elektrickým proudem

- Elektrické napájení v obytném vozidle musí být připojeno kvalifikovaným elektrikářem, který prokázal dovednosti a znalosti týkající se konstrukce a provozu elektrických zařízení a elektroinstalací a absolvoval bezpečnostní školení, aby byl schopen určit související nebezpečí a zamezit jim.

- Při práci na střešní klimatizaci odpojte veškerá napájení elektrickým proudem, a to včetně měničů.
- Ujistěte se, že během provádění instalace nebo údržby nebude možné obnovit napájení přístroje.



VÝSTRAHA! Nebezpečí usmrcení elektrickým proudem

- Přístroj je třeba instalovat v souladu s vnitrostátními elektroinstalačními předpisy.
- Do pevné elektroinstalace musí být začleněny následující prvky v souladu s předpisy pro elektroinstalaci: Odpojovač všech pólů, který má na všech pólech vzdálenost rozpojených kontaktů min. 3 mm; při svodovém proudu, který může překročit 10 mA, proudový chránič (RCD) se jmenovitým reziduálním provozním proudem nepřesahujícím 30 mA; odpojení.
- Pokud přístroj nahrazuje okno nebo poklop s bezpečnostní funkcí nuceného větrání, je třeba doplnit další bezpečnostní větrací zařízení (např. hříbový ventilátor apod.). V případě pochybností se obraťte na výrobce vozidla.
- Po montáži střešní klimatizace musí výfukový komín v blízkosti střešní klimatizace stoupat alespoň 10 cm nad ní. V případě potřeby výfukový komín prodlužte. Dodržujte pokyny výrobce topidla.



UPOZORNĚNÍ! Nebezpečí úrazu!

- Nesprávně provedená montáž klimatizace může mít za následek nevratné poškození přístroje a ohrožení bezpečnosti uživatele.
- Při přenášení nebo zvedání střešní klimatizace pracujte vždy ve dvojici.
- Při instalaci přístroje (při vrtání, šroubování apod.) ověřte umístění stávajících, a především pak skrytých kabelů, rozvodů a dalších součástí, které se mohou nacházet v místě montáže.
- Upevněte a instalujte vodiče tak, aby nehrozilo nebezpečí zakopnutí a nemohlo dojít k poškození kabelů.
- Vždy používejte ochranné brýle a rukavice.



POZOR! Nebezpečí poškození

- Přístroj je uzavřený systém s uzavřeným okruhem chladiva. Neotvírejte jej a nemanipulujte s ním, nejste-li technikem s odpovídající kvalifikací.
- Pokud musejí být rozvody vedeny kolem stěn s ostrými hranami, použijte chráničky nebo průchodky.
- Nepokládejte volné nebo ostře zalomené vodiče na elektricky vodivé materiály (kov).
- Netahejte za rozvody a vodiče.
- Zkontrolujte, zda kabeláž nebude vystavena opotřebení, korozi, nadměrnému tlaku, vibracím, ostrým hranám nebo jiným nepříznivým vlivům prostředí. Při kontrole je třeba vzít v úvahu také účinky stárnutí nebo neustálých vibrací ze zdrojů, jako jsou kompresory nebo ventilátory.
- Pamatujte na nosnost střechy vozidla. Střecha vozidla musí být schopna unést hmotnost střešní klimatizace, aniž by došlo k jejímu promáčknutí nebo deformaci. V případě pochybností se obraťte na výrobce vozidla.



POZNÁMKA

- Specifikace přístroje najdete v Technické údaje a na následujících typových štítcích:
- Typový štítek střešní jednotky obr. **3**
- Typový štítek ADB obr. **4**



Další informace o střešních klimatizacích, například technický popis nebo ovládací prvky, naleznete v návodu k obsluze, viz qr.dometic.com/bdjin0x.



obr. 3 na stránce 4 **obr. 4** na stránce 4

- Zvolte si způsob instalace střešní klimatizace:
 - Zhotovte nový otvor. V tomto případě musí být otvor vyztužen vhodným rámem.
 - Použití stávajícího otvoru ve vozidle, jako je například střešní okno, nebo výměna staré střešní klimatizace.
 - Ujistěte se, že jsou dodrženy následující vzdálenosti:

Model	Na výšku < 60 mm	Na výšku > 60 mm			
	Všechny 4 strany	Pravá strana	Levá strana *	Zadní strana *	Přední strana
FJX4333EEH	50 mm	150 mm	150 mm	150 mm	150 mm
FJX7333IHP	50 mm	150 mm	150 mm	150 mm	150 mm
FJX7337IHP	50 mm	300 mm	150 mm	150 mm	150 mm
FJX7457IHP	50 mm	300 mm	150 mm	150 mm	150 mm

* V tomto kontextu je myšlena „levá strana“ a „pravá strana“, když se na jednotku díváte od přední části vozidla.

- Ujistěte se, že jsou dodrženy následující vzdálenosti:

* V tomto kontextu je myšlena „levá strana“ a „pravá strana“, když se na jednotku díváte od přední části vozidla.

Provedení nového otvoru

- Vyberte na střeše místo uprostřed mezi dvěma podélnými profily.
- Označte polohu a velikost otvoru (400 × 400 mm).

obr. 5 na stránce 4

- Vyvrtejte rohy **(A)**.



POZOR! Nebezpečí poškození

Zajistěte, aby nedošlo k poškození elektrických napájecích kabelů. Zkontrolujte, kde jsou umístěny elektrické kabely.

obr. 6 na stránce 5

- Vyřízněte pečlivě otvor ve střeše přímočarou pilou apod. **(B)**.
- Zkontrolujte, zda musí být provedeno zesílení otvoru ve střeše.
- Podle potřeby odstraňte pěnovou výplň v závislosti na šířce výztužných lišt (nejsou obsahem dodávky) **(A)**.

obr. 7 na stránce 5

- Upravte tvar výztužných lišt **(B)**.

Montáž do stávajícího otvoru

9. Odstraňte všechny šrouby a upevňovací prvky stávajícího střešního okna nebo klimatizace.

 **obr. 8** na stránce 5

10. Vyjměte střešní okno nebo střešní klimatizaci.

11. Odstraňte těsnicí materiál kolem otvoru škrabkou apod.

 **obr. 9** na stránce 5

Pokládka rozvodů

12. Porovnejte údaj o napětí na výrobním štítku střešní klimatizace se stávajícím zdrojem napájení. Střešní klimatizace musí být napojena na proudový obvod, který je konstruován tak, aby dodával potřebný proud (Technické údaje).

13. Ujistěte se, že zdroj napájení je vybaven proudovým chráničem (< 30 mA). Pokud chybí, nainstalujte proudový chránič.

14. Na místě montáže namontujte všepólový spínač s rozpojením na vzdálenost kontaktů alespoň 3 mm.

15. Vyberte průřez napájecího kabelu v souladu s jeho délkou:

- Délka < 7,5 m: 1,5 mm²
- Délka > 7,5 m: 2,5 mm²

16. Zhotovte otvor na jedné straně, abyste mohli provléct napájecí kabel.

 **obr. 10** na stránce 5

17. Napájecí kabel zaveďte otvorem dovnitř vozidla.

Montáž střešní jednotky

18. Spodní stranu střešního rámu utěsníte pružnou netvrdnoucí butylovou těsnicí hmotou (jako je např. SikaLastomer-710, Selleys Butyl Mastic, butylový tmel Bostik ezycaulk nebo podobné výrobky). Dodržujte pokyny výrobců těsnicí hmoty.

 **obr. 11** na stránce 6

19. Orientujte střešní rám podle velikosti otvoru.

20. Vsaďte střešní rám do střešního otvoru.

 **obr. 12** na stránce 6

21. Zvedněte střešní jednotku na střechu vozidla. Pamatujte přitom na směr jízdy.

22. Horní střešní jednotku umístěte do střešního rámu a zarovnejte do drážky střešního rámu. K zarovnání do drážky střešního rámu použijte rohy v přední části střešního rámu.

Elektrické připojení

23. Připojte napájecí kabel.

 **obr. 13** na stránce 7

a) Připojte příslušné kabely **(1)** ke kabelové spojce **(2)**.

b) Připojte střešní klimatizaci k napájecímu kabelu.

c) Připojte ukostřovací kabel k ukostřovacímu systému vozidla.

24. **Pouze mechanické modely:** Připojte kabel mezi vnější jednotku a rozvaděč vzduchu.

a) Povytláhněte filtr, aby vznikla mezera pro komunikační kabel **(3)**.

b) Protáhněte kabel mezerou a umístěte vodič do otvoru.

c) Zapojte bipólovou komunikační zástrčku do zásuvky na boku displeje v ADB. Ujistěte se, že je kabel umístěn do malého otvoru mimo oblast filtru.

- d) Přebytečný kabel zajistěte v držácích.
25. **Pouze modely s pevnými otáčkami a modely s měničem:** Připojte komunikační kabel.
- Povyťáhněte filtr, aby vznikla mezera pro komunikační kabel (4).
 - Protáhněte komunikační kabel mezerou a umístěte vodič do otvoru.
 - Zapojte 4pólovou komunikační zástrčku do zásuvky na boku displeje v ADB. Ujistěte se, že je kabel umístěn do malého otvoru mimo oblast filtru.
 - Přebytečný kabel zajistěte v držácích.

Montáž ADB




26. Stohujte sekce potrubí a umístěte je proti tloušťce střechy: Ujistěte se, že výška potrubí odpovídá výšce střechy, nebo použijte jako vodítko tabulku.

 **obr. 14 na stránce 8**

Tloušťka střechy	Počet sekcí potrubí
25 ... 35 mm	1
35 ... 45 mm	2
45 ... 55 mm	3
55 ... 60 mm	4



POZNÁMKA Pro silnější střechy lze zakoupit další sekce potrubí.

27. Na ADB upevněte požadovaný počet sekcí potrubí.
28. ADB upevněte ke stropu přes střešní jednotku pomocí 4 dodaných šroubů. Utáhněte šrouby momentovým klíčem a utahovacím momentem $2.5 \text{ Nm} \pm 0.3 \text{ Nm}$.
-  **obr. 15 na stránce 9**
29. Úplně zatlačte filtr zpět.
-  **obr. 16 na stránce 9**
30. Připněte středový kryt k ADB.
-  **obr. 17 na stránce 10**
31. Informujte se u výrobce vašeho automobilu, zda není nutné po instalaci střešní klimatizace provést technickou kontrolu vozidla (podle § 19 vyhlášky o provozu vozidel na silničních komunikacích) a změnu v dokumentaci vozidla:
- FreshJet FJX4233, FreshJet FJX4333, FreshJet FJX7333: Zvýšená výška 225 mm
 - FreshJet FJX7337: Zvýšená výška 242 mm
 - FreshJet FJX7457: Zvýšená výška 283 mm

✓ Montáž je nyní dokončena.

Připojte k napájení a vyzkoušejte, zda střešní klimatizace funguje.

12 Schémata zapojení

FJX4233M

 **obr. 18 na stránce 10**

FJX4233E, FJX4333E(EH), FJX7333IHP obr. 19 na stránce 11**FJX7333IHP** obr. 20 na stránce 11**FJX7337IHP, FJX7457IHP** obr. 21 na stránce 12**ADB** obr. 22 na stránce 12

13 Likvidace



Obalový materiál pokud možno zlikvidujte do vhodných recyklačních odpadních nádob. Informace o likvidaci výrobku v souladu s platnými předpisy pro likvidaci vám sdělí místní recyklační středisko nebo specializovaný prodejce.



Chraňte životní prostředí! Baterie nevhazujte do běžného domovního odpadu. Vadné nebo použité baterie vraťte svému prodejci nebo je zlikvidujte ve sběrném dvoře.

14 Technické údaje

 obr. 23 na stránce 13  obr. 24 na stránce 13  obr. 25 na stránce 13  obr. 26 na stránce 14

Obsahuje fluorované skleníkové plyny. Hermeticky utěsněné zařízení.

Společnost Dometic tímto prohlašuje, že toto rádiové zařízení odpovídá směrnici 2014/53/EU. Plné znění prohlášení o shodě EU je k dispozici na následující internetové adrese <http://documents.dometic.com>.

	FreshJet FJX4233M
Chladicí výkon v souladu s ISO 5151:	1500 W
Vstupní napětí střídavého proudu:	220 V ... 240 V / 50 Hz
Jmenovitý proud chlazení:	3,1 A
Požadovaná pojistka:	Min. 4 A, max. 16 A
Rozsah provozních teplot:	-2 °C ... 52 °C
Chladicí médium:	R410a
Množství chladicího média:	380 g
Ekvivalent CO ₂ :	0,793 t
Potenciál skleníkových plynů (GWP):	2088
Stupeň krytí (střešní jednotka):	IPX4

	FreshJet FJX4233M
Hlučnost (nejvyšší nastavení ventilátoru)	< 70 dB(A)
Frekvence	2,4 GHz
Maximální výkon radiové frekvence	19,14 dBm
Navržená max. délka vozidla (s izolovanými stěnami):	≤ 5 m
Rozměry D x Š x V	obr. 23
Hmotnost:	< 30 kg
Zkouška/certifikát:	CE UK

	FreshJet FJX4233EEH	FreshJet FJX4333EEH	FreshJet FJX4333E
Chladicí výkon v souladu s ISO 5151:	1700 W	2200 W	2200 W
Chladicí výkon v souladu s ISO 5151:	800 W	1000 W	-
Vstupní napětí střídavého proudu:	220 V ... 240 V / 50 Hz		
Jmenovitý proud při chlazení:	3,4 A	4,6 A	4,6 A
Jmenovitý proud při topení:	3,7 A	4,4 A	-
Požadovaná pojistka:	Min. 4 A, max. 16 A	Min. 5 A, max. 16 A	Min. 5 A, max. 16 A
Rozsah provozních teplot:	-2 °C ... 52 °C		
Chladicí médium:	R32		
Množství chladicího média:	320 g	360 g	360 g
Ekvivalent CO ₂ :	0,216 t	0,243 t	0,243 t
Potenciál skleníkových plynů (GWP):	675		
Stupeň krytí (střešní jednotka):	IPX4		
Hlučnost (nejvyšší nastavení ventilátoru)	< 70 dB(A)		
Frekvence	2,4 GHz		
Maximální výkon radiové frekvence	19,14 dBm		
Navržená max. délka vozidla (s izolovanými stěnami):	≤ 6 m	≤ 7 m	≤ 7 m
Rozměry D x Š x V	obr. 24		
Hmotnost:	< 30 kg	< 30 kg	< 30 kg
Zkouška/certifikát:	CE UK		

	Freshjet FJX7333IHP	Freshjet FJX7337IHP	Freshjet FJX7457IHP
Chladicí výkon v souladu s ISO 5151:	2200 W	3000 W	3500 W
Chladicí výkon v souladu s ISO 5151:	2000 W	2500 W	3000 W
Vstupní napětí střídavého proudu:	220 V ... 240 V / 50 Hz ... 60 Hz		
Jmenovitý proud chlazení:	< 5,9 A	< 7,3 A	< 7,5 A
Jmenovitý proud topení:	< 3,7 A	< 5,9 A	< 6,5 A
Požadovaná pojistka:	Min. 6 A, max. 16 A	Min. 8 A, max. 16 A	Min. 8 A, max. 16 A
Rozsah provozních teplot:	-2 °C ... 52 °C		
Chladicí médium:	R32		
Množství chladicího média:	400 g	480 g	650 g
Ekvivalent CO ₂ :	0,270 t	0,324 t	0,439 t
Potenciál skleníkových plynů (GWP):	675		
Stupeň krytí (střešní jednotka):	IPX4		
Hlučnost (nejvyšší nastavení ventilátoru)	< 70 dB(A)		
Frekvence	2,4 GHz		
Maximální výkon radiové frekvence	19,14 dBm		
Navržená max. délka vozidla (s izolovanými stěnami):	≤ 7 m	≤ 7 m	> 8 m
Rozměry D x Š x V	obr. 24	obr. 25	obr. 26
Hmotnost:	< 30 kg	< 35 kg	< 40 kg
Zkouška/certifikát:	CE UK		

Magyar

1	Fontos információk.....	190
2	Szimbólumok magyarázata.....	190
3	Célcsoportok.....	191
4	Biztonsági útmutatások.....	191
5	A csomag tartalma.....	192
6	Tartozékok.....	193
7	Rendeltetésszerű használat.....	193
8	Modellek listája.....	193
9	Szimbólumok magyarázata a készüléken.....	194
10	Műszaki korlátok és feltételek.....	194
11	Szerelés.....	194
12	Csatlakozási tervek.....	199
13	Ártalmatlanítás.....	199
14	Műszaki adatok.....	199

1 Fontos információk

A termék mindenkoriszakszerű telepítése, használata és karbantartása érdekében kérjük figyelmesen olvassa el az ebben a termék kézikönyvben található utasításokat, irányelveket és figyelmeztetéseket, valamint mindig tartsa be ezeket. Ezt az útmutatót a termék közelében KELL tartani.

A termék használatba vételével Ön kijelenti hogy figyelmesen elolvasta az összes utasítást, irányelvet és figyelmeztetést, valamint megértette és elfogadja az itt leírt szerződési feltételeket. Ön elfogadja, hogy kizárólag a rendeltetésének megfelelő célra és a jelen termék kézikönyvben leírt útmutatásoknak, irányelveknek és figyelmeztetéseknek, valamint a hatályos törvényeknek és szabályozásoknak megfelelően használja ezt a terméket. Az itt leírt utasítások és figyelmeztetések elolvasásának és betartásának elmulasztása saját és mások sérüléséhez, a termék vagy a közelben található más anyagi javak károsodásához vezethet. Ez a termék kézikönyv és a benne található utasítások, irányelvek és figyelmeztetések, valamint a kapcsolódó dokumentációk módosulhatnak és frissülhetnek. Naprakész termékinformációkért látogasson el a következő honlapra: documents.dometic.com.

2 Szimbólumok magyarázata



VESZÉLY!

Veszélyes helyzetet jelöl, amely súlyos sérülést vagy halált okoz, ha nem kerülik el.



FIGYELMEZTETÉS!

Veszélyes helyzetet jelöl, amely súlyos sérülést vagy halált okozhat, ha nem kerülik el.



VIGYÁZAT!

Veszélyes helyzetet jelöl, amely könnyű vagy mérsékelt sérülést okozhat, ha nem kerülik el.



FIGYELEM!

Olyan helyzetet jelöl, amely vagyoni kárt okozhat, ha nem kerülik el.



MEGJEGYZÉS A termék kezelésére vonatkozó kiegészítő információk.

3 Célcsoportok



Az elektromos áramellátást olyan szakképzett villanyszerelőnek kell csatlakoztatnia, aki bizonyítottan rendelkezik az elektromos berendezések és szerelvények építésével és működtetésével kapcsolatos készségekkel és ismeretekkel, és az ezzel járó veszélyek felismerése és elkerülése érdekében biztonsági képzésben részesült.



Egy szakképzett személy is elvégezheti a mechanikai szerelést, feltéve hogy ismeri a berendezés felépítését és működését, valamint az ezzel járó veszélyeket.

4 Biztonsági útmutatások



FIGYELMEZTETÉS! Ezeknek a figyelmeztetéseknek a figyelmen kívül hagyása súlyos, vagy halálos sérüléshez vezethet.

- A készülék javítást csak olyan szakember végezheti, aki ismeri az ezzel kapcsolatos veszélyeket, illetve vonatkozó előírásokat. A szakszerűtlen javítások jelentős veszélyeket okozhatnak. Javítás esetén forduljon az Ön országában illetékes szervizközponthoz (lásd: dometic.com/dealer).
- A készüléket az elektromos és mechanikai beépítésre vonatkozó országos előírásoknak megfelelően kell telepíteni.
- **Az elektromos berendezés nem játék.** A gyermekek az elektromos készülékekből eredő veszélyeket nem tudják ténylegesen felmérni. Soha ne hagyja, hogy gyermekek felügyelet nélkül elektromos készülékeket használjanak.
- Azok a személyek, akik fizikai, érzékszervi vagy szellemi képességeik, illetve tapasztalatlanságuk vagy hiányos ismereteik miatt nem képesek biztonságosan használni a készüléket, felelős személy felügyelete vagy útmutatásai nélkül nem használhatják ezt.
- Tűz esetén **ne** vegye le a készülék felső fedelét. Használjon engedélyezett oldószereket. Az oltáshoz ne használjon vizet.
- A készüléket olyan helyiségben kell tárolni, ahol nincs folyamatosan működő nyílt láng (például üzemelő gázkészülék) és szikraforrás (például üzemelő elektromos fűtőttest).
- A készüléket vízszintesen, száraz, szellőztetett és fedett helyen kell tárolni.
- Ne szúrja ki és ne dobja tűzbe a készüléket.
- Vegye figyelembe, hogy a hűtőközegek szagtalanok lehetnek.
- A tetőklima-berendezést olyan járműbe kell beszerelni, amelynek padlófelülete nagyobb, mint 4 m².



VIGYÁZAT! Ezeknek a felhívásoknak a figyelmen kívül hagyása könnyű vagy mérsékelt sérüléshez vezethet.

- A készüléket csak akkor üzemeltesse, ha a ház és a vezetékek nem sérültek.
- Ne használja a készüléket gyúlékony folyadékok közelében vagy zárt térben.
- Ügyeljen arra, hogy a levegőkivezető nyílás területén ne legyenek éghető tárgyak tárolva vagy felszerelve. A távolság legalább 50 cm legyen.
- Ne nyúljon a levegőkivezető nyílásaiba, és ne vezessen be idegen tárgyakat a készülékbe.

- Mindig viseljen védőszemüveget és védőkesztyűt.



FIGYELEM! Károsodás veszélye

- A készülék optimálisan üzemi hőmérséklete: 1020 mbar.
- A készüléket úgy kell tárolni, hogy ne keletkezzenek mechanikai sérülések.
- A felszerelés előtt ellenőrizze, hogy a felszerelés következtében nem sérülnek-e a készülék szerkezeti elemei (például lámpák, szekrények, ajtók). Lehetséges, hogy a jármű gyártója már kijelölt olyan pontokat, ahol anélkül alakítható ki nyílás a készülék felszerelése számára, hogy a szerkezet gyengítésének vagy a tápkábelek elvágásának veszélye állna fenn.
- Annak ellenőrzése érdekében, hogy a szerkezetet a statikus súlya és a tető klímaberendezés terhelésére tervezték-e, amikor a jármű mozgásban van, a beszerelés előtt konzultáljon a jármű gyártójával.
- Biztosítsa hogy a tetőkeret megfelelően szigetelve legyen a tetőig.
- A felszereléshez lapos és kellően sima területet válasszon a járműtető két hosszanti profilja között, középen.
- A felszerelés helyén a tető hajlásszöge nem lehet nagyobb mint 10 °.
- Biztosítsa, hogy a jármű belső terében a levegőelosztó doboz rögzítése ne legyen akadályozva, és a lehűtött levegő az elfordítható légelesztő fúvókán keresztül kiáramolhasson.
- Ne végezzen módosításokat vagy átépítéseket a készüléken!
- Felszerelt tetőklíma-berendezéssel tilos autómósó berendezésbe behajtani.
- A hűtőközegkörben előforduló hibák esetén a rendszer szakcéggel kell ellenőriztetni és megfelelően meg kell javítani.
- Tilos a hűtőközeget a légkörbe engedni.
- Kérdezze meg a jármű gyártójától, hogy a tetőklíma-berendezés járműre történő ráépítése szükséges-e a forgalmi engedélyben bejegyzett járműmagasság módosítását.

5 A csomag tartalma

1. ábra, 3. oldal 2. ábra, 3. oldal

Sz. ebben: . ábra 1 , . ábra 2	Mennyiség	Leírás
1	1	Tetőegység
2	1	Tetőszerkezet
3	1	Levegőelosztó doboz (ADB)
4	1	ADB középső burkolata
5	4	Átvezető elemek
6	3	Kábelcsatlakozók
7	4	Rögzítőcsavarok
8	1	Doboz fedél
9	1	Csak néhány modell esetében: Távirányító

6 Tartozékok

Tartozékként kapható (nincs mellékelve):

Leírás	Cikksz.
Kiegészítő átvezető elemek (minden egyes elem plusz 10 mm-t jelent)	4450017931
Hosszabb rögzítőcsavarok M6 x 160 mm (60 ... 120 mm tetővastagsághoz)	4450012023
Levegőtisztító	4450029486
Elektromos fűtő	4450029487
ADB térvilágítás	4450029488
Szűrők FreshJet FJX4233M készülékhez	4450024007 4450024008
Szűrők FreshJet FJX4233EEH/FJX4333E(EH)/FJX7333IHP/FJX7337IHP/FJX7457IHP	4450025683

7 Rendeltetészerű használat

A tetőklíma-berendezés hűtés és fűtése biztosítása céljából kizárólag lakóocsi vagy lakóautó tetejére történő felszerelésre alkalmas.

A tetőklíma-berendezés vonatokhoz, házakhoz és lakásokhoz **nem** alkalmas. A tetőklíma-berendezés építőipari gépekbe, mezőgazdasági gépekbe vagy hasonló munkakészülékekbe történő beszerelésre **nem** alkalmas.

Ez a termék az itt leírt utasításoknak megfelelő rendeltetészerű használatra alkalmas.

Ez a kézikönyv olyan információkat nyújt, amelyek a termék szakszerű telepítéséhez és/vagy üzemeltetéséhez szükségesek. A hibás telepítés és/vagy a szakszerűtlen üzemeltetés vagy karbantartás elégtelen teljesítményhez és potenciálisan meghibásodáshoz vezethet.

A gyártó nem vállal felelősséget a termék olyan károsodásáért, vagy sérülésekért, amelyek a következőkre vezethetők vissza:

- Hibás beszerelés, összeszerelés vagy csatlakoztatás, ideértve a túlfeszültséget is
- Helytelen karbantartás, vagy a gyártó által szállított eredeti cserealkatrésztől eltérő cserealkatrészek használata
- A termék kifejezett gyártói engedély nélküli módosítása
- Az útmutatóban leírt céloktól eltérő felhasználás

A Dometic fenntartja a termék megjelenésének és specifikációjának módosítására vonatkozó jogát.

8 Modellek listája

Mechanikus, rögzített sebességű és inverteres modelleket különböztetünk meg.

A következő táblázatban látható, hogy melyik funkció melyik modellelre vonatkozik:

● A funkció elérhető

○ A funkció frissíthető

	FJX4233M	FJX4233EEH	FJX4333EEH	FJX4333E	FJX7333IHP	FJX7337IHP	FJX7457IHP
	Mechanikai	Rögzített sebességű			Inverter		
Automatikus		●	●	●	●	●	●
Hűtés	●	●	●	●	●	●	●
Melegítés		●	●	○	●	●	●
Szellőztetés	●	●	●	●	●	●	●
Páramentesítés		●	●	●	●	●	●
Levegőtisztító	○	●	●	○	●	●	●
ADB lámpa		●	●	○	●	●	●
Külső világítás					●	●	●
Időzítő		●	●	●	●	●	●
Alvás		●	●	●	●	●	●
Lágyindítás			●	○	●	●	●

9 Szimbólumok magyarázata a készüléken



Figyelmeztetés! Kis sebességgel égő anyag.



Olvassa el a használati utasítást.



Olvassa el a szerviz kézikönyvet.

10 Műszaki korlátok és feltételek

A tetőklíma-berendezés 25 mm ... 60 mm vastagságú tetővel rendelkező járművekhez alkalmas. A tetőklíma-berendezés -2 °C ... 52 °C közötti hőmérséklet tartományban üzemel. A tetőklíma-berendezést a vízszintes síkhoz képest ± 10 ° belüli eltéréssel kell felszerelni.

11 Szerelés



VESZÉLY! Áramütés miatti veszély

- A szabadidőjármű elektromos áramellátását olyan szakképzett villanyszerelőnek kell csatlakoztatnia, aki bizonyítottan rendelkezik az elektromos berendezések és szerelvények építésével és

működtetésével kapcsolatos készségekkel és ismeretekkel, és az ezzel járó veszélyek felismerése és elkerülése érdekében biztonsági képzésben részesült.

- A tetőklíma-berendezésen végzendő munkák előtt szakítsa meg az összes feszültségellátást, ideértve az invertereket is.
- Ügyeljen arra, hogy a készülék áramellátását a telepítés vagy karbantartás során ne lehessen újracsatlakoztatni.



FIGYELMEZTETÉS! Áramütés miatti veszély

- A készüléket a bekötésre vonatkozó országos előírásoknak megfelelően kell telepíteni.
- A kábelezési szabályoknak megfelelően a következőket kell beépíteni a rögzített kábelezésbe: Olyan összes pólust megszakító berendezés, amely minden póluson legalább 3 mm szabad helyet rendelkezik; ha a szivárgási áram meghaladhatja a 10 mA értéket, olyan hibaáram védőkapcsoló (RCD), amelynek névleges maradvány üzemi árama nem haladja meg a 30 mA értéket; megszakító.
- Ha a készülék biztonsági szempontból fontos, kényszerzellőztető funkcióval rendelkező ablak vagy tetőablak helyettesítésére szolgál, akkor további biztonsági szellőzőberendezést (pl. gombaventilátort vagy hasonlót) kell beszerezni. Bizonytalanság esetén forduljon a jármű gyártójához.
- A tetőklíma-berendezés beszerelése után a tetőklíma-berendezés közelében lévő elszívó kürtőnek legalább 10 cm magasabbnak kell emelkednie a tetőklíma-berendezésnél. Szükség esetén hosszabbítsa meg az elszívó kürtőt. Tartsa be a fűtőberendezés gyártójának utasításait.



VIGYÁZAT! Sérülésveszély

- A tetőklíma-berendezés hibás felszerelése a készülék helyrehozhatatlan károsodását okozhatja és a felhasználó biztonságát veszélyeztetheti.
- A tetőklíma-berendezést mindig két személy vigye vagy emelje.
- A készülék beszerelése előtt (fúrás, csavarozás, stb.) ellenőrizze a meglévő - különösen a nem látható - kábelkötegek, vezetékek és a szerelési tartományban lévő más részegységek elhelyezkedését.
- A vezetékeket úgy csatlakoztassa és helyezze el, hogy ne keletkezzen botlásveszély, és a vezeték ne sérülhessen meg.
- Mindig viseljen védőszemüveget és védőkesztyűt.



FIGYELEM! Károsodás veszélye

- A készülék zárt hűtőközeg körrel rendelkező zárt rendszer. Ne nyissa ki és ne manipulálja, kivéve, ha Ön megfelelő képesítéssel rendelkező szakember.
- Ha a vezetékeket éles peremű falakon kell átvezetnie, akkor használjon kábelcsatornákat!
- Ne vezessen laza vagy élesen megtört vezetékeket elektromosan vezető anyagokon (fém).
- A vezetékekre ne fejtse ki húzóerőt.
- Ellenőrizze, hogy a kábelezés ne legyen kitéve kopásnak, korróziónak, túlzott nyomásnak, rezgésnek, éles szegélyeknek vagy más káros környezeti hatásoknak. Az ellenőrzésnek figyelembe kell vennie az öregedést, vagy az olyan források, mint a kompresszorok vagy ventilátorok által keltett folyamatos rezgések hatásait is.
- Vegye figyelembe a járműtető szerkezeti szilárdságát. A jármű tetejének képesnek kell lennie a tetőklíma-berendezés súlyának megtartására anélkül, hogy behorpadna vagy deformálódna. Bizonytalanság esetén forduljon a jármű gyártójához.



MEGJEGYZÉS

- A készülék specifikációit itt: Műszaki adatok és a következő adattáblákon találhatja meg:
- Tetőegység adattábla . ábra **3**
- ADB adattábla . ábra **4**



A tetőklíma-berendezéssel kapcsolatos további információk, például a műszaki leírások vagy a kezelés és a kezelési útmutatóban találhatóak, lásd: qr.dometic.com/bdjin0x.



3. ábra, 4. oldal **4. ábra, 4. oldal**

- Válassza ki a tetőklíma-berendezés felszerelésének módját:
 - Új nyílás elkészítése. Ebben az esetben a nyílást megfelelő kerettel kell megerősíteni.
 - A jármű meglévő nyílásának használata, például tetőablaknyílás használata vagy régi tetőklíma-berendezés cseréje.
 - Ügyeljen a következő távolságok betartására:

Modell	Tárgy magasság < 60 mm		Tárgy magasság > 60 mm		
	Mind a 4 oldal	Jobb	Bal *	Hátulnézet *	Előoldal
FJX4333EEH	50 mm	150 mm	150 mm	150 mm	150 mm
FJX7333IHP	50 mm	150 mm	150 mm	150 mm	150 mm
FJX7337IHP	50 mm	300 mm	150 mm	150 mm	150 mm
FJX7457IHP	50 mm	300 mm	150 mm	150 mm	150 mm

* Ebben az összefüggésben a "bal" és "jobb" azt jelenti, amikor a jármű eleje felől nézi az egységet.

- Ügyeljen a következő távolságok betartására:

* Ebben az összefüggésben a "bal" és "jobb" azt jelenti, amikor a jármű eleje felől nézi az egységet.

Új nyílás létrehozása

- Válasszon ki a tetőn egy területet középen, két hosszanti profil között.
- Jelölje ki a nyílás pozícióját és méretét (400 × 400 mm).

5. ábra, 4. oldal

- Fúrja ki a sarkokat (**A**).



FIGYELEM! Károsodás veszélye

Ennek során biztosítsa, hogy az elektromos kábelek ne sérüljenek meg. Ellenőrizze az elektromos kábelek helyét.

6. ábra, 5. oldal

- Lyukfűrész vagy hasonló szerszám használatával óvatosan vágja ki a nyílást a tetőn (**B**).
- Ellenőrizze, hogy a tetőkivágást meg kell-e erősíteni.

7. Ha igen, akkor távolítsa el a habanyagot a merevítőlécek (ezeket a csomag nem tartalmazza) szélességében (A).

 **7. ábra, 5. oldal**

8. Illessze be a megerősítőléceket (B).

Meglévő nyílásba történő beszerelés

9. Távolítsa el a meglévő tetőablaknyílás vagy klímaberendezés összes csavarját és rögzítését.

 **8. ábra, 5. oldal**

10. Vegye le a tetőablaknyílást vagy a tetőklíma-berendezést.

11. Távolítsa el a nyílás körüli tömítőanyagot kaparóval vagy hasonló eszközzel.

 **9. ábra, 5. oldal**

A csatlakozóvezetékek elhelyezése

12. Ellenőrizze, hogy a tetőklíma-berendezés adattábláján feltüntetett feszültségadat megegyezik-e a áramellátás feszültségadatával. A tetőklíma-berendezés csak olyan áramkörre csatlakoztatható, amely képes a szükséges áram biztosítására (Műszaki adatok).

13. Gondoskodjon arról, hogy az áramellátás rendelkezzen hibaáram védőkapcsolóval (< 30 mA). Ha nincs ilyen, telepítsen hibaáram védőkapcsolót.

14. Szereljen fel egy olyan összpólusú kapcsolót, amely a beszerelés oldalán legalább 3 mm széles csatlakozónyílással rendelkezik.

15. Válassza meg a hosszaknak megfelelő tápkábel keresztmetszetet:

- Hossz < 7.5 m: 1,5 mm²
- Hossz > 7.5 m: 2,5 mm²

16. Az egyik oldalon alakítson ki nyílást, amelyen átvezethető a tápkábel.

 **10. ábra, 5. oldal**

17. Vezesse át a tápkábelt a nyíláson a jármű belső terébe.

A tetőegység felszerelése

18. Rugalmas, nem kikeményedő butil tömítőanyaggal (pl. Sikalastomer-710, Selleys Butyl Mastic, Bostik ezycalk butil tömítőanyag vagy hasonló termékek) tömítse a tetőkeret alsó oldala körüli részeket. Vegye figyelembe a tömítőanyag-gyártó útmutatásait.

 **11. ábra, 6. oldal**

19. A nyílás méretének megfelelően igazítsa be a tetőkeretet.

20. Helyezze be a tetőkeretet a tetőnyílásba.

 **12. ábra, 6. oldal**

21. Emelje fel a tetőegységet a járműtetőre. Vegye figyelembe a menetirányt.

22. Helyezze a tetőegységet a tetőszerkezetbe, és igazítsa a tetőszerkezet hornyába. A tetőszerkezet hornyába való igazításhoz használja a tetőszerkezet elején lévő sarkokat.

Elektromos csatlakoztatás

23. Csatlakoztassa a tápkábelt.

 **13. ábra, 7. oldal**

- a) Csatlakoztassa a kábeleket (1) egy kábelcsatlakozóhoz (2).
- b) Csatlakoztassa a tetőklíma-berendezést az áramellátáshoz.
- c) Csatlakoztassa a földelőkábel a jármű földelési rendszeréhez.

24. **Csak mechanikus modellek esetében:** Csatlakoztassa a kültéri egység és a levegőelosztó doboz közötti kábelt.
- A szűrőt kissé kihúzva teremtse hézagot a kommunikációs kábel **(3)** számára.
 - Vezesse át a kommunikációs kábelt a résen, és helyezze el a nyílásban a vezetékét.
 - Csatlakoztassa a 6 tűs kommunikációs dugaszt az ADB egységhez, a kijelző oldalán található aljzathoz. Ügyeljen arra, hogy a vezeték a szűrő területéről kivezető kis nyílásban legyen.
 - Rögzítse a tartókba a felesleges vezetékét.
25. **Csak rögzített sebességű és inverteres modellek esetében:** Csatlakoztassa a kommunikációs kábelt.
- A szűrőt kissé kihúzva teremtse hézagot a kommunikációs kábel **(4)** számára.
 - Vezesse át a kommunikációs kábelt a hézagon, és helyezze el a nyílásban a vezetékét.
 - Csatlakoztassa a 4 tűs kommunikációs dugaszt az ADB egységhez, a kijelző oldalán található aljzathoz. Ügyeljen arra, hogy a vezeték a szűrő területéről kivezető kis nyílásban legyen.
 - Rögzítse a tartókba a felesleges vezetékét.

Az ADB telepítése

26. Illesze egymásba a légcsatorna szakaszokat, és mérje a tető vastagságához: Biztosítsa hogy a légcsatorna magasság megegyezzen a tető magasságával, vagy használja a táblázatot segítségként.

 **14. ábra, 8. oldal**

Tetővastagság	Átvezető elemek száma
25 ... 35 mm	1
35 ... 45 mm	2
45 ... 55 mm	3
55 ... 60 mm	4



MEGJEGYZÉS Vastagabb tetőkhöz plusz átvezető elemek vásárolhatók.

27. Csatlakoztassa a szükséges számú átvezető elemet az ADB-re.
28. A mellékelt 4 darab csavart a tetőegységen átvezetve rögzítse az ADB egységet a mennyezetre. Nyomatékkulcs használatával, 2.5 Nm ± 0.3 Nm meghúzási nyomatékkal rögzítse a csavarokat.

 **15. ábra, 9. oldal**

29. Teljesen nyomja vissza a szűrőt.

 **16. ábra, 9. oldal**

30. Pattintsa fel az ADB középső burkolatát.

 **17. ábra, 10. oldal**

31. Érdeklődj meg járműve gyártójától, hogy tetőklíma-berendezés felszerelését követően szükség van-e műszaki felülvizsgálatra, és hogy módosítani kell-e a jármű dokumentumaiban szereplő magasságot:

- FreshJet FJX4233, FreshJet FJX4333, FreshJet FJX7333: Megnövekedett magasság 225 mm
- FreshJet FJX7337: Megnövekedett magasság 242 mm
- FreshJet FJX7457: Megnövekedett magasság 283 mm

✓ Ezzel befejeződött a felszerelés.

Csatlakoztassa az áramellátást és tesztelje a tetőklíma-berendezés működését.

12 Csatlakozási tervek

FJX4233M

 18. ábra, 10. oldal

FJX4233E, FJX4333E(EH), FJX7333IHP készülékhez

 19. ábra, 11. oldal

FJX7333IHP

 20. ábra, 11. oldal

FJX7337IHP, FJX7457IHP

 21. ábra, 12. oldal

ADB

 22. ábra, 12. oldal

13 Ártalmatlanítás



A csomagolóanyagot lehetőség szerint a megfelelő szelektív hulladékgyűjtő tartályokba kell helyezni. A termékre vonatkozó ártalmatlanítási előírásokról tájékozódjon a legközelebbi újrahasznosító központban, vagy szakkereskedőjénél.



Védje környezetét! Az akkumulátorok és elemek nem kezelhetők háztartási hulladékként. Adja le a meghibásodott akkumulátorokat vagy elhasznált elemeket a kereskedőnél vagy egy gyűjtőhelyen.

14 Műszaki adatok

 23. ábra, 13. oldal  24. ábra, 13. oldal  25. ábra, 13. oldal  26. ábra, 14. oldal



Fluorozott üvegházhatású gázokat tartalmaz. Hermetikusan zárt berendezés.

A Dometic kijelenti, hogy ez a rádióberendezés megfelel a 2014/53/EU irányelvnek. Az EU Megfelelőségi nyilatkozat teljes szövege a <http://documents.dometic.com> honlapon érhető el.

	FreshJet FJX4233M
Hűtőteltjesítmény (ISO 5151 szerint):	1500 W
Változó áramú bemeneti feszültség:	220 V ... 240 V / 50 Hz
Hűtés névleges áramerőssége:	3,1 A
Szükséges biztosíték:	Min. 4 A, max. 16 A
Üzemelési hőmérséklet-tartomány:	-2 °C ... 52 °C

	FreshJet FJX4233M
Hűtőközeg:	R410a
Hűtőközeg mennyisége:	380 g
CO ₂ egyenérték:	0,793 t
Üvegház-potenciál (GWP):	2088
Védelmi osztály (tetőegység):	IPX4
Zajszint (legmagasabb ventilátor-beállítás)	< 70 dB(A)
Frekvencia	2,4 GHz
Maximális rádiófrekvenciás teljesítmény	19,14 dBm
Javasolt max. járműhossz (szigetelt falakkal):	≤ 5 m
Méretek (H x Sz x Ma):	. ábra 23
Súly:	< 30 kg
Vízgátat/tanúsítvány:	CE UK

	FreshJet FJX4233EEH	FreshJet FJX4333EEH	FreshJet FJX4333E
Hűtőteljesítmény (ISO 5151 szerint):	1700 W	2200 W	2200 W
Fűtési teljesítmény az ISO 5151 szabvány alapján:	800 W	1000 W	-
Váltakozó áramú bemeneti feszültség:	220 V ... 240 V / 50 Hz		
Névleges hűtési áramerősség:	3,4 A	4,6 A	4,6 A
Névleges fűtési áramerősség:	3,7 A	4,4 A	-
Szükséges biztosíték:	Min. 4 A, max. 16 A	Min. 5 A, max. 16 A	Min. 5 A, max. 16 A
Üzemelési hőmérséklet-tartomány:	-2 °C ... 52 °C		
Hűtőközeg:	R32		
Hűtőközeg mennyisége:	320 g	360 g	360 g
CO ₂ egyenérték:	0,216 t	0,243 t	0,243 t
Üvegház-potenciál (GWP):	675		
Védelmi osztály (tetőegység):	IPX4		
Zajszint (legmagasabb ventilátor-beállítás)	< 70 dB(A)		
Frekvencia	2,4 GHz		
Maximális rádiófrekvenciás teljesítmény	19,14 dBm		
Javasolt max. járműhossz (szigetelt falakkal):	≤ 6 m	≤ 7 m	≤ 7 m

	FreshJet FJX4233EEH	FreshJet FJX4333EEH	FreshJet FJX4333E
Méretek (H x Sz x Ma):	. ábra 24		
Súly:	< 30 kg	< 30 kg	< 30 kg
Vizsgálat/tanúsítvány:	CE 		
	FreshJet FJX7333IHP	FreshJet FJX7337IHP	FreshJet FJX7457IHP
Hűtőtéljesítmény (ISO 5151 szerint):	2200 W	3000 W	3500 W
Fűtési teljesítmény az ISO 5151 szabvány alapján:	2000 W	2500 W	3000 W
Váltakozó áramú bemeneti feszültség:	220 V ... 240 V / 50 Hz ... 60 Hz		
Hűtés névleges áramerőssége:	< 5,9 A	< 7,3 A	< 7,5 A
Fűtés névleges áramerőssége:	< 3,7 A	< 5,9 A	< 6,5 A
Szükséges biztosíték:	Min. 6 A, max. 16 A	Min. 8 A, max. 16 A	Min. 8 A, max. 16 A
Üzemelési hőmérséklet-tartomány:	-2 °C ... 52 °C		
Hűtőközeg:	R32		
Hűtőközeg mennyisége:	400 g	480 g	650 g
CO ₂ egyenérték:	0,270 t	0,324 t	0,439 t
Üvegház-potenciál (GWP):	675		
Védelmi osztály (tetőegység):	IPX4		
Zajszint (legmagasabb ventilátor-beállítás)	< 70 dB(A)		
Frekvencia	2,4 GHz		
Maximális rádiófrekvenciás teljesítmény	19,14 dBm		
Javasolt max. járműhossz (szigetelt falakkal):	≤ 7 m	≤ 7 m	> 8 m
Méretek (H x Sz x Ma):	. ábra 24	. ábra 25	. ábra 26
Súly:	< 30 kg	< 35 kg	< 40 kg
Vizsgálat/tanúsítvány:	CE 		

Hrvatski

1	Važne napomene.....	202
2	Objašnjenje simbola.....	202
3	Ciljne skupine.....	203
4	Sigurnosne upute.....	203
5	Opseg isporuke.....	204
6	Pribor.....	204
7	Namjena.....	205
8	Popis modela.....	205
9	Objašnjenje simbola na uređaju.....	206
10	Tehnička ograničenja i uvjeti.....	206
11	Instalacija.....	206
12	Dijagram ožičenja.....	210
13	Odlaganje u otpad.....	211
14	Tehnički podaci.....	211

1 Važne napomene

Pažljivo pročitajte ove upute i poštujujte sve upute, smjernice i upozorenja sadržane u ovim uputama kako biste u svakom trenutku osigurali pravilnu instalaciju, uporabu i održavanje proizvoda. Ove upute MORAJU ostati u blizini ovog proizvoda.

Uporabom proizvoda potvrđujete da ste pažljivo pročitali sve upute, smjernice i upozorenja te da razumijete i pristajete poštovati ovdje navedene uvjete i odredbe. Pristajete koristiti se ovim proizvodom samo za predviđenu svrhu i namjenu te u skladu s uputama, smjernicama i upozorenjima navedenima u ovom priručniku za proizvod, kao i u skladu sa svim važećim zakonima i propisima. Ako ne pročitate i ne poštujujete ovdje navedene upute i upozorenja, tada to može dovesti do ozljeđivanja vas i drugih osoba, do oštećenja proizvoda ili druge imovine u blizini. Ovaj priručnik za proizvod, uključujući i upute, smjernice i upozorenja, te povezanu dokumentaciju može biti podložan promjenama i ažuriranjima. Za najnovije podatke o proizvodu posjetite documents.dometic.com.

2 Objašnjenje simbola



OPASNOST!

Naznačuje opasnu situaciju, koja će, ako se ne izbjegne, rezultirati smrću ili teškim ozljedama.



UPOZORENJE!

Naznačuje opasnu situaciju, koja bi, ako se ne izbjegne, mogla rezultirati smrću ili teškim ozljedama.



OPREZ!

Naznačuje opasnu situaciju, koja bi, ako se ne izbjegne, mogla rezultirati lakšim ili umjerenim ozljedama.



POZOR!

Naznačuje situaciju, koja, ako se ne izbjegne, može rezultirati materijalnom štetom.



UPUTA Dodatne informacije za rukovanje proizvodom.

3 Ciljne skupine



Priključak na opskrbu električnom energijom smije izvoditi samo kvalificirani električar koji je pokazao vještinu i znanje u vezi s ugradnjom i radom električne opreme i instalacija te je prošao sigurnosnu obuku kako bi mogao prepoznati i izbjeći opasnosti.



Mehaničku montažu mora izvršiti kvalificirana osoba koja je upoznata s konstrukcijom i radom opreme i povezanim opasnostima.

4 Sigurnosne upute



UPOZORENJE! Nepoštivanje ovih upozorenja moglo bi dovesti do smrti ili teške ozljede.

- Popravak uređaja smije provoditi samo kvalificirano osoblje koje dobro poznaje rizike povezane s njima i relevantne propise. Neadekvatni popravci mogu prouzročiti ozbiljne opasnosti. Za uslugu popravka obratite se servisnom centru u svojoj državi (pogledajte dometic.com/dealer).
- Uređaj se treba montirati sukladno državnim propisima o montaži električnih i mehaničkih uređaja.
- **Električni uređaji nisu igračke.** Čuvajte električne uređaje izvan dohvata djece ili nemoćnih osoba. Nemojte im dopustiti korištenje električnih uređaja bez nadzora.
- Osobe koje zbog svojih fizičkih, senzoričkih ili mentalnih sposobnosti ili zbog nedovoljnog iskustva i znanja nisu u stanju sigurno koristiti uređaj ne bi ga smjele koristiti bez nadzora ili bez uputa odgovorne osobe.
- **Nemojte** otvarati gornji poklopac uređaja u slučaju požara. Upotrebljavajte odobrena sredstva za gašenje požara. Nemojte koristiti vodu za gašenje požara.
- Uređaj je potrebno skladištiti u prostoriji bez izvora otvorenog plamena (primjerice aktivan plinski uređaj) i izvora zapaljenja (primjerice uključena električna grijalica) koji stalno rade.
- Uređaj se treba skladištiti vodoravno i na suhom, prozračenom i prekrivenom mjestu.
- Uređaj nemojte bušiti ni spaljivati.
- Vodite računa da rashladna sredstva ne moraju sadržavati miris.
- Krovni klima-uređaj ugrađuje se na vozilo čija je kvadratura veća od 4 m².



OPREZ! Nepoštivanje ovih upozorenja moglo bi dovesti do lakše ili umjerene ozljede.

- Koristite uređaj samo ako ste sigurni da kućište i kabeli nisu oštećeni.
- Uređaj nemojte upotrebljavati u blizini zapaljivih tekućina ili u zatvorenim prostorima.
- Pobrinite se da u blizini izlaza zraka ne budu uskladišteni ili montirani zapaljivi predmeti. Potrebno je održavati razmak od minimalno 50 cm.
- Nemojte stavljati ruke u izlaze zraka ili umetati strana tijela u uređaj.
- Uvijek nosite zaštitne naočale i rukavice.



POZOR! Opasnost od oštećenja

- Uređaj funkcionira optimalno pri 1020 mbar.

- Uređaj je potrebno skladištiti tako da se spriječi pojava mehaničkih oštećenja.
- Prije montaže provjerite može li montaža uređaja dovesti do oštećenja nekih dijelova vozila (npr. svjetala, pretinaca, vrata). Proizvođač vozila možda je već predvidio mjesta na kojima se može napraviti otvor za montažu uređaja bez rizika od slabljenja konstrukcije ili rezanja strujnih kabela.
- Prije montaže potražite savjet proizvođača vozila i saznajte je li konstrukcija dizajnirana za statičku težinu i opterećenja krovnog klima-uređaja dok je vozilo u pokretu.
- Provjerite je li krovni okvir pravilno zabrtvljen za krov.
- Za montažu odaberite ravno i dovoljno vodoravno područje na sredini krova vozila između dva uzdužna profila.
- Nagib krova na montažnoj površini ne smije premašiti 10 °.
- Pobrinite se za to da u vozilu nema predmeta koji bi mogli ometati pričvršćivanje jedinicom za raspodjelu zraka ili protok ohlađenog zraka kroz zakretne mlaznice za raspodjelu zraka.
- Na uređaju nemojte provoditi izmjene ili preinake.
- Nikada nemojte upotrebljavati automatsku autopraonicu kada je uređaj montiran.
- Ako se u krugu rashladnog sredstva jave greške, sustav mora pregledati specijalizirana tvrtka i mora ga propisno popraviti.
- Rashladno se sredstvo nikada ne smije ispuštati u zrak.
- S proizvođačem vozila provjerite treba li prilagoditi visinu navedenu u dokumentima o vozilu zbog montaže krovnog klima-uređaja.

5 Opseg isporuke

 sl. 1 na stranici 3  sl. 2 na stranici 3

Br. na sl. 1, sl. 2	Količina	Opis
1	1	Krovna jedinica
2	1	Krovni okvir
3	1	Jedinica za raspodjelu zraka (ADB)
4	1	Središnji poklopac jedinice ADB
5	4	Segmenti kanala
6	3	Kabelske spojnice
7	4	Pričvrсни vijci
8	1	Poklopac kućišta
9	1	Samo neki modeli: Daljinski upravljač

6 Pribor

Dostupno kao dodatna oprema (nije uključeno u opseg isporuke):

Opis	Br. art.
Produžni segmenti kanala (svaki segment pokriva dodatnih 10 mm)	4450017931
Duži pričvrсни vijci M6 x 160 mm (za debljine krova 60 ... 120 mm)	4450012023

Opis	Br. art.
Pročišćivač zraka	4450029486
Električni grijač	4450029487
ABD rasvjeta okoline	4450029488
Filtri za FreshJet FJX4233M	4450024007 4450024008
Filtri za FreshJet FJX4233EEH/FJX4333E(EH)/FJX7333IHP/FJX7337IHP/FJX7457IHP	4450025683

7 Namjena

Krovni klima-uređaj namijenjen je isključivo za montažu na krov kamp-kućice ili rekreacijskog vozila da bi se osiguralo grijanje i hlađenje.

Krovni klima-uređaj **nije** prikladan za vlakove, kuće i stanove. Krovni klima-uređaj **nije** prikladan za montažu u građevinskim i poljoprivrednim strojevima ili sličnoj opremi.

Ovaj je proizvod prikladan samo za predviđenu namjenu i primjenu u skladu s ovim uputama.

Ove upute donose informacije neophodne za pravilnu instalaciju i/ili rad proizvoda. Loša instalacija i/ili nepravilan rad ili održavanje rezultirat će nezadovoljavajućom uspješnošću i mogućim kvarom.

Proizvođač ne preuzima nikakvu odgovornost za bilo kakve ozljede ili oštećenja proizvoda koje nastanu kao rezultat:

- nepravilnog sklapanja, montaže ili priključivanja, uključujući i previsok napon
- nepravilnog održavanja ili uporabe nekih drugih rezervnih dijelova osim originalnih rezervnih dijelova koje isporučuje proizvođač
- izmjena na proizvodu bez izričitog dopuštenja proizvođača
- uporabe u svrhe koje nisu opisane u ovim uputama

Dometic pridržava pravo na izmjene izgleda i specifikacija proizvoda.

8 Popis modela

Modeli su podijeljeni na mehaničke modele, modele fiksne brzine i modele s inverterima.

U sljedećoj su tablici prikazane funkcije koje se odnose na određene modele:

Značajka je dostupna

Moguća je nadogradnja na tu značajku

	FJX4233M	FJX4233E-EH	FJX4333E-EH	FJX4333E	FJX7333IHP	FJX7337IHP	FJX7457IHP
	Mehanički	Fiksna brzina			Inverter		
Automatski		●	●	●	●	●	●

	FJX4233M	FJX4233E-EH	FJX4333E-EH	FJX4333E	FJX7333IHP	FJX7337IHP	FJX7457IHP
	Mehanički	Fiksna brzina			Inverter		
Hlađenje	●	●	●	●	●	●	●
Zagrijavanje		●	●	○	●	●	●
Ventilacija	●	●	●	●	●	●	●
Odvlaživanje		●	●	●	●	●	●
Pročišćivač zraka	○	●	●	○	●	●	●
ADB svjetlo		●	●	○	●	●	●
Vanjsko svjetlo					●	●	●
Tajmer		●	●	●	●	●	●
Sleep		●	●	●	●	●	●
Funkcija nježnog pokretanja			●	○	●	●	●

9 Objašnjenje simbola na uređaju


A2L

Pažnja! Materijal s niskom brzinom gorenja.



Pročitajte upute za uporabu.



Pročitajte servisni priručnik.

10 Tehnička ograničenja i uvjeti

Krovni klima-uređaj namijenjen je vozilima s krovovima debljine od 25 mm ... 60 mm. Krovni klima-uređaj radić će na okolnim temperaturama između -2 °C ... 52 °C. Krovni klima-uređaj treba se montirati tako da bude unutar ± 10 ° od horizontalne ravnine.

11 Instalacija


OPASNOST! Opasnost od strujnog udara

- Priključak za opskrbu električnom energijom za rekreacijsko vozilo (RV) smije izvoditi samo kvalificirani električar koji je pokazao vještinu i znanje u vezi s ugradnjom i radom električne opreme i instalacija te je prošao sigurnosnu obuku da bi mogao prepoznati i izbjeći opasnosti.
- Isključite sve izvore napajanja kad radite na krovnom klima-uređaju, uključujući invertere.
- Pobrinite se za to da se uređaj ne može ponovo povezati s izvorom napajanja tijekom montaže ili održavanja.



UPOZORENJE! Opasnost od strujnog udara

- Uređaj se treba montirati sukladno državnim propisima o kabliranju.
- Sljedeće je potrebno uključiti u fiksno ožičenje u skladu s pravilima za ožičenje: Svepolna sigurnosna sklopka za isključivanje koja ima najmanje 3 mm razmaka na svim polovima; u slučaju curenja struje koje može premašiti 10 mA veza sa zaštitnim uređajem struje kvara (RCD) s nazivnom preostalom strujom koja ne premašuje 30 mA bit će prekinuta.
- Ako uređaj zamjenjuje prozor ili otvor sa sigurnosnom obaveznom funkcijom prozračivanja, potrebno je dodati dodatni sigurnosni uređaj za prozračivanje (npr. ventilatorsku gljivicu ili slično). Ako postoje dileme, obratite se proizvođaču vozila.
- Nakon montaže krovnog klima-uređaja dimnjak koji je u blizini krovnog klima-uređaja mora biti uzdignut barem 10 cm iznad njega. Ako je potrebno, produljite dimnjak. Pratite upute proizvođača uređaja za grijanje.



OPREZ! Oprez, opasnost od ozljeda

- Nepropisno izvedena montaža krovnog klima-uređaja može dovesti do nepopravljive štete na uređaju i ugroziti sigurnost korisnika.
- Prilikom nošenja ili podizanja krovnog klima-uređaj obavezno zatražite pomoć još jedne osobe.
- Prije montaže zabilježite lokaciju postojećih kabljskih snopova, žica i drugih komponenata u području montaže, posebice onih koje nisu vidljive tijekom montaže uređaja (prilikom bušenja ili uvrtanja vijaka itd.).
- Priključite i položite kabele tako da se preko njih ne možete spotaknuti ili tako da se ne mogu oštetiti.
- Uvijek nosite zaštitne naočale i rukavice.



POZOR! Opasnost od oštećenja

- Uređaj je zatvoreni sustav sa zatvorenim krugom rashladnog sredstva. Nemojte otvarati uređaj niti manipulirati njime, osim u slučaju da ste obučeni tehničar.
- Koristite kabljske kanale za polaganje kabela kroz zidove s oštrim rubovima.
- Nemojte polagati labave ili svinute kabele pored električno vodljivih materijala (metal).
- Nemojte vući kabele.
- Provjerite kabele i utvrdite da neće biti podložni trošenju, koroziji, prekomjernom pritisku, vibracijama, oštrim rubovima ili drugim nepoželjnim uvjetima iz okoline. Tijekom provjere u obzir uzmite utjecaj starenja ili neprestane vibracije iz izvora kao što su kompresori ili ventilatori.
- Obratite pozornost na strukturnu čvrstoću krova vozila. Krov vozila mora moći nositi težinu krovnog klima-uređaja bez udubljenja ili deformacija. Ako postoje dileme, obratite se proizvođaču vozila.



UPUTA

- Specifikacije uređaja pronaći ćete u dokumentu Tehnički podaci i na sljedećim tipskim pločicama:
- Tipska pločica s podacima o krovnoj jedinici sl. **3**
- ADB tipska pločica sl. **4**



Dodatne informacije o krovnim klima-uređajima potražite u uputama za uporabu, primjerice u odjeljcima o tehničkim opisima i kontrolama, na adresi: qr.dometic.com/bdijN0x.



sl. 3 na stranici 4 sl. 4 na stranici 4

1. Odaberite način montaže krovnog klima-uređaja:
 - Pripremite novi otvor. U ovom slučaju otvor se mora ojačati odgovarajućim okvirom.
 - Upotrijebite postojeći otvor na vozilu, kao što je prozor, ili zamijenite stari krovni klima-uređaj.
 - Obavezno održavajte potrebne razmake:

Model	Visina predmeta < 60 mm		Visina predmeta > 60 mm		
	Sve 4 strane	Desno	Lijevo *	Iza *	Ispred
FJX4333EEH	50 mm	150 mm	150 mm	150 mm	150 mm
FJX7333IHP	50 mm	150 mm	150 mm	150 mm	150 mm
FJX7337IHP	50 mm	300 mm	150 mm	150 mm	150 mm
FJX7457IHP	50 mm	300 mm	150 mm	150 mm	150 mm

* U ovom kontekstu „lijevo“ i „desno“ označavaju položaj kada na jedinicu gledate ispred vozila.

- Obavezno održavajte potrebne razmake:

* U ovom kontekstu „lijevo“ i „desno“ označavaju položaj kada na jedinicu gledate ispred vozila.

Priprema novog otvora

2. Odaberite područje na sredini krova između dva uzdužna profila.
3. Označite položaj i veličinu otvora (400 × 400 mm).

sl. 5 na stranici 4

4. Bušilicom napravite rupe u kutovima **(A)**.



POZOR! Opasnost od oštećenja

Vodite računa o tome da se ne oštete strujni kabeli. Provjerite gdje se nalaze strujni kabeli.

sl. 6 na stranici 5

5. Pažljivo izrežite otvor u krovu s pomoću ubodne pile ili sličnog alata **(B)**.
6. Provjerite je li potrebno ojačanje krovnog otvora.
7. Ako je potrebno, uklonite pjenu u skladu sa širinom letvi za ojačanje (ne isporučuju se s proizvodom) **(A)**.

sl. 7 na stranici 5

8. Postavite letve za ojačanje **(B)**.

Montaža na postojeći otvor

9. Uklonite sve vijke i pričvrstne elemente postojećeg krovnog prozora ili klima-uređaja.

sl. 8 na stranici 5

10. Izvadite krovni prozor ili krovni klima-uređaj.
11. Uklonite brtvilo oko otvora pomoću strugala ili sličnog alata.

 **sl. 9 na stranici 5**

Polaganje priključnih kabela

12. Provjerite odgovara li specificirani napon na tipskoj pločici krovnog klima-uređaja specificiranom izvoru napajanja. Krovni klima-uređaj mora biti povezan sa strujnim krugom koji može dostaviti potrebnu struju (Tehnički podaci).
13. Provjerite ima li strujna mreža automatsku zaštitnu sklopku (< 30 mA). Ako je nema, montirajte automatsku zaštitnu sklopku.
14. Montirajte svepolnu sklopku sa širinom otvaranja kontakta od barem 3 mm na strani montaže.
15. Odaberite presjek kabela napajanja sukladno duljini:
 - Duljina < 7.5 m: 1,5 mm²
 - Duljina > 7.5 m: 2,5 mm²
16. Napravite otvor na jednoj strani da biste proveli električni kabel.

 **sl. 10 na stranici 5**

17. Provedite kabel za napajanje kroz otvor u unutrašnjost vozila.

Montiranje krovne jedinice

18. Zabrtvite područje oko donje strane krovnog okvira fleksibilnom butilnom brtvenom masom koja ne otvrdnjava (npr. Sikalastomer-710, Selleys Butyl Mastic, butilna brtva Bostik ezycaulk ili slični proizvodi). Pridržavajte se uputa proizvođača brtvila.

 **sl. 11 na stranici 6**

19. Okrenite krovni okvir na temelju veličine otvora.
20. Postavite krovni okvir na krovni otvor.

 **sl. 12 na stranici 6**

21. Podignite krovnu jedinicu na krov vozila. Obratite pozornost na smjer vožnje.
22. Položite krovnu jedinicu na krovni okvir i poravnajte je s utorima na krovnom okviru. Upotrijebite kutove na prednjoj strani krovnog okvira da biste jedinicu poravnali s utorom na krovnom okviru.

Električni priključak

23. Priključite kabel za napajanje.

 **sl. 13 na stranici 7**

- a) Priključite kabele **(1)** na kabelsku spojnicu **(2)**.
 - b) Priključite krovni klima-uređaj na izvor napajanja.
 - c) Povežite kabel uzemljenja sa sustavom za uzemljenje vozila.
24. **Samo za mehaničke modele:** kabelom povežite vanjsku jedinicu i jedinicu za izlaz zraka.
 - a) Lagano izvucite filtar da biste napravili otvor za komunikacijski kabel **(3)**.
 - b) Provedite kabel kroz otvor i locirajte vod u otvoru.
 - c) Priključite 6-pinski utikač komunikacijskog kabela u utičnicu s bočne strane zaslona jedinice ADB. Provjerite je li kabel smješten u mali otvor podalje od područja filtra.
 - d) Pričvrstite višak kabela u držače.
 25. **Samo za modele fiksne brzine i modele s inverterima:** priključite komunikacijski kabel.
 - a) Lagano izvucite filtar da biste napravili otvor za komunikacijski kabel **(4)**.
 - b) Provedite komunikacijski kabel kroz otvor i locirajte vod u otvoru.

- c) Priključite 4-pinski utikač komunikacijskog kabela u utičnicu s bočne strane zaslona jedinice ADB. Provjerite je li kabel smješten u mali otvor podalje od područja filtra.
- d) Pričvrstite višak kabela u držače.

Montiranje jedinice ADB

26. Segmente kanala složite jedne na druge i usporedite ih s debljinom krova: visina segmenata kanala trebala bi odgovarati visini krova. U suprotnom upotrijebite tablicu kao smjernice.

 **sl. 14 na stranici 8**

Debljina krova	Broj segmenata kanala
25 ... 35 mm	1
35 ... 45 mm	2
45 ... 55 mm	3
55 ... 60 mm	4



UPUTA Za deblje krovove moguće je kupiti dodatne segmente kanala.

27. Pričvrstite potreban broj segmenata kanala na ADB.
28. Pričvrstite ADB na strop kroz krovnu jedinicu s pomoću 4 priložena vijka. Pritegnite vijke moment ključem i momentom pritezanja od 2,5 Nm ± 0,3 Nm.

 **sl. 15 na stranici 9**

29. Do kraja natrag ugurajte filter.

 **sl. 16 na stranici 9**

30. Uglavite središnji poklopac na ADB.

 **sl. 17 na stranici 10**

31. Raspitajte se kod svog proizvođača vozila je li nakon montaže krovnog klima-uređaja potrebno provesti tehnički pregled i treba li promijeniti visinu unesenu u dokumentima vozila:

- FreshJet FJX4233, FreshJet FJX4333, FreshJet FJX7333: Povećana visina 225 mm
- FreshJet FJX7337: Povećana visina 242 mm
- FreshJet FJX7457: Povećana visina 283 mm

✓ Montaža je sada završena.


Priključite uređaj na izvor napajanja i provjerite radi li krovni klima-uređaj.

12 Dijagram ožičenja

FJX4233M

 **sl. 18 na stranici 10**

FJX4233E, FJX4333E(EH), FJX7333IHP

 **sl. 19 na stranici 11**

FJX7333IHP sl. 20 na stranici 11**FJX7337IHP, FJX7457IHP** sl. 21 na stranici 12**ADB** sl. 22 na stranici 12

13 Odlaganje u otpad



Materijal za pakiranje odložite u odgovarajuće kante za reciklažu otpada kad god je to moguće. Za detalje o odlaganju proizvoda u otpad, zatražite od svog lokalnog centra za recikliranje ili specijaliziranog trgovca pojedinosti o tomu kako to učiniti u skladu s važećim propisima o odlaganju u otpada.



Čuvajte svoj okoliš! Nemojte bacati baterije u miješani kućni otpad. Vratite neispravne ili potrošene baterije trgovcu na malo od kojeg ste kupili proizvod ili ih odložite u otpad na mjestima za prikupljanje.

14 Tehnički podaci

 sl. 23 na stranici 13  sl. 24 na stranici 13  sl. 25 na stranici 13  sl. 26 na stranici 14

Sadrži fluorirane stakleničke plinove. Hermetički zatvorena oprema.

Ovime poduzeće Dometic izjavljuje da je ova radijska oprema u skladu s Direktivom 2014/53/EU. Cjeloviti tekst EU izjave o sukladnosti dostupan je na sljedećoj internetskoj adresi <http://documents.dometic.com>.

	FreshJet FJX4233M
Učinak hlađenja na temelju norme ISO 5151:	1500 W
Ulazni napon izmjenične struje:	220 V ... 240 V / 50 Hz
Nazivna struja hlađenja:	3,1 A
Potreban osigurač:	Min. 4 A, max. 16 A
Raspon radne temperature:	-2 °C ... 52 °C
Rashladno sredstvo:	R410a
Količina rashladnog sredstva:	380 g
Ekvivalent CO ₂ :	0,793 t
Potencijal globalnog zagrijavanja (GWP):	2088
Tip zaštite (krovná jedinica):	IPX4
Razina buke (najveća postavka ventilatora)	< 70 dB(A)
Frekvencija	2,4 GHz

	FreshJet FJX4233M		
Maksimalna snaga radijske frekvencije	19,14 dBm		
Preporučena maks. duljina vozila (s izoliranim stjenkama):	≤ 5 m		
Dimenzije D x Š x V:	sl. 23		
Težina:	< 30 kg		
Pregled/certifikacija:	CE UK		
	FreshJet FJX4233EEH	FreshJet FJX4333EEH	FreshJet FJX4333E
Učinak hlađenja na temelju norme ISO 5151:	1700 W	2200 W	2200 W
Učinak grijanja na temelju norme ISO 5151:	800 W	1000 W	-
Ulazni napon izmjenične struje:	220 V ... 240 V / 50 Hz		
Nazivna struja hlađenja:	3,4 A	4,6 A	4,6 A
Nazivna struja grijanja:	3,7 A	4,4 A	-
Potreban osigurač:	Min. 4 A, max. 16 A	Min. 5 A, max. 16 A	Min. 5 A, max. 16 A
Raspon radne temperature:	-2 °C ... 52 °C		
Rashladno sredstvo:	R32		
Količina rashladnog sredstva:	320 g	360 g	360 g
Ekvivalent CO ₂ :	0,216 t	0,243 t	0,243 t
Potencijal globalnog zagrijavanja (GWP):	675		
Tip zaštite (krovná jedinica):	IPX4		
Razina buke (najveća postavka ventilatora)	< 70 dB(A)		
Frekvencija	2,4 GHz		
Maksimalna snaga radijske frekvencije	19,14 dBm		
Preporučena maks. duljina vozila (s izoliranim stjenkama):	≤ 6 m	≤ 7 m	≤ 7 m
Dimenzije D x Š x V:	sl. 24		
Težina:	< 30 kg	< 30 kg	< 30 kg
Pregled/certifikacija:	CE UK		
	FreshJet FJX7333IHP	FreshJet FJX7337IHP	FreshJet FJX7457IHP
Učinak hlađenja na temelju norme ISO 5151:	2200 W	3000 W	3500 W

	FreshJet FJX7333IHP	FreshJet FJX7337IHP	FreshJet FJX7457IHP
Učinkak grijanja na temelju norme ISO 5151:	2000 W	2500 W	3000 W
Ulazni napon izmjenične struje:	220 V ... 240 V / 50 Hz ... 60 Hz		
Nazivna struja hlađenja:	< 5,9 A	< 7,3 A	< 7,5 A
Nazivna struja grijanja:	< 3,7 A	< 5,9 A	< 6,5 A
Potreban osigurač:	Min. 6 A, max. 16 A	Min. 8 A, max. 16 A	Min. 8 A, max. 16 A
Raspon radne temperature:	-2 °C ... 52 °C		
Rashladno sredstvo:	R32		
Količina rashladnog sredstva:	400 g	480 g	650 g
Ekvivalent CO ₂ :	0,270 t	0,324 t	0,439 t
Potencijal globalnog zagrijavanja (GWP):	675		
Tip zaštite (krovna jedinica):	IPX4		
Razina buke (najveća postavka ventilatora)	< 70 dB(A)		
Frekvencija	2,4 GHz		
Maksimalna snaga radijske frekvencije	19,14 dBm		
Preporučena maks. duljina vozila (s izoliranim stjenkama):	≤ 7 m	≤ 7 m	> 8 m
Dimenzije D x Š x V:	sl. 24	sl. 25	sl. 26
Težina:	< 30 kg	< 35 kg	< 40 kg
Pregled/certifikacija:	CE UK		

Türkçe

1	Önemli notlar.....	214
2	Sembollerin açıklanması.....	214
3	Hedef gruplar.....	215
4	Güvenlik uyarıları.....	215
5	Teslimat kapsamı.....	216
6	Aksesuar.....	216
7	Amacına Uygun Kullanım.....	217
8	Model listesi.....	217
9	Cihaz üzerindeki sembollerin açıklamaları.....	218
10	Teknik sınırlar ve koşullar.....	218
11	Montaj.....	218
12	Kablo bağlantı şemaları.....	222
13	Atık İmhası.....	223
14	Teknik Bilgiler.....	223

1 Önemli notlar

Bu ürünü doğru monte ettiğinizden ve ürünün daima kullanıma hazır olduğundan emin olmak için, lütfen tüm talimatları ve bu ürün kılavuzunda verilen kılavuzları ve uyarıları dikkatlice okuyunuz. Bu talimatlar bu ürün ile birlikte SAKLANMALIDIR.

Bu ürünü kullandığınızda tüm talimatları, kılavuzları ve uyarıları dikkatlice okuduğunuzu ve anladığınızı ve hükümlere ve koşullara bu sözleşmede yer alıyormuş gibi uyacağınızı onay verirsiniz. Bu ürünü sadece amacına ve uygulamaya uygun ve talimatlara, kılavuzlara ve uyarılara uygun bu ürün kılavuzu ile geçerli yasalara ve yönetmeliklere uygun olarak kullanacağınızı kabul ediyorsunuz. Talimatların ve uyarıların burada verildiği gibi okunmaması veya bunlara uyulmaması sonucu kendiniz ve diğer insanlar yaralanabilir veya ürününüz veya yakınında bulunan diğer mallar hasar görebilir. Talimatlar, kılavuzlar ve uyarılar da dahil, bu ürün kılavuzu ve buna ait olan dokümanlarda değişiklikler ve güncellemeler yapılabilir. Güncel ürün bilgileri için lütfen documents.dometic.com adresini ziyaret edin.

2 Sembollerin açıklanması



TEHLİKE!

Önlenmediğinde, can kaybı veya ağır bir yaralanmaya neden olan tehlikeli bir durumu gösterir.



UYARI!

Önlenmediğinde, can kaybı veya ağır bir yaralanmaya neden olabilecek tehlikeli bir durumu gösterir.



DİKKAT!

Önlenmediğinde, hafif veya orta derecede bir yaralanmaya neden olabilecek tehlikeli bir durumu gösterir.



İKAZ!

Önlenmediğinde, maddi hasara neden olabilecek bir durumu gösterir.



NOT Ürünün kullanılması ile ilgili ek bilgiler.

3 Hedef gruplar



Elektrik bağlantısı, elektrikli ekipman ve tesisatların yapımı ve işletimi ile ilgili beceri ve bilgi sahibi olan, ilgili tehlikeleri belirlemek ve önlemek için güvenlik eğitimi almış kalifiye bir elektrikçi tarafından bağlanmalıdır.



Mekanik montaj, ekipmanın yapısı, çalıştırılması ve içerdiği tehlikeler hakkında bilgi sahibi olan kalifiye personel tarafından yapılmalıdır.

4 Güvenlik uyarıları



UYARI! Bu uyarılara uyulmaması can kaybı veya ağır yaralanmaya sebep olabilir.

- Cihazın onarımı, yalnızca ilgili riskleri ve düzenlemeleri bilen kalifiye personel tarafından gerçekleştirilmelidir. Yanlış onarımlar ciddi tehlikelere neden olabilir. Onarım hizmeti ile ilgili olarak lütfen ülkedeki servis merkeziyle iletişime geçin (bkz. dometic.com/dealer).
- Cihaz, ulusal elektrik ve mekanik montaj yönetmeliklerine uygun olarak monte edilmiştir.
- **Elektronik aletler çocuk oyuncuğu değildir!** Elektrikli cihazları çocukların veya sıhhati yerinde olmayan kişilerin erişmeyeceği bir yerde saklayın. Elektrikli cihazları gözetimsiz olarak kullanmalarına izin vermeyin.
- Fiziksel, duyuşal veya zihinsel becerileri veya deneyimsizlikleri ya da bilgi eksikliklerinden dolayı bu cihazı güvenli olarak kullanabilecek durumda olmayanlar bu cihazı sadece sorumlu bir kişinin gözetimi altında kullanmalıdır.
- Yangın durumunda cihazın üst kapağını **açmayın**. Onaylanmış yangın söndürücüler kullanın. Söndürmek için su kullanmayın.
- Cihaz, sürekli çalışan açık alevlerin (örneğin çalışan gazlı bir cihaz) ve ateşleme kaynaklarının (örneğin çalışan bir elektrikli ısıtıcı) olmadığı bir odada saklanmalıdır.
- Cihaz yatay olarak kuru, havalandırılan ve üstü kapalı bir yerde saklanmalıdır.
- Cihazı delmeyin veya yakmayın.
- Soğutucu akışkanların kokusuz olabileceğini dikkate alın.
- Tavan kliması, 4 m² taban alanından büyük bir taban alanına sahip araca monte edilmiştir.



DİKKAT! Bu ikazlara uyulmaması hafif veya orta derecede yaralanmaya sebep olabilir.

- Cihazı sadece muhafazanın ve kabloların hasar görmediğinden eminseniz çalıştırın.
- Cihazı yanıcı sıvıların yakınında veya kapalı odalarda kullanmayın.
- Hava çıkışının yakınına hiçbir yanıcı maddenin konmadığından veya depolanmadığından emin olun. En az 50 cm mesafe bırakılmalıdır.
- Hava çıkışlarına elinizi veya cihazın içine herhangi bir yabancı cisim sokmayın.
- Daima koruyucu gözlük ve eldiven kullanın.



İKAZ! Hasar tehlikesi

- Cihaz, 1020 mbar en ideal şekilde fonksiyonlarını yerine getirir.
- Cihaz, mekanik hasar önlenecek şekilde saklanmalıdır.
- Montajdan önce, cihazın montajından dolayı herhangi bir araç bileşeninin (lamba, dolap, kapı gibi) zarar görüp görmeyeceğini kontrol edin. Araç üreticisi, yapıyı zayıflatmadan veya güç kablolarının kesilme riski olmaksızın, cihazın montajı için gerekli açıklığın oluşturulabileceği yerleri zaten belirlemiş olabilir.
- Montajdan önce, araç konstrüksiyonunun araç hareket halindeyken klimanın statik ağırlığına ve yüküne uygun olup olmadığını araç üreticisinden öğrenin.
- Tavan çerçevesinin tavana uygun şekilde yalıtıldığından emin olun.
- Montaj için, araç tavanının ortasında iki uzunlamasına profil arasında düz ve yeterli bir yüzey seçin.
- Montajın yapılacağı tavan yüzeyinin eğimi 10 °'yi geçmemelidir.
- Araç içinde hava dağıtım kutusunun takılmasını veya soğutulan havanın döner hava dağıtım menfezlerinden akmasını engelleyebilecek herhangi bir nesne bulunmadığından emin olun.
- Cihazda herhangi bir değişiklik veya dönüştürme yapmayın.
- Cihaz takılıyken asla otomatik araç yıkama sistemlerini kullanmayın.
- Soğutucu akışkan devresinde arızalar meydana gelirse, sistem uzman bir firma tarafından kontrol edilmeli ve uygun şekilde onarılmalıdır.
- Soğutucu akışkan havaya salınmamalıdır.
- Araca tavan kliması takılması halinde, aracın ruhsat belgelerindeki araç yüksekliği kaydının değiştirilmesi gerekip gerekmediğini araç üreticisine sorun.

5 Teslimat kapsamı

📄 **şekil 1** sayfa 3 📄 **şekil 2** sayfa 3

şekil 1 içindeki numara, şekil 2	Miktar	Adı
1	1	Tavan üst ünitesi
2	1	Tavan çerçevesi
3	1	Hava dağıtım kutusu (ADB)
4	1	ADB merkez kapak
5	4	Kanal parçaları
6	3	Kablo konnektörleri
7	4	Sabitleme civataları
8	1	Kutu kapağı
9	1	Sadece bazı modeller: Uzaktan kumanda

6 Aksesuar

Aksesuar olarak temin edilebilir (teslimat kapsamına dahil değildir):

Adı	Parça no.
Uzatma kanal parçaları (her parça ek 10 mm uzunluğu kapsar)	4450017931
Daha uzun sabitleme civataları M6 x 160 mm (60 ... 120 mm aralığındaki tavan kalınlıkları için)	4450012023
Hava temizleyici	4450029486
Elektrikli ısıtıcı	4450029487
ADB ortam ışığı	4450029488
FreshJet FJX4233M için filtreler	4450024007 4450024008
FreshJet FJX4233EEH/FJX4333E(EH)/FJX7333IHP/FJX7337IHP/FJX7457IHP için filtreler	4450025683

7 Amacına Uygun Kullanım

Tavan kliması, ısıtma ve soğutma sağlamak için bir karavanın veya eğlence ve dinlenme aracının tavanına monte edilerek üzere tasarlanmıştır.

Tavan kliması trenler, evler ve daireler için uygun **değildir**. Tavan kliması inşaat ve tarım makineleri veya benzeri ekipmanlara monte edilmeye uygun **değildir**.

Bu ürün sadece amacına uygun ve bu talimata göre kullanılmalıdır.

Bu kılavuzda ürünün doğru olarak monte edilmesi ve/veya kullanılması için gerekli bilgiler verilmektedir. Doğru yapılmayan montaj veya bakım performansının yetersiz olmasına ve olası bozukluklara neden olabilir.

Üretici, aşağıdaki durumların neden olduğu yaralanmalardan veya ürün hasarlarından sorumlu değildir:

- Aşırı voltaj da dahil olmak üzere hatalı kurulum, montaj veya bağlantı
- Yanlış bakım veya üretici tarafından sağlanan orijinal yedek parçalardan başka yedek parçalar kullanılması
- Üreticisinden açıkça izin almadan cihazda değişiklikler yapılması
- Bu kılavuzda tanımlananların dışında bir amaçlar için kullanıldığında

Dometic ürünün görünümünde ve ürün özelliklerinde değişiklik yapma hakkını saklı tutar.

8 Model listesi

Modeller, mekanik, sabit hızlı ve invertör modelleri olarak ayrılır.

Aşağıdaki tablo, belirli bir model için hangi fonksiyonun geçerli olduğunu gösterir:

- Özellik mevcut
- Özellik güncellenebilir

	FJX4233M	FJX4233E-EH	FJX4333E-EH	FJX4333E	FJX7333IHP	FJX7337IHP	FJX7457IHP
	Mekanik	Sabit hızlı			İnvertör		
Otomatik		●	●	●	●	●	●
Soğutma	●	●	●	●	●	●	●
Isıtma		●	●	○	●	●	●
Havalandırma	●	●	●	●	●	●	●
Nem alma		●	●	●	●	●	●
Hava temizleyici	○	●	●	○	●	●	●
ADB ışık		●	●	○	●	●	●
Harici ışık					●	●	●
Zamanlayıcı		●	●	●	●	●	●
Uyku		●	●	●	●	●	●
Yumuşak başlatma			●	○	●	●	●

9 Cihaz üzerindeki sembollerin açıklamaları



Dikkat! Düşük yanma hızına sahip malzeme.



Kullanım kılavuzunu okuyun.



Servis kılavuzunu okuyun.

10 Teknik sınırlar ve koşullar

Tavan kliması, tavan kalınlığı 25 mm ... 60 mm arasında olan araçlar için tasarlanmıştır. Tavan kliması -2 °C ... 52 °C aralığındaki ortam sıcaklıklarında çalışır. Tavan kliması, yatay düzlemde en fazla ± 10 ° eğim dahilinde monte edilecek şekilde tasarlanmıştır.

11 Montaj



TEHLİKE! Elektrik çarpması tehlikesi

- Karavandaki elektrik bağlantısı, elektrikli ekipman ve tesisatların yapımı ve işletimi ile ilgili beceri ve bilgi sahibi olan, ilgili tehlikeleri belirlemek ve önlemek için güvenlik eğitimi almış kalifiye bir elektrikçi tarafından bağlanmalıdır.

- Tavan kliması üzerinde çalışırken invertörler dahil olmak üzere tüm güç kaynaklarının bağlantısını kesin.
- Montaj veya bakım sırasında cihazın güç kaynağının yeniden bağlanamayacağından emin olun.



UYARI! Elektrik çarpması tehlikesi

- Cihaz, ulusal kablo tesisatı düzenlemelerine uygun olarak monte edilmelidir.
- Aşağıdakiler, kablolu kurallarına uygun olarak sabit kablo tesisatına dahil edilmelidir: Tüm kutuplarda en az 3 mm boşluğa sahip kutup bağlantısı ayırma cihazı; 10 mA değerini aşabilecek kaçak akım varsa 30 mA değerini aşmayan nominal kaçak akımlı bir kaçak akım rölesi (RCD); bir ayırıcı.
- Cihaz, güvenlikle ilgili zorunlu bir havalandırma fonksiyonuna sahip bir pencere veya servis kapağı yerine takıldığında, ek bir güvenlik havalandırma cihazının (örn. bir mantar fan veya benzeri) eklenmesi gerekir. Şüphede durumda araç üreticisine danışın.
- Tavan klimasının montajından sonra tavan klimasının yanında bir egzoz bacasının tavan klimasından en az 10 cm yukarıda olması gerekmektedir. Gerekirse egzoz bacasını uzatın. Isıtma üreticisinin talimatlarına uyun.



DİKKAT! Yaralanmalara karşı dikkatli olun

- Tavan klimasının yanlış montajı, cihazda onarılmaz hasarlara neden olabilir ve kullanıcının güvenliğini riske atabilir.
- Tavan klimasını taşımanıza veya kaldırmaya her zaman birinin yardım etmesini sağlayın.
- Montajdan önce, kurulum alanındaki mevcut kablo demetlerinin, kablo damarlarının ve diğer bileşenlerin ve özellikle cihazın montajı sırasında (delme veya vidalama vb. sırasında) görünmeyenlerin konumunu kontrol edin.
- Kabloları ayak takılmayacak veya hasar görmeyecek şekilde döşeyin ve sabitleyin.
- Daima koruyucu gözlük ve eldiven kullanın.



İKAZ! Hasar tehlikesi

- Cihaz, kapalı bir soğutucu akışkan devresine sahip sızdırmaz bir sistemdir. Uygun niteliklere sahip bir teknisyen olmadığınız sürece açmayın veya üzerinde değişiklik yapmayın.
- Kabloları keskin kenarlı duvarlardan geçirmek için kablo kanalları kullanın.
- Elektriksel olarak iletken malzemelerin (metal) yanına gevşek veya bükülmüş kablolar döşemeyin.
- Kabloları asılarak çekmeyin.
- Kabloların aşınmaya, korozyona, aşırı basınca, titreşime, keskin kenarlara veya diğer olumsuz çevresel etkilere maruz kalıp kalmadığını kontrol edin. Kontrol ayrıca kompresörler veya fanlar gibi kaynaklardan kaynaklanan eskime veya sürekli titreşimin etkilerini de dikkate almalıdır.
- Araç tavanının yapısal sağlamlığını inceleyin. Aracın tavanı, tavan klimasının ağırlığını çökmeden ve deforme olmadan taşıyabilmelidir. Şüphede durumda araç üreticisine danışın.



NOT

- Cihazın teknik özelliklerini Teknik Bilgiler ve aşağıdaki cihaz bilgi etiketlerinde bulabilirsiniz:
- Tavan üst ünite cihaz bilgi etiketi şekil **3**
- ADB cihaz bilgi etiketi şekil **4**



Tavan klimaları hakkında teknik açıklama veya kontroller gibi daha fazla bilgiyi kullanım kılavuzunda bulabilirsiniz, bkz. qr.dometic.com/bdjiN0x.



şekil 3 sayfa 4

1. Tavan klimalarının montaj yöntemini seçin:

- Yeni bir açıklık oluşturmak. Bu durumda açıklık uygun bir çerçeve ile güçlendirilmelidir.
- Tavan kapağı veya eski bir tavan klimalarının değiştirilmesi gibi araçta mevcut bir açıklığı kullanmak.
- Aşağıdaki boşlukları bıraktığınızdan emin olun:

Model	Nesne yüksekliği < 60 mm	Nesne yüksekliği > 60 mm			
	Her 4 taraf	Sağ	Sol *	Arka *	Ön taraf
FJX4333EEH	50 mm	150 mm	150 mm	150 mm	150 mm
FJX7333IHP	50 mm	150 mm	150 mm	150 mm	150 mm
FJX7337IHP	50 mm	300 mm	150 mm	150 mm	150 mm
FJX7457IHP	50 mm	300 mm	150 mm	150 mm	150 mm

* Bu bağlamda “sol” ve “sağ”, üniteye aracın ön tarafından bakıldığı düşünülerek belirtilmiştir.

- Aşağıdaki boşlukları bıraktığınızdan emin olun:

* Bu bağlamda “sol” ve “sağ”, üniteye aracın ön tarafından bakıldığı düşünülerek belirtilmiştir.

Yeni bir açıklık oluşturmak

2. Tavanın ortasında, iki uzunlamasına destek arasında bir alan seçin.
3. Açıklığın konumunu ve boyutunu işaretleyin (400 × 400 mm).

şekil 5 sayfa 4

4. Köşeleri delin (A).



İKAZ! Hasar tehlikesi

Hiçbir elektrik güç kablosunun hasar görmediğinden emin olun. Elektrik kablolarının nereden geçtiğini kontrol edin.

şekil 6 sayfa 5

5. Tilki kuyruğu testere ya da benzeri bir alet kullanarak tavandaki açıklığı dikkatlice kesin (B).
6. Tavan açıklığının takviyeye ihtiyacı olup olmadığını kontrol edin.
7. Gerekirse, takviye raylarınızın (teslimat kapsamına dahil değildir) genişliğine göre köpüğü çıkarın (A).

şekil 7 sayfa 5

8. Takviye raylarını monte edin (B).

Mevcut bir açıklığa montaj

9. Mevcut tavan kapağının veya eski klimaların tüm vidalarını ve bağlantı parçalarını çıkarın.

şekil 8 sayfa 5

10. Tavan kapağını veya tavan klimasını çıkarın.
11. Bir spatula veya benzeri bir alet kullanarak açıklığın etrafındaki sızdırmazlık malzemesini çıkarın.

 **şekil 9** sayfa 5

Bağlantı kablolarının döşenmesi

12. Tavan kliması bilgi etiketinde belirtilen voltaj değerinin güç kaynağının voltaj değeri ile aynı olduğunu kontrol edin. Tavan kliması, gerekli akımı sağlayabilen bir elektrik devresine bağlanmalıdır (Teknik Bilgiler).
13. Güç kaynağının kaçak akım rölesine sahip olduğundan emin olun (< 30 mA). Yoksa, kaçak akım rölesi takın.
14. Montaj tarafına kontak açıklığı en az 3 mm olan çok kutuplu bir şalter takın.
15. Mevcut uzunluğa karşılık gelen güç kaynağı kablo kesitini seçin:
 - Uzunluk < 7.5 m: 1,5 mm²
 - Uzunluk > 7.5 m: 2,5 mm²
16. Güç kablosunu geçirmek için bir tarafta bir açıklık açın.

 **şekil 10** sayfa 5

17. Güç kablosunu açıklıktan aracın içine doğru geçirin.

Tavan üst ünitesinin montajı

18. Tavan çerçevesinin alt tarafını esnek, sertleşmeyen bütül sızdırmazlık maddesi (örn. SikaLastomer-710, Selleys Butyl Mastik, Bostik ezycaulk bütül mastik veya benzer ürünler) ile yalıtın. Sızdırmazlık maddesi üreticisinin talimatlarına uyun.

 **şekil 11** sayfa 6

19. Açıklığın boyutuna göre tavan çerçevesini konumlandırın.
20. Tavan çerçevesini tavan açıklığına sabitleyin.

 **şekil 12** sayfa 6

21. Tavan üst ünitesini kaldırın ve aracın tavanına koyun. Sürüş yönüne dikkat edin.
22. Tavan üst ünitesini tavan çerçevesine yerleştirin ve tavan çerçevesinin oluşuna hizalayın. Tavan çerçevesinin oluğuna hizalamak için tavan çerçevesinin önündeki köşeleri kullanın.

Elektrik bağlantısı

23. Güç kablosunu bağlayın.

 **şekil 13** sayfa 7

- a) Kabloları **(1)** kablo konnektörüne **(2)** bağlayın.
- b) Tavan klimasını güç kaynağına bağlayın.
- c) Topraklama kablosunu aracın topraklama sistemine bağlayın.
24. **Yalnızca mekanik modellerde:** Kabloyu dış ünite ile hava kutusu difüzörü arasına bağlayın.
 - a) Haberleşme kablosu **(3)** için bir boşluk oluşturmak üzere filtreyi hafifçe dışarı çekin.
 - b) Kabloyu boşluktan geçirin ve kabloyu açıklığın içine yerleştirin.
 - c) 6 pinli haberleşme fişini ADB'deki ekranın yan tarafındaki sokete takın. Kablonun filtre alanından uzaktaki küçük açıklığa yerleştirildiğinden emin olun.
 - d) Fazla kabloyu tutuculara sabitleyin.
25. **Yalnızca sabit hızlı ve invertör modellerinde:** Haberleşme kablosunu bağlayın.
 - a) Haberleşme kablosu **(4)** için bir boşluk oluşturmak üzere filtreyi hafifçe dışarı çekin.
 - b) Haberleşme kablosunu boşluktan geçirin ve kabloyu açıklığın içine yerleştirin.
 - c) 4 pinli haberleşme fişini ADB'deki ekranın yan tarafındaki sokete takın. Kablonun filtre alanından uzaktaki küçük açıklığa yerleştirildiğinden emin olun.

d) Fazla kabloyu tutuculara sabitleyin.

ADB montajı

26. Kanal parçalarını tavan kalınlığına göre üst üste koyun ve yerleştirin: Kanal parçalarının yüksekliğinin tavan yüksekliğine uygun olduğundan emin olun veya tabloyu kılavuz olarak kullanın.

 **şekil 14 sayfa 8**

Tavan kalınlığı	Kanal parçası sayısı
25 ... 35 mm	1
35 ... 45 mm	2
45 ... 55 mm	3
55 ... 60 mm	4



NOT Daha kalın çatılar için ek kanal parçaları satın alınabilir.

27. ADB için gerekli sayıda kanal parçası takın.

28. ADB'yi sağlanan 4 civata ile tavan üst ünitesinden tavana sabitleyin. Vidaları bir tork anahtarı kullanarak $2.5 \text{ Nm} \pm 0.3 \text{ Nm}$ sıkma torkuyla sıkın.

 **şekil 15 sayfa 9**

29. Filtreyi ittirerek yerine oturtun.

 **şekil 16 sayfa 9**

30. Merkez kapağı ADB'ye klipsleri kullanarak sabitleyin.

 **şekil 17 sayfa 10**

31. Klima montajından sonra teknik bir inceleme gerekip gerekmediğini ve araç belgelerinde yazılı araç yüksekliğinin değiştirilmesinin gerekip gerekmediğini araç üreticisine sorun:

- FreshJet FJX4233, FreshJet FJX4333, FreshJet FJX7333: Yükseklik artışı 225 mm
- FreshJet FJX7337: Yükseklik artışı 242 mm
- FreshJet FJX7457: Yükseklik artışı 283 mm

✓ Montaj artık tamamlandı.

Güç kaynağına bağlayın ve tavan klimasının çalışıp çalışmadığını test edin.

12 Kablo bağlantı şemaları

FJX4233M

 **şekil 18 sayfa 10**

FJX4233E, FJX4333E(EH), FJX7333IHP

 **şekil 19 sayfa 11**

FJX7333IHP

 **şekil 20 sayfa 11**

FJX7337IHP, FJX7457IHP **şekil 21** sayfa 12**ADB** **şekil 22** sayfa 12

13 Atık İmhası



Ambalaj malzemesini mümkün olduğu durumlarda uygun geri dönüşüm atık kutularına koyun. Ürünün yürürlükteki imha yönetmeliklerine göre nasıl imha edileceğine ilişkin ayrıntılar için yerel bir geri dönüşüm merkezine veya uzman satıcıya danışın.



Çevrenizi koruyunuz! Aküler ve piller evsel atıklara dahil değildir. Bozuk akülerinizi veya bitmiş pilleri satın aldığınız yere veya bir toplama yerine veriniz.

14 Teknik Bilgiler

 **şekil 23** sayfa 13  **şekil 24** sayfa 13  **şekil 25** sayfa 13  **şekil 26** sayfa 14

Florlu sera gazları içerir. Hermetik sızdırmaz ekipman.

Dometic işbu belge ile, bu telsiz ekipmanı cihazının 2014/53/AB direktifine uygun olduğunu beyan eder. AB Uygunluk Beyanı'nın tam metnini bulabileceğiniz internet adresi: <http://documents.dometic.com>.

	FreshJet FJX4233M
ISO 5151'e göre soğutma kapasitesi:	1500 W
AC giriş gerilimi:	220 V ... 240 V / 50 Hz
Soğutma anma akımı:	3,1 A
Gerekli sigorta:	Min. 4 A, max. 16 A
İşletme sıcaklığı aralığı:	-2 °C ... 52 °C
Soğutucu madde:	R410a
Soğutucu miktarı:	380 g
CO ₂ karşılığı:	0,793 t
Sera potansiyeli (GWP):	2088
Koruma sınıfı (tavan üst ünitesi):	IPX4
Gürültü seviyesi (en yüksek fan ayarı)	< 70 dB(A)
Frekans	2,4 GHz
Maksimum telsiz frekansı gücü	19,14 dBm
Önerilen maks. araç uzunluğu (yalıtımlı duvarlarla):	≤ 5 m

FreshJet FJX4233M			
Boyutlar U x G x Y:	şekil 23		
Ağırlık:	< 30 kg		
Muayene/sertifika:	CE UK		
	FreshJet FJX4233EEH	FreshJet FJX4333EEH	FreshJet FJX4333E
ISO 5151'e göre soğutma kapasitesi:	1700 W	2200 W	2200 W
ISO 5151'e göre ısıtma kapasitesi:	800 W	1000 W	-
AC giriş gerilimi:	220 V ... 240 V / 50 Hz		
Nominal soğutma akımı:	3,4 A	4,6 A	4,6 A
Nominal ısıtma akımı:	3,7 A	4,4 A	-
Gerekli sigorta:	Min. 4 A, max. 16 A	Min. 5 A, max. 16 A	Min. 5 A, max. 16 A
İşletme sıcaklığı aralığı:	-2 °C ... 52 °C		
Soğutucu madde:	R32		
Soğutucu miktarı:	320 g	360 g	360 g
CO ₂ karşılığı:	0,216 t	0,243 t	0,243 t
Sera potansiyeli (GWP):	675		
Koruma sınıfı (tavan üst ünitesi):	IPX4		
Gürültü seviyesi (en yüksek fan ayarı)	< 70 dB(A)		
Frekans	2,4 GHz		
Maksimum telsiz frekansı gücü	19,14 dBm		
Önerilen maks. araç uzunluğu (yalıtımlı duvarlarla):	≤ 6 m	≤ 7 m	≤ 7 m
Boyutlar U x G x Y:	şekil 24		
Ağırlık:	< 30 kg	< 30 kg	< 30 kg
Muayene/sertifika:	CE UK		
	FreshJet FJX7333IHP	FreshJet FJX7337IHP	FreshJet FJX7457IHP
ISO 5151'e göre soğutma kapasitesi:	2200 W	3000 W	3500 W
ISO 5151'e göre ısıtma kapasitesi:	2000 W	2500 W	3000 W
AC giriş gerilimi:	220 V ... 240 V / 50 Hz ... 60 Hz		
Soğutma anma akımı:	< 5,9 A	< 7,3 A	< 7,5 A
Isıtma anma akımı:	< 3,7 A	< 5,9 A	< 6,5 A
Gerekli sigorta:	Min. 6 A, max. 16 A	Min. 8 A, max. 16 A	Min. 8 A, max. 16 A
İşletme sıcaklığı aralığı:	-2 °C ... 52 °C		

	FreshJet FJX7333IHP	FreshJet FJX7337IHP	FreshJet FJX7457IHP
Soğutucu madde:		R32	
Soğutucu miktarı:	400 g	480 g	650 g
CO ₂ karşılığı:	0,270 t	0,324 t	0,439 t
Sera potansiyeli (GWP):		675	
Koruma sınıfı (tavan üst ünitesi):		IPX4	
Gürültü seviyesi (en yüksek fan ayarı)		< 70 dB(A)	
Frekans		2,4 GHz	
Maksimum telsiz frekansı gücü		19,14 dBm	
Önerilen maks. araç uzunluğu (yalıtlı duvarlarla):	≤ 7 m	≤ 7 m	> 8 m
Boyutlar U x G x Y:	şekil 24	şekil 25	şekil 26
Ağırlık:	< 30 kg	< 35 kg	< 40 kg
Muayene/sertifika:		CE UK	

Slovenščina

1	Pomembna obvestila.....	226
2	Razlaga simbolov.....	226
3	Ciljne skupine.....	227
4	Varnostni napotki.....	227
5	Obseg dobave.....	228
6	Pribor.....	228
7	Predvidena uporaba.....	229
8	Seznam modelov.....	229
9	Razlaga simbolov na napravi.....	230
10	Tehnične omejitve in pogoji.....	230
11	Namestitev.....	230
12	Vezalni načrti.....	234
13	Odstranjevanje.....	235
14	Tehnični podatki.....	235

1 Pomembna obvestila

Pozorno preberite in upoštevajte vsa navodila, smernice in opozorila iz tega priročnika, da zagotovite pravilno vgradnjo, uporabo in vzdrževanje izdelka. Ta navodila MORATE hraniti skupaj z izdelkom.

Z uporabo izdelka potrjujete, da ste pozorno prebrali vsa navodila, smernice in opozorila ter razumete in upoštevate vsa določila ter pogoje v tem dokumentu. Štrinjate se, da boste izdelek uporabljali samo za predvideni namen uporabe in v skladu z navodili, smernicami in opozorili v tem priročniku ter v skladu z vsemi veljavnimi zakoni in predpisi. Če navodil in opozoril v nadaljevanju ne preberete in ne upoštevate, boste morda poškodovali izdelek ali povzročili materialno škodo v bližini. Prizadjemo si pravico do sprememb in posodobitev priročnika, vključno z navodili, smernicami in opozorili ter povezano dokumentacijo. Za najnovejše informacije o izdelku obiščite documents.dometic.com.

2 Razlaga simbolov



NEVARNOST!

Označuje nevarno situacijo, ki povzroči smrt ali hude poškodbe, če ni preprečena.



OPOZORILO!

Označuje nevarno situacijo, ki lahko povzroči smrt ali hude poškodbe, če ni preprečena.



POZOR!

Označuje nevarno situacijo, ki lahko povzroči lažje ali zmerne poškodbe, če ni preprečena.



OBVESTILO!

Označuje nevarno situacijo, ki lahko povzroči materialno škodo, če ni preprečena.



NASVET Dodatne informacije za upravljanje izdelka.

3 Ciljne skupine



Električno napajanje mora priključiti usposobljeni električar, ki je dokazal spretnosti in znanje glede sestave in delovanja električne opreme in inštalacij ter je opravil varnostno usposabljanje za prepoznavanje in preprečevanje nevarnosti.



Mehansko namestitev mora izvesti usposobljena oseba, ki je seznanjena z zgradbo in delovanjem opreme ter povezanimi tveganji.

4 Varnostni napotki



OPOZORILO! Neupoštevanje teh opozoril lahko povzroči smrt ali hude poškodbe.

- Popravila naprave smejo izvajati samo strokovnjaki, ki poznajo morebitne nevarnosti in veljavne predpise. Neustrezna popravila lahko povzročijo resne nevarnosti. Če je potrebno popravilo, se obrnite na servisni center v vaši državi (glejte dometic.com/dealer).
- Napravo je treba montirati v skladu z nacionalnimi predpisi za električno in mehansko namestitev.
- **Električne naprave niso igrače.** Električne naprave hranite izven dosega otrok in slabotnih oseb. Električnih naprav ne smejo uporabljati brez nadzora.
- Osebe, ki zaradi svojih psihičnih, zaznavnih ali duševnih sposobnosti ali svoje neizkušenosti in neznanja niso v stanju, da bi varno uporabljale napravo, je brez nadzora ali navodil druge odgovorne osebe ne smejo uporabljati.
- V primeru požara **ne** odpirajte zgornjega pokrova naprave. Uporabite odobrena gasiva. Za gašenje ne uporabite vode.
- Napravo je treba shraniti v prostoru brez stalno delujočega odprtega ognja (na primer delujoče plinske naprave) ali virov vžiga (na primer delujočega električnega grelnika).
- Napravo je treba shraniti v vodoravnem položaju na suhem, prezračenem in pokritem mestu.
- Naprave ne prebadajte in ne sežigajte.
- Ne pozabite, da hladilna sredstva morda nimajo vonja.
- Strešno klimatsko napravo je treba namestiti v vozilo s površino več kot 4 m².



POZOR! Neupoštevanje teh svaril lahko povzroči lažje ali srednje poškodbe.

- Napravo uporabljajte samo, če ste prepričani, da ohišje in kablji niso poškodovani.
- Naprave ne uporabljajte v bližini vnetljivih tekočin ali v zaprtih prostorih.
- Zagotovite, da v bližini izpusta zraka ni shranjenih ali montiranih vnetljivih predmetov. Razmik mora biti vsaj 50 cm.
- Ne segajte v izpuste zraka in v napravo ne vstavljajte tujih predmetov.
- Vedno nosite zaščitna očala in rokavice.



OBVESTILO! Nevarnost poškodb

- Naprava deluje optimalno pri 1020 mbar.

- Napravo je treba shraniti tako, da ne more priti do mehanskih poškodb.
- Pred namestitvijo naprave preverite, ali se zaradi montaže naprave lahko poškodujejo kateri deli vozila (na primer luči, omarice, vrata). Proizvajalec vozila je morda že zagotovil mesta, kjer je mogoče izdelati odprtine za montažo naprave, ne da bi pri tem oslabili konstrukcijo ali prerezali napajalne kable.
- Pred vgradnjo se posvetujte s proizvajalcem vozila, če je konstrukcija dimenzionirana za statično težo in obremenitve, ki nastanejo zaradi strešne klimatske naprave med premikanjem vozila.
- Prepričajte se, da je strešni okvir ustrezno zatesnjen ob streho.
- Za montažo izberite ravno, dovolj položno površino na sredini strehe vozila med dvema vzdolžnima profiloma.
- Naklon strehe na delu za montažo ne sme biti več kot 10 °.
- Prepričajte se, da v notranjosti vozila ni ovir, ki bi lahko ovirale pritrditev ohišja razdelilnika zraka ali pretok ohlajenega zraka skozi premične šobe za distribucijo zraka.
- Naprave ne spreminjajte in ne predelujte.
- Ko je naprava nameščena, se ne smete peljati skozi avtomatske avtopralnice.
- Če se pojavijo okvare v krogotoku hladilnega sredstva, mora sistem preveriti specializirano podjetje in ga ustrezno popraviti.
- Hladilnega sredstva ni dovoljeno izpustiti v zrak.
- Pozanimajte se pri proizvajalcu vozila, ali je zaradi vgradnje strešne klimatske naprave treba v dokumentih vozila spremeniti višino vozila.

5 Obseg dobave

 sl. 1 na strani 3  sl. 2 na strani 3

Št. na sl. 1, sl. 2	Količina	Opis
1	1	Strešna enota
2	1	Strešni okvir
3	1	Ohišje razdelilnika zraka (ang. Air distribution box (ADB))
4	1	Sredinski pokrov ADB
5	4	Odseki kanalov
6	3	Kabelski spojniki
7	4	Pritrdilni vijaki
8	1	Pokrov ohišja
9	1	Samo nekateri modeli: Daljinski upravljalnik

6 Pribor

Na voljo kot dodatna oprema (ni vključeno v dobavo):

Opis	Št. izdelka
Podaljševalni odseki kanalov (vsak odsek pokriva dodatnih 10 mm)	4450017931

Opis	Št. izdelka
Daljši pritrdilni vijaki M6 x 160 mm (za debeline strehe 60 ... 120 mm)	4450012023
Čiščenje zraka	4450029486
Električni grelnik	4450029487
Ambientalna osvetlitev ADB	4450029488
Filtri za FreshJet FJX4233M	4450024007 4450024008
Filtri za FreshJet FJX4233EEH/FJX4333E(EH)/FJX7333IHP/FJX7337IHP/FJX7457IHP	4450025683

7 Predvidena uporaba

Strešna klimatska naprava je zasnovana samo za montažo na streho počitniške prikolice ali vozila za prosti čas za ogrevanje in hlajenje.

Strešna klimatska naprava **ni** primerna za vlake, hiše in apartmaje. Strešna klimatska naprava **ni** primerna za montažo v gradbene stroje, kmetijske stroje ali podobno opremo.

Ta izdelek je primeren samo za predvideni namen in uporabo v skladu s temi navodili.

V tem priročniku so navedene informacije, ki jih je treba upoštevati za pravilno vgradnjo in/ali delovanje izdelka. Aparat zaradi slabe vgradnje in/ali nepravilne uporabe oziroma vzdrževanja ne bo dobro deloval in se lahko pokvari.

Proizvajalec ne sprejema nobene odgovornosti za telesne poškodbe ali poškodbe izdelka, do katerih pride zaradi:

- napačne namestitve, sestave ali priklopa, vključno s previsoko napetostjo;
- neustreznih vzdrževalnih del ali uporabe neoriginalnih nadomestnih delov, ki jih ni dobavil proizvajalec;
- sprememb izdelka brez izrecnega dovoljenja proizvajalca;
- uporabe za namene, ki niso opisani v navodilih.

Družba Dometic si pridržuje pravico do spremembe videza in specifikacij izdelka.

8 Seznam modelov

Pri modelih se razlikuje med mehanskimi modeli, modeli s fiksno hitrostjo in modeli s pretvornikom.

Tabela v nadaljevanju prikazuje, katera funkcija je na voljo za specifični model:

● Funkcija je na voljo

○ Funkcijo je mogoče nadgraditi

	FJX4233M	FJX4233E- EH	FJX4333E- EH	FJX4333E	FJX7333IHP	FJX7337IHP	FJX7457IHP
	Mehanska	Fiksna hitrost			Pretvornik		
Samodejno		●	●	●	●	●	●

	FJX4233M	FJX4233E-EH	FJX4333E-EH	FJX4333E	FJX7333IHP	FJX7337IHP	FJX7457IHP
	Mehanska	Fiksna hitrost			Pretvornik		
Hlajenje	●	●	●	●	●	●	●
Gretje		●	●	○	●	●	●
Prezračevanje	●	●	●	●	●	●	●
Razvlaževanje		●	●	●	●	●	●
Čiščenje zraka	○	●	●	○	●	●	●
ADB-luč		●	●	○	●	●	●
Zunanja ambientalna osvetlitev					●	●	●
Časovnik		●	●	●	●	●	●
Spanje		●	●	●	●	●	●
Mehki zagon			●	○	●	●	●

9 Razlaga simbolov na napravi


A2L

Opozorilo! Material z nizko hitrostjo gorenja.



Preberite navodila za uporabo.



Preberite navodila za servisiranje.

10 Tehnične omejitve in pogoji

Strešna klimatska naprava je predvidena za vozila z debelino strehe 25 mm ... 60 mm. Strešna klimatska naprava deluje pri temperaturah okolice med -2 °C ... 52 °C. Strešna klimatska naprava je zasnovana za namestitvev znotraj ± 10 ° od vodoravne ravnine.

11 Namestitev



NEVARNOST! Nevarnost električnega udara

- Električno napajanje v vozilu za prosti čas mora priključiti usposobljeni električar, ki je dokazal spretnosti in znanje glede sestave in delovanja električne opreme in inštalacij ter je opravil varnostno usposabljanje za prepoznavanje in preprečevanje nevarnosti.

- Pred delom na strešni klimatski napravi odklopite napajanje, tudi pretvornike.
- Prepričajte se, da napajanja naprave ni mogoče znova priključiti med namestitvijo ali vzdrževanjem.



OPOZORILO! Nevarnost električnega udara

- Napravo je treba montirati v skladu z nacionalnimi predpisi.
- V fiksno ožičenje je treba v skladu s pravili o ožičenju vgraditi naslednje elemente: Vsepolna odklopna naprava, ki ima na vseh polih odmik vsaj 3 mm; če uhajavi tok lahko presega 10 mA, napravo na rezidualni tok (RCD) z nazivnim preostalim delovnim tokom 30 mA; prekinitev.
- Če naprava nadomešča okno ali lino z varnostno pomembno funkcijo prisilnega odzračevanja, je treba dodati dodatno varnostno prezračevalno napravo (npr. gobasti ventilator ali podobno napravo). V primeru dvoma se posvetujte s proizvajalcem vozila.
- Po namestitvi strešne klimatske naprave se mora izpušni dimnik v bližini strešne klimatske naprave dvigati najmanj 10 cm nad njo. Po potrebi podaljšajte izpušni dimnik. Upoštevajte napotke proizvajalca ogrevalne naprave.



POZOR! Nevarnost poškodb

- Napačna namestitvev strešne klimatske naprave lahko povzroči nepopravljivo škodo na napravi in vpliva na varnost uporabnika.
- Pri prenašanju ali dviganju strešne klimatske naprave vam naj vedno nekdo pomaga.
- Pred namestitvijo (pred vrtnjem ali privijanjem itd.) preverite položaj obstoječih kabelskih snopov, žic in drugih sestavnih delov znotraj območja namestitve, predvsem takšnih, ki niso vidni.
- Kable pritrdite in položite tako, da ne predstavljajo nevarnosti spotikanja in se ne morejo poškodovati.
- Vedno nosite zaščitna očala in rokavice.



OBVESTILO! Nevarnost poškodb

- Naprava je zatesnjen sistem z zaprtim krogotokom hladilnega sredstva. Ne odpirajte in ne spreminjajte ga, razen če ste ustrezno usposobljen tehnik.
- Pri speljevanju kablov skozi stene z ostrimi robovi uporabite kabelske kanale.
- Nezaščitenih ali upognjenih kablov ne speljite ob električno prevodnih materialih (kovini).
- Kablov ne vlecite.
- Kabli ne smejo biti izpostavljeni obrabi, koroziji, prekomernemu tlaku, vibracijam, ostrim robovom ali drugim škodljivim vplivom iz okolja. Preverjanje mora upoštevati tudi učinke staranja ali stalnih vibracij iz virov, kot so kompresorji ali ventilatorji.
- Upoštevajte statiko strehe vozila. Streha vozila mora prenesti težo strešne klimatske naprave, ne da bi se udrla ali preoblikovala. V primeru dvoma se posvetujte s proizvajalcem vozila.



NASVET

- Specifikacije naprave so navedene v poglavju Tehnični podatki in naslednjih podatkovnih ploščicah:
- Podatkovna ploščica na strešni enoti sl. **3**
- Podatkovna ploščica na ADB sl. **4**



Dodatne informacije o strešni klimatski napravi, kot na primer tehnični opis upravljalnih elementov, so navedene v navodilih za uporabo, glejte qr.dometic.com/bdjin0x.



sl. 3 na strani 4 sl. 4 na strani 4

- Izberite način montaže strešne klimatske naprave:
 - Izdelajte novo odprtino. V tem primeru je treba odprtino ojačati s primernim okvirjem.
 - Uporabite obstoječo odprtino v vozilu, na primer za strešno lino ali zamenjajte staro strešno klimatsko napravo.
 - Zagotovite odmike, ki so navedeni v nadaljevanju:

Model	Višina predmeta < 60 mm	Višina predmeta > 60 mm			
	Vse 4 strani	Desno	Levo *	Zadaj *	Spredaj
FJX4333EEH	50 mm	150 mm	150 mm	150 mm	150 mm
FJX7333IHP	50 mm	150 mm	150 mm	150 mm	150 mm
FJX7337IHP	50 mm	300 mm	150 mm	150 mm	150 mm
FJX7457IHP	50 mm	300 mm	150 mm	150 mm	150 mm

* V teh navodilih »levo« in »desno« pomeni stran, ko na napravo gledate s sprednje strani vozila.

- Zagotovite odmike, ki so navedeni v nadaljevanju:

* V teh navodilih »levo« in »desno« pomeni stran, ko na napravo gledate s sprednje strani vozila.

Izdelava nove odprtine

- Izberite površino na sredini strehe med dvema vzdolžnima profiloma.
- Označite položaj in velikost odprtine (400 × 400 mm).

sl. 5 na strani 4

- Izvrtaite vogale (A).



OBVESTILO! Nevarnost poškodb

Pazite, da ne boste poškodovali električnih kablov. Preverite, kje so speljani električni kabli.

sl. 6 na strani 5

- Previdno izrežite odprtino v strehi z vbodno žago ali podobnim orodjem (B).
- Preverite, ali je treba strešno odprtino ojačati.
- Če je potrebno, odstranite peno v skladu s širino ojačitvenih letev (niso del obsega dobave) (A).

sl. 7 na strani 5

- Namestite ojačitvene letve (B).

Namestitev v obstoječo odprtino

- Odstranite vse vijake in pritrditve obstoječe strešne lino ali klimatske naprave.

sl. 8 na strani 5

10. Odstranite strešno lino ali strešno klimatsko napravo.
11. Odstranite tesnilo okoli odprtine s pomočjo strgala ali podobnega orodja.

 **sl. 9 na strani 5**

Polaganje priključnih kablov

12. Preverite, ali se podatki o napetosti na podatkovni ploščici strešne klimatske naprave ujemajo s podatki na napajanju. Strešna klimatska naprava mora biti priključena na električno omrežje, ki je primerno za dobavljanje potrebnega električnega toka (Tehnični podatki).
13. Zagotovite, da je napajanje zavarovano z zaščitnim stikalom na diferenčni tok (< 30 mA). Če to ni nameščeno, namestite zaščitno stikalo na diferenčni tok.
14. Na strani za namestitev namestite vsepolno stikalo z minimalno razdaljo 3 mm med posameznimi kontakti.
15. Izberite presek napajalnega kabla glede na dolžino:
 - Dolžina < 7.5 m: 1,5 mm²
 - Dolžina > 7.5 m: 2,5 mm²
16. Na eni strani izdelajte odprtino, skozi katero boste speljali napajalni kabel.

 **sl. 10 na strani 5**

17. Speljite napajalni kabel skozi odprtino v notranjost vozila.

Namestitev strešne enote

18. Spodnji rob okoli strešnega okvirja zatesnite s fleksibilno butilno tesnilno maso, ki se ne strdi (npr. SikaLastomer-710, Selleys Butyl Mastic, Bostik Ezycaulk butilno tesnilno maso ali podobnim izdelkom). Upoštevajte napotke proizvajalca tesnilnega sredstva.

 **sl. 11 na strani 6**

19. Usmerite strešni okvir glede na velikost odprtine.
20. Strešni okvir vstavite v strešno odprtino.

 **sl. 12 na strani 6**

21. Strešno enoto dvignite na streho vozila. Upoštevajte smer vožnje.
22. Strešno enoto namestite v strešni okvir in jo poravnajte v utoru na strešnem okvirju. Za poravnavo v utoru na strešnem okvirju uporabite vogale na sprednjem delu strešnega okvirja.

Električna priključitev

23. Priključite napajalni kabel.

 **sl. 13 na strani 7**

- a) Kabla **(1)** priključite na kabelski spojnik **(2)**.
 - b) Strešno klimatsko napravo priključite na napajanje.
 - c) Priključite ozemljitveni kabel na ozemljitveni sistem vozila.
24. **Samo mehanski modeli:** Priključite kabel na zunanjo enoto in enoto za izpust zraka.
 - a) Filter rahlo izvlecite, da nastane reža za povezovalni kabel **(3)**.
 - b) Kabel speljite skozi režo in poiščite žico v odprtini.
 - c) Priključite povezovalni 6-polni vtič v vtičnico na strani zaslona v ADB. Prepričajte se, da je kabel nameščen v majhno odprtino v stran od območja filtra.
 - d) Odvečni kabel pritrdite v držalo.
 25. **Samo modeli s fiksno hitrostjo in modeli s pretvornikom:** Priključite povezovalni kabel.
 - a) Filter rahlo izvlecite, da nastane reža za povezovalni kabel **(4)**.
 - b) Povezovalni kabel speljite skozi režo in poiščite žico v odprtini.

- c) Priključite povezovalni 4-polni vtič v vtičnico na strani zaslona v ADB. Prepričajte se, da je kabel nameščen v majhno odprtino vstran od območja filtra.
- d) Odvečni kabel pritrdite v držala.

Namestitev ADB

26. Zložite odseke kanala in jih postavite ob debelino strehe: višina kanala mora ustrezati višini strehe, pomagajte si lahko tudi s tabelo.

 **sl. 14 na strani 8**

Debelina strehe	Število odsekov kanala
25 ... 35 mm	1
35 ... 45 mm	2
45 ... 55 mm	3
55 ... 60 mm	4



NASVET Za debelejšje strehe je mogoče kupiti dodatne odseke kanala.

27. Na ADB pritrdite potrebno število odsekov kanala.
28. ADB pritrdite na strop skozi strešno enoto s 4 priloženimi vijaki. Vijake pritegnite z momentnim ključem in priteznim momentom $2.5 \text{ Nm} \pm 0.3 \text{ Nm}$.

 **sl. 15 na strani 9**

29. Filter potisnite do konca nazaj.

 **sl. 16 na strani 9**

30. Sredinski pokrov pritrdite na ADB.

 **sl. 17 na strani 10**

31. Pozanimajte se pri proizvajalcu vozila, ali je po namestitvi strešne klimatske naprave potreben tehnični pregled in ali je treba v dokumentih vozila spremeniti višino vozila.

- FreshJet FJX4233, FreshJet FJX4333, FreshJet FJX7333: dodatna višina 225 mm
- FreshJet FJX7337: dodatna višina 242 mm
- FreshJet FJX7457: dodatna višina 283 mm

✓ Montaža je zdaj končana.

Strešno klimatsko napravo priključite na napajanje in preverite, ali deluje.

12 Vezalni načrti**FJX4233M**

 **sl. 18 na strani 10**

FJX4233E, FJX4333E(EH), FJX7333IHP

 **sl. 19 na strani 11**

FJX7333IHP sl. 20 na strani 11**FJX7337IHP, FJX7457IHP** sl. 21 na strani 12**ADB** sl. 22 na strani 12

13 Odstranjevanje



Emblažni material odstranite v primerne zabojnike za recikliranje odpadkov, če je to mogoče. Pri lokalnem centru za zbiranje odpadkov ali specializiranem prodajalcu se pozanimajte glede odstranjenja izdelka v skladu z veljavnimi predpisi.



Varujte okolje! Baterij ne odlagajte med gospodinjske odpadke. Poškodovane ali rabljene baterije vrnite prodajalcu oz. jih odnesite v zbirni center.

14 Tehnični podatki

 sl. 23 na strani 13  sl. 24 na strani 13  sl. 25 na strani 13  sl. 26 na strani 14

Vsebuje fluorirane toplogredne pline. Hermetično zaprta oprema.

S tem podjetje Dometic potrjuje, da je radijska oprema v skladu z Direktivo 2014/53/EU. Celotno besedilo izjave EU o skladnosti je na voljo na naslednjem internetnem naslovu <http://documents.dometic.com>.

	FreshJet FJX4233M
Hladilna zmogljivost po ISO 5151:	1500 W
Izmenična vhodna napetost	220 V ... 240 V / 50 Hz
Nazivni tok hlajenja:	3,1 A
Potrebna varovalka:	Min. 4 A, max. 16 A
Območje delovne temperature:	-2 °C ... 52 °C
Hladilno sredstvo:	R410a
Količina hladilnega sredstva:	380 g
Ekvivalent CO ₂ :	0,793 t
Potencial globalnega segrevanja (GWP):	2088
Razred zaščite (strešna enota):	IPX4
Stopnja hrupa (najvišja nastavitve ventilatorja)	< 70 dB(A)
Frekvenca	2,4 GHz

SL Dometic FJX

	FreshJet FJX4233M		
Maksimalna moč radijske frekvence	19,14 dBm		
Predlagana maks. dolžina vozila (z izoliranimi stenami):	≤ 5 m		
Mere D x Š x V:	sl. 23		
Teža:	< 30 kg		
Pregled/certifikat:	CE UK		
	FreshJet FJX4233EEH	FreshJet FJX4333EEH	FreshJet FJX4333E
Hladilna zmogljivost po ISO 5151:	1700 W	2200 W	2200 W
Ogrevalna zmogljivost po ISO 5151:	800 W	1000 W	-
Izmenična vhodna napetost	220 V ... 240 V / 50 Hz		
Nazivni tok hlajenja:	3,4 A	4,6 A	4,6 A
Nazivni tok ogrevanja:	3,7 A	4,4 A	-
Potrebna varovalka:	Min. 4 A, max. 16 A	Min. 5 A, max. 16 A	Min. 5 A, max. 16 A
Območje delovne temperature:	-2 °C ... 52 °C		
Hladilno sredstvo:	R32		
Količina hladilnega sredstva:	320 g	360 g	360 g
Ekvivalent CO ₂ :	0,216 t	0,243 t	0,243 t
Potencial globalnega segrevanja (GWP):	675		
Razred zaščite (strešna enota):	IPX4		
Stopnja hrupa (najvišja nastavitve ventilatorja)	< 70 dB(A)		
Frekvenca	2,4 GHz		
Maksimalna moč radijske frekvence	19,14 dBm		
Predlagana maks. dolžina vozila (z izoliranimi stenami):	≤ 6 m	≤ 7 m	≤ 7 m
Mere D x Š x V:	sl. 24		
Teža:	< 30 kg	< 30 kg	< 30 kg
Pregled/certifikat:	CE UK		
	FreshJet FJX7333IHP	FreshJet FJX7337IHP	FreshJet FJX7457IHP
Hladilna zmogljivost po ISO 5151:	2200 W	3000 W	3500 W

	Freshjet FJX7333IHP	Freshjet FJX7337IHP	Freshjet FJX7457IHP
Ogrevalna zmogljivost po ISO 5151:	2000 W	2500 W	3000 W
Izmenična vhodna napetost	220 V ... 240 V / 50 Hz ... 60 Hz		
Nazivni tok hlajenja:	< 5,9 A	< 7,3 A	< 7,5 A
Nazivni tok ogrevanja:	< 3,7 A	< 5,9 A	< 6,5 A
Potrebna varovalka:	Min. 6 A, max. 16 A	Min. 8 A, max. 16 A	Min. 8 A, max. 16 A
Območje delovne temperature:	-2 °C ... 52 °C		
Hladilno sredstvo:	R32		
Količina hladilnega sredstva:	400 g	480 g	650 g
Ekvivalent CO ₂ :	0,270 t	0,324 t	0,439 t
Potencial globalnega segrevanja (GWP):	675		
Razred zaščite (strešna enota):	IPX4		
Stopnja hrupa (najvišja nastavitve ventilatorja)	< 70 dB(A)		
Frekvenca	2,4 GHz		
Maksimalna moč radijske frekvence	19,14 dBm		
Predlagana maks. dolžina vozila (z izoliranimi stenami):	≤ 7 m	≤ 7 m	> 8 m
Mere D x Š x V:	sl. 24	sl. 25	sl. 26
Teža:	< 30 kg	< 35 kg	< 40 kg
Pregled/certifikat:	CE UK		

Română

1	Observații importante.....	238
2	Explicația simbolurilor.....	238
3	Categorii vizate.....	239
4	Instrucțiuni de siguranță.....	239
5	Domeniul de livrare.....	240
6	Accesorii.....	241
7	Domeniul de utilizare.....	241
8	Lista de modele.....	241
9	Explicația simbolurilor de pe aparat.....	242
10	Limite și condiții tehnice.....	242
11	Instalare.....	243
12	Scheme electrice.....	247
13	Eliminarea.....	247
14	Date tehnice.....	247

1 Observații importante

Citiți cu atenție și respectați toate instrucțiunile, indicațiile și avertismentele incluse în acest manual de produs pentru a vă asigura că instalați, utilizați și întrețineți produsul în permanență. Aceste instrucțiuni TREBUIE păstrate cu acest produs.

Prin utilizarea produsului, confirmați că ați citit cu atenție toate instrucțiunile, indicațiile și avertismentele și că înțelegeți și sunteți de acord să respectați termenii și condițiile stabilite. Sunteți de acord să utilizați acest produs numai pentru scopul și aplicația prevăzute și în conformitate cu instrucțiunile, indicațiile și avertismentele prezentate în acest manual de produs, precum și în conformitate cu toate legile și reglementările aplicabile. Nerespectarea instrucțiunilor și avertismentelor prezentate aici poate duce la vătămarea personală a utilizatorului sau a altora, la deteriorarea produsului sau a altor bunuri din apropiere. Acest manual al produsului, inclusiv instrucțiunile, indicațiile și avertismentele și documentația aferentă pot fi supuse modificărilor și actualizărilor. Pentru informații actualizate despre produs, vă rugăm să vizitați documents.dometic.com.

2 Explicația simbolurilor



PERICOL!

Indică o situație periculoasă care, dacă nu este evitată, va provoca moartea sau răni grave.



AVERTIZARE!

Indică o situație periculoasă care, dacă nu este evitată, poate provoca moartea sau răni grave.



PRECAUȚIE!

Indică o situație periculoasă care, dacă nu este evitată, poate provoca răni minore sau medii.



ATENȚIE!

Indică o situație care, dacă nu este evitată, poate duce la pagube materiale.



INDICAȚIE Informații complementare privind operarea produsului.

3 Categoriile vizate



Alimentarea cu energie electrică trebuie să fie bransată de un electrician calificat care are abilități și cunoștințe legate de construcția și utilizarea echipamentelor și a instalațiilor electrice și care are pregătire în domeniul siguranței pentru a identifica și evita pericolele asociate.



Montarea mecanică trebuie efectuată de către o persoană calificată familiarizată cu structura și funcționarea echipamentelor și cu pericolele asociate.

4 Instrucțiuni de siguranță



AVERTIZARE! Nerespectarea acestor avertismente poate conduce la moarte sau vătămări grave.

- Repararea aparatului poate fi efectuată numai de către personal calificat familiarizat cu riscurile implicate și cu reglementările relevante. Reparațiile necorespunzătoare pot cauza pericole grave. Pentru servicii de reparare, contactați centrul de service din țara dvs. (consultați dometic.com/dealer).
- Aparatul trebuie montat în conformitate cu reglementările naționale privind instalațiile electrice și mecanice.
- **Aparatele electrice nu sunt jucării!** Nu lăsați aparatele electrice la îndemâna copiilor și a persoanelor infirme. Nu le permiteți acestora să folosească aparate electrice fără supraveghere.
- Persoanele ale căror capacități fizice, senzoriale sau mentale sau a căror lipsă de experiență și cunoștințe le împiedică să utilizeze aparatul în condiții de siguranță nu trebuie să îl folosească fără supraveghere sau instruire de la o persoană responsabilă.
- **Nu** desfaceți capacul superior al aparatului în caz de incendiu. Utilizați agenți de stingere aprobați. Nu utilizați apă pentru stingere.
- Aparatul trebuie depozitat într-o încăpere fără flăcări deschise (de exemplu, un aparat cu gaz în funcțiune) și surse de aprindere care funcționează continuu (de exemplu, un încălzitor electric în funcțiune).
- Aparatul trebuie depozitat orizontal într-un loc uscat, aerisit și acoperit.
- Nu perforați și nu ardeți aparatul.
- Rețineți că agenții frigorifici nu au miros.
- Aparatul de aer condiționat de plafon trebuie instalat într-un vehicul cu o suprafață a podelei mai mare de 4 m².



PRECAUȚIE! Nerespectarea acestor precauții poate conduce la vătămări minore sau moderate.

- Folosiți aparatul numai în cazul în care sunteți sigur că carcasa și cablurile acestuia nu sunt deteriorate.
- Nu folosiți aparatul lângă fluide inflamabile sau în încăperi închise.
- Asigurați-vă că nu sunt depozitate sau instalate obiecte inflamabile lângă orificiul de evacuare a aerului. Trebuie respectată o distanță de cel puțin 50 cm.

- Nu introduceți mâna în evacuările de aer și nu introduceți obiecte străine în aparat.
- Purtați întotdeauna ochelari și mănuși de protecție.



ATENȚIE! Pericol de defectare

- Aparatul funcționează optim la 1020 mbar.
- Aparatul trebuie depozitat astfel încât să nu se producă deteriorări mecanice.
- Înainte de montare, verificați dacă componentele vehiculului ar putea fi deteriorate prin montarea aparatului (cum ar fi lămpile, dulapurile, ușile). Este posibil ca producătorul vehiculului să fi prevăzut deja puncte în care deschiderea pentru montarea aparatului poate fi realizată fără niciun risc de slăbire a structurii sau de tăiere a cablurilor de alimentare.
- Înainte de montare, întrebați producătorul vehiculului dacă structura este proiectată pentru greutatea statică și sarcinile aparatului de aer condiționat de plafon atunci când vehiculul este în mișcare.
- Asigurați-vă că cadrul de plafon este etanșat corespunzător pe plafon.
- Alegeți o zonă plată și suficient de plană în centrul plafonului vehiculului între două secțiuni longitudinale pentru instalare.
- Înclinarea plafonului pentru suprafața de montare nu poate depăși 10 °.
- Asigurați-vă că nu există obiecte în interiorul vehiculului care ar putea împiedica fixarea casetei de distribuție a aerului sau fluxul de aer răcit prin duzele de distribuție a aerului.
- Nu efectuați modificări sau transformări ale aparatului.
- Nu folosiți niciodată spălătorii auto automate când aparatul de aer condiționat de plafon este montat.
- Dacă apar defecțiuni în circuitul de agent frigorific, sistemul trebuie verificat de o firmă specializată și reparat corespunzător.
- Agentul frigorific nu trebuie eliberat niciodată în aer.
- Întrebați producătorul vehiculului dacă înălțimea specificată în actele vehiculului trebuie modificată ca urmare a montării aparatului de aer condiționat de plafon.

5 Domeniul de livrare

 fig. 1 pagină 3  fig. 2 pagină 3

Nr. în fig. 1, fig. 2	Numărul	Denumire
1	1	Unitate de plafon
2	1	Cadru de plafon
3	1	Cutie de distribuție a aerului (ADB)
4	1	Capac central ADB
5	4	Secțiuni de conducte
6	3	Conectori cablu
7	4	Șuruburi de fixare
8	1	Capac casetă
9	1	Doar unele modele: Telecomanda

6 Accesorii

Disponibile ca și accesorii (nu sunt conținute în setul de livrare):

Denumire	Nr. art.
Secțiuni de prelungire a conductelor (fiecare secțiune acoperă încă 10 mm)	4450017931
Șuruburi de fixare mai lungi M6 x 160 mm (pentru grosimi de plafon de 60 ... 120 mm)	4450012023
Purificator de aer	4450029486
Încălzitor electric	4450029487
Lumină ambientă ADB	4450029488
Filtre pentru FreshJet FJX4233M	4450024007 4450024008
Filtre pentru FreshJet FJX4233EEH/FJX4333E(EH)/FJX7333IHP/FJX7337IHP/FJX7457IHP	4450025683

7 Domeniul de utilizare

Aparatul de aer condiționat de plafon este proiectat doar pentru montare pe plafonul unei rulote sau al unui vehicul de agrement pentru a asigura răcire și încălzire.

Aparatul de aer condiționat de plafon **nu** este adecvat pentru trenuri, case și apartamente. Aparatul de aer condiționat de plafon **nu** este adecvat montării în utilaje de construcții, utilaje agricole sau echipamente similare.

Acest produs este potrivit numai pentru scopul și utilizarea prevăzute în conformitate cu aceste instrucțiuni.

Acest manual oferă informații necesare pentru instalarea și/sau utilizarea corectă a produsului. Instalarea defectuoasă și/sau utilizarea sau întreținerea necorespunzătoare vor avea ca rezultat performanțe nesatisfăcătoare și o posibilă defecare.

Producătorul nu își asumă nicio răspundere pentru orice vătămare sau deteriorare a produsului - rezultate din:

- Instalarea, asamblarea sau conectarea incorectă, inclusiv supratensiunea
- Întreținerea sau utilizarea incorectă a pieselor de schimb, altele decât piesele de schimb originale furnizate de producător
- Modificări aduse produsului fără aprobarea explicită din partea producătorului
- Utilizarea în alte scopuri decât cele descrise în manual

Dometic își rezervă dreptul de a modifica aspectul și specificațiile produsului.

8 Lista de modele

Modelele se împart în modele mecanice, modele cu viteză fixă și modele cu invertor.

Următorul tabel indică funcțiile care se aplică unui anumit model:

- Funcția este disponibilă

○ Funcția poate fi prevăzută

	FJX4233M	FJX4233E-EH	FJX4333E-EH	FJX4333E	FJX7333IHP	FJX7337IHP	FJX7457IHP
	Mecanic	Viteză fixă			Invertor		
Regim auto-mat		●	●	●	●	●	●
Răcire	●	●	●	●	●	●	●
Încălzire		●	●	○	●	●	●
Ventilație	●	●	●	●	●	●	●
Dezumidificare		●	●	●	●	●	●
Purificator de aer	○	●	●	○	●	●	●
Lumină ADB		●	●	○	●	●	●
Lumină externă					●	●	●
Temporizator		●	●	●	●	●	●
Somn		●	●	●	●	●	●
Pornire soft			●	○	●	●	●

9 Explicația simbolurilor de pe aparat



A2L

Atenție! Material cu viteză de ardere scăzută.



Citiți manualul de utilizare.



Citiți manualul de service.

10 Limite și condiții tehnice

Aparatul de aer condiționat de plafon este destinat vehiculelor cu plafon cu grosimea de 25 mm ... 60 mm. Aparatul de aer condiționat de plafon va funcționa la temperaturi ambiante între -2 °C ... 52 °C. Aparatul de aer condiționat de plafon este destinat montării într-un interval de ± 10 ° față de planul orizontal.

11 Instalare



PERICOL! Pericol de electrocutare

- Alimentarea cu energie electrică din vehiculul de agrement trebuie să fie branșată de un electrician calificat care are abilități și cunoștințe demonstrate legate de structura și funcționarea echipamentelor și a instalațiilor electrice și care are pregătire în domeniul siguranței pentru a identifica și evita pericolul asociat.
- Deconectați toate sursele de alimentare, inclusiv invertoarele, când lucrați la aparatul de aer condiționat de plafon.
- Asigurați-vă că alimentarea electrică a aparatului nu poate fi reconectată în timpul montării sau întreținerii.



AVERTIZARE! Pericol de electrocutare

- Aparatul se va instala în conformitate cu reglementările naționale privind instalațiile electrice.
- Cablarea fixă trebuie să încorporeze următoarele, în conformitate cu regulile de cablare: Un dispozitiv de deconectare tripolar cu distanțe de cel puțin 3 mm la toți polii; în situații cu un curent de scurgere care poate depăși 10 mA, un dispozitiv de curent rezidual (RCD) cu un curent rezidual de funcționare nominal ce nu depășește 30 mA; un disjunctor.
- Dacă aparatul este montat în locul unui geam sau al unei trape cu o funcție de aerisire forțată relevantă pentru siguranță, trebuie adăugat un dispozitiv suplimentar de aerisire (de ex., un ventilator-cu-percă sau ceva similar). Dacă aveți îndoieli, consultați producătorul vehiculului.
- După montarea aparatului de aer condiționat de plafon, orice coș de evacuare din apropierea aparatului de aer condiționat de plafon trebuie să se ridice până la cel puțin 10 cm deasupra acestuia. Dacă este necesar, prelungiți coșul de evacuare. Respectați instrucțiunile producătorului instalației de încălzire.



PRECAUȚIE! Atenție la vătămări corporale

- Montarea incorectă a aparatului de aer condiționat de plafon poate duce la deteriorări ireparabile ale aparatului și poate pune în pericol siguranța utilizatorului.
- Apelați întotdeauna la cineva să vă ajute când transportați sau ridicați aparatul de aer condiționat de plafon.
- Înainte de montare, verificați prezența cablajelor existente, a firelor și a altor componente din zona de montare, în special cele care nu sunt vizibile, la montarea aparatului (găurire, înșurubare etc.).
- Atașați și dispuneți cablurile astfel încât să nu poată deteriorate sau să vă împiedicați de ele.
- Purtați întotdeauna ochelari și mănuși de protecție.



ATENȚIE! Pericol de defectare

- Aparatul este un sistem sigilat, cu circuit de agent frigorific închis. Nu deschideți și nu manipulați, dacă nu sunteți un tehnician calificat corespunzător.
- Utilizați conducte de cablu pentru a dispune cablurile pe lângă pereți cu margini ascuțite.
- Nu așezați cabluri slăbite sau curbate lângă materiale conductoare electrice (metalice).
- Nu trageți de cabluri.
- Asigurați-vă că cablurile nu vor fi supuse uzurii, coroziunii, presiunii excesive, vibrațiilor, mușchilor ascuțiți sau orice alte efecte de mediu adverse. Țineți cont și de efectele îmbătrânirii sau ale vibrațiilor continue din surse precum compresoare sau ventilatoare.

- Țineți cont de rezistența structurală a acoperișului vehiculului. Plafonul vehiculului trebuie să poată suporta greutatea aparatului de aer condiționat de plafon fără a se produce indentații sau deformări. Dacă aveți îndoieli, consultați producătorul vehiculului.



INDICAȚIE

- Găsiți specificațiile aparatului în Date tehnice și pe următoarele plăcuțe cu date tehnice:
- Plăcuța cu date tehnice a unității de plafon fig. **3**
- Plăcuța cu date tehnice a ADB fig. **4**



Găsiți mai multe informații cu privire la aparatele de aer condiționat de plafon în manualul de utilizare, cum ar fi descrierea tehnică sau comenzile, consultați qr.dometic.com/bdijN0x.



fig. 3 pagină 4 fig. 4 pagină 4

1. Alegerea modului de montare a aparatului de aer condiționat de plafon:
 - Realizați o deschidere nouă. În acest caz, deschiderea trebuie să fie întărită cu un cadru adecvat.
 - Folosiți o deschidere existentă a vehiculului, cum ar fi o trapă de plafon, sau înlocuiți un aparat de aer condiționat de plafon vechi.
 - Aveți grijă să respectați următoarele distanțe:

Model	Înălțimea obiectului < 60 mm	Înălțimea obiectului > 60 mm			
	Toate cele patru laturi	Dreapta	Stânga *	Partea posterioară *	Partea frontală
FJX4333EEH	50 mm	150 mm	150 mm	150 mm	150 mm
FJX7333IHP	50 mm	150 mm	150 mm	150 mm	150 mm
FJX7337IHP	50 mm	300 mm	150 mm	150 mm	150 mm
FJX7457IHP	50 mm	300 mm	150 mm	150 mm	150 mm

* În acest context, „stânga” și „dreapta” înseamnă atunci când priviți unitatea din partea din față a vehiculului.

- Aveți grijă să respectați următoarele distanțe:

* În acest context, „stânga” și „dreapta” înseamnă atunci când priviți unitatea din partea din față a vehiculului.

Realizarea unei deschideri noi

2. Selectați o zonă în centrul acoperișului între două suporturi longitudinale.
3. Marcați poziția și dimensiunea deschiderii (400 × 400 mm).

fig. 5 pagină 4

4. Găuriți colțurile (A).



ATENȚIE! Pericol de defectare

Asigurați-vă că nu deteriorați cabluri electrice de alimentare. Verificați unde se află cablurile electrice.

 **fig. 6** pagină 5

5. Tăiați cu grijă deschiderea din plafon folosind un ferăstrău sau o unealtă similară (B).
6. Verificați dacă deschiderea din plafon necesită ranforsare.
7. Dacă este necesar, îndepărtați spuma în funcție de lățimea șinelor de ranforsare (nu fac parte din livrare) (A).

 **fig. 7** pagină 5

8. Montați șinele de ranforsare (B).

Montarea într-o deschidere existentă

9. Scoateți toate șuruburile și dispozitivele de fixare ale trapei existente de pe acoperiș sau ale aparatului de aer condiționat existent.

 **fig. 8** pagină 5

10. Scoateți trapa de plafon sau aparatul de aer condiționat de plafon.
11. Îndepărtați materialul de etanșare din jurul deschiderii folosind o racletă sau un instrument similar.

 **fig. 9** pagină 5**Pozarea cablurilor de conectare**

12. Asigurați-vă că specificația de tensiune de pe plăcuța cu date tehnice a aparatului de aer condiționat de plafon corespunde cu cea a sursei de alimentare. Aparatul de aer condiționat de plafon trebuie să fie conectat la un circuit electric capabil să furnizeze curentul necesar (Date tehnice).
13. Asigurați-vă că sursa de alimentare dispune de un disjuncteur de curent rezidual (< 30 mA). Dacă lipsește, montați un disjuncteur de curent rezidual.
14. Montați un comutator tripolar cu o distanță de deschidere a contactului de cel puțin 3 mm pe partea instalației.
15. Selectați secțiunea transversală a cablului de alimentare corespunzătoare lungimii:
 - Lungime < 7,5 m: 1,5 mm²
 - Lungime > 7,5 m: 2,5 mm²
16. Realizați o deschidere pe o latură pentru a trece cablul de alimentare.

 **fig. 10** pagină 5

17. Treceți cabul de alimentare prin deschidere, în interiorul vehiculului.

Montarea unității de plafon

18. Etanșați în jurul cadrului de plafon cu un compus de etanșare butilic flexibil, care nu se întărește (de ex., Sikalastomer-710, Selleys Butyl Mastic, Bostik Ezycaulk butilic etanșant sau produse similare). Respectați instrucțiunile producătorului materialului de etanșare.

 **fig. 11** pagină 6

19. Orientați cadrul de plafon în funcție de dimensiunea deschiderii.
20. Montați cadrul de plafon în deschiderea din plafon.

 **fig. 12** pagină 6

21. Ridicați unitatea de plafon pe plafonul vehiculului. Respectați direcția de mers.
22. Amplasați unitatea de plafon în cadrul de plafon și aliniați-o în canelura cadrului de plafon. Pentru alinierea în canelura cadrului de plafon, folosiți colțurile din partea din față a cadrului de plafon.

Conexiune electrică

23. Conectați cablul sursei de alimentare.

 **fig. 13** pagină 7

- a) Conectați cablurile (1) la un conector de cablu (2).
 - b) Conectați aparatul de aer condiționat de plafon la sursa de alimentare.
 - c) Conectați cablul de împământare la sistemul de împământare al vehiculului.
24. **Nu mai pentru modelele mecanice:** Conectați cablul dintre unitatea externă și difuzorul casei de aer.
- a) Trageți puțin filtrul pentru a crea un spațiu pentru cablul de comunicație (3).
 - b) Treceți cablul prin spațiu și poziționați firul în deschidere.
 - c) Conectați mufa de comunicare cu 6 pini la priza din partea laterală a afișajului din ADB. Asigurați-vă că cablul este amplasat în deschiderea mică, la distanță de zona filtrului.
 - d) Fixați cablul în exces în suporturi.
25. **Nu mai modelele cu viteză fixă și cu inverter:** Conectați cablurile de comunicație.
- a) Trageți puțin filtrul pentru a crea un spațiu pentru cablul de comunicație (4).
 - b) Treceți cablul de comunicație prin spațiu și localizați firul în deschidere.
 - c) Conectați mufa de comunicare cu 4 pini la priza din partea laterală a afișajului din ADB. Asigurați-vă că cablul este amplasat în deschiderea mică, la distanță de zona filtrului.
 - d) Fixați cablul în exces în suporturi.

Montarea ADB




26. Suprapuneți secțiunile de conductă și amplasați-le pe grosimea plafonului: asigurați-vă că înălțimea conductelor se potrivește cu înălțimea plafonului sau folosiți tabelul ca ghid.

 **fig. 14** pagină 8

Grosimea acoperișului	Numărul de secțiuni de conducte
25 ... 35 mm	1
35 ... 45 mm	2
45 ... 55 mm	3
55 ... 60 mm	4



INDICAȚIE Secțiuni suplimentare de conducte pot fi achiziționate pentru acoperișuri mai groase.

27. Atașați numărul necesar de secțiuni de conducte pe ADB.
28. Fixați ADB pe plafon prin aparatul de aer condiționat de plafon cu cele patru șuruburi furnizate. Strângeți șuruburile folosind o cheie dinamometrică și un cuplu de strângere de 2.5 Nm ± 0.3 Nm.
-  **fig. 15** pagină 9
29. Împingeți filtrul înapoi complet.
-  **fig. 16** pagină 9
30. Fixați capacul central de ADB.
-  **fig. 17** pagină 10
31. Întrebați producătorul vehiculului dacă este necesară o inspecție tehnică după montarea unui aparat de aer condiționat de plafon și dacă înălțimea specificată în actele vehiculului trebuie modificată.
- FreshJet FJX4233, FreshJet FJX4333, FreshJet FJX7333: Înălțime crescută 225 mm
 - FreshJet FJX7337: Înălțime crescută 242 mm
 - FreshJet FJX7457: Înălțime crescută 283 mm

✓ Instalarea este acum finalizată.

Conectați sursa de alimentare și testați dacă aparatul de aer condiționat de plafon funcționează.

12 Scheme electrice

FJX4233M

 fig. 18 pagină 10

FJX4233E, FJX4333E(EH), FJX7333IHP

 fig. 19 pagină 11

FJX7333IHP

 fig. 20 pagină 11

FJX7337IHP, FJX7457IHP

 fig. 21 pagină 12

ADB

 fig. 22 pagină 12

13 Eliminarea



Depuneți materialul de ambalare pe cât posibil în containere corespunzătoare pentru reciclare. Consultați un centru local de reciclare sau un reprezentant specializat pentru detalii despre detalii cu privire la eliminarea produsului în conformitate cu reglementările aplicabile privind eliminarea.



Protejați mediul înconjurător! Acumulatorii și bateriile nu se depun împreună cu gunoii menajer. Vă rugăm să predați acumulatorii defecti sau bateriile consumate la reprezentantul comercial sau la un centru de colectare.

14 Date tehnice

 fig. 23 pagină 13  fig. 24 pagină 13  fig. 25 pagină 13  fig. 26 pagină 14

Conține gaze cu efect de seră fluorurate. Echipament etanșate ermetic.

Prin prezenta, Dometic declară că această clasă de echipamente este în conformitate cu Directiva 2014/53/UE. Textul integral al declarației UE de conformitate este disponibil la următoarea adresă de internet <http://documents.dometic.com>.

	FreshJet FJX4233M
Capacitatea de răcire bazată pe ISO 5151:	1500 W
Tensiune de intrare c.a.:	220 V ... 240 V / 50 Hz
Curent nominal de răcire:	3,1 A

	FreshJet FJX4233M
Siguranță necesară:	Min. 4 A, max. 16 A
Domeniul temperaturii de lucru:	-2 °C ... 52 °C
Agent frigorigen:	R410a
Cantitatea de agent frigorigen:	380 g
Echivalent CO ₂ :	0,793 t
Potențial de efect de seră (GWP):	2088
Clasă de protecție (unitate de plafon):	IPX4
Nivel de zgomot (setarea cea mai ridicată a ventilatorului)	< 70 dB(A)
Frecvență	2,4 GHz
Puterea maximă de radiofrecvență	19,14 dBm
Lungimea maximă sugerată a vehiculului (cu pereți izolați):	≤ 5 m
Dimensiuni lungime x lățime x înălțime:	fig. 23
Greutate:	< 30 kg
Verificare/certificare:	CE UK

	FreshJet FJX4233EEH	FreshJet FJX4333EEH	FreshJet FJX4333E
Capacitatea de răcire bazată pe ISO 5151:	1700 W	2200 W	2200 W
Capacitatea de încălzire bazată pe ISO 5151:	800 W	1000 W	-
Tensiune de intrare c.a.:	220 V ... 240 V / 50 Hz		
Curent de răcire nominal:	3,4 A	4,6 A	4,6 A
Curent de încălzire nominal:	3,7 A	4,4 A	-
Siguranță necesară:	Min. 4 A, max. 16 A	Min. 5 A, max. 16 A	Min. 5 A, max. 16 A
Domeniul temperaturii de lucru:	-2 °C ... 52 °C		
Agent frigorigen:	R32		
Cantitatea de agent frigorigen:	320 g	360 g	360 g
Echivalent CO ₂ :	0,216 t	0,243 t	0,243 t
Potențial de efect de seră (GWP):	675		
Clasă de protecție (unitate de plafon):	IPX4		

	FreshJet FJX4233EEH	FreshJet FJX4333EEH	FreshJet FJX4333E
Nivel de zgomot (setarea cea mai ridicată a ventilatorului)		< 70 dB(A)	
Frecvență		2,4 GHz	
Puterea maximă de radiofrecvență		19,14 dBm	
Lungimea maximă sugerată a vehiculului (cu pereți izolați):	≤ 6 m	≤ 7 m	≤ 7 m
Dimensiuni lungime x lățime x înălțime:		fig. 24	
Greutate:	< 30 kg	< 30 kg	< 30 kg
Verificare/certificare:	CE UK		
	FreshJet FJX7333IHP	FreshJet FJX7337IHP	FreshJet FJX7457IHP
Capacitatea de răcire bazată pe ISO 5151:	2200 W	3000 W	3500 W
Capacitatea de încălzire bazată pe ISO 5151:	2000 W	2500 W	3000 W
Tensiune de intrare c.a.:	220 V ... 240 V / 50 Hz ... 60 Hz		
Curent nominal de răcire:	< 5,9 A	< 7,3 A	< 7,5 A
Curent nominal de încălzire:	< 3,7 A	< 5,9 A	< 6,5 A
Siguranță necesară:	Min. 6 A, max. 16 A	Min. 8 A, max. 16 A	Min. 8 A, max. 16 A
Domeniul temperaturii de lucru:	-2 °C ... 52 °C		
Agent frigorigen:		R32	
Cantitatea de agent frigorigen:	400 g	480 g	650 g
Echivalent CO ₂ :	0,270 t	0,324 t	0,439 t
Potențial de efect de seră (GWP):		675	
Clasă de protecție (unitate de plafon):		IPX4	
Nivel de zgomot (setarea cea mai ridicată a ventilatorului)		< 70 dB(A)	
Frecvență		2,4 GHz	
Puterea maximă de radiofrecvență		19,14 dBm	
Lungimea maximă sugerată a vehiculului (cu pereți izolați):	≤ 7 m	≤ 7 m	> 8 m
Dimensiuni lungime x lățime x înălțime:	fig. 24	fig. 25	fig. 26
Greutate:	< 30 kg	< 35 kg	< 40 kg

	FreshJet FJX7333IHP	FreshJet FJX7337IHP	FreshJet FJX7457IHP
Verificare/certificare:	CE 		

Български език

1	Важни бележки.....	251
2	Обяснение на символите.....	251
3	Целеви групи.....	252
4	Инструкции за безопасност.....	252
5	Обхват на доставката.....	253
6	Принадлежности.....	254
7	Използване по предназначение.....	254
8	Списък на моделите.....	254
9	Обяснения на символите върху уреда.....	255
10	Технически ограничения и условия.....	255
11	Инсталиране.....	256
12	Схеми на окабеляване.....	260
13	Изхвърляне.....	260
14	Технически данни.....	260

1 Важни бележки

Моля, прочетете внимателно тези инструкции и спазвайте всички указания, напътствия и предупреждения, включени в настоящото ръководство, за да сте сигурни, че монтирате, използвате и поддържате правилно този продукт. Тези инструкции ТРЯБВА да се съхраняват с продукта.

Като използвате продукта, Вие потвърждавате, че сте прочели внимателно всички указания, напътствия и предупреждения и че разбирате и приемате да спазвате сроковете и условията, съдържащи се в тях. Вие се съгласявате да използвате този продукт само по предназначение и в съответствие с указанията, инструкциите и предупрежденията, описани в ръководството на продукта, както и в съответствие с всички приложими закони и разпоредби. Ако не прочетете и не спазвате инструкциите и предупрежденията, това може да доведе до наранявания за вас или за други хора, щети по продукта или щети по други предмети в близост до него. Това ръководство на продукта, включително указанията, инструкциите и предупрежденията и другата документация, подлежи на промяна и обновяване. За актуална информация за продукта, моля, посетете documents.dometic.com.

2 Обяснение на символите



ОПАСНОСТ!

Показва опасна ситуация която, ако не бъде избегната, ще доведе до смърт или тежко нараняване.



ПРЕДУПРЕЖДЕНИЕ!

Показва опасна ситуация която, ако не бъде избегната, може да доведе до смърт или тежко нараняване.



ВНИМАНИЕ!

Показва опасна ситуация която, ако не бъде избегната, може да доведе до леко или средно нараняване.



ВНИМАНИЕ!

Показва ситуация която, ако не бъде избегната, ще доведе до щети по имуществото.



УКАЗАНИЕ Допълнителна информация за боравенето с продукта.

3 Целеви групи



Електрозахранването трябва да се свърже от квалифициран електротехник, притежаваш необходимите знания и умения относно конструкцията и работата на електрическо оборудване и преминал инструктаж за безопасност, за да може да разпознае и избегне евентуалните опасности.



Механичната инсталация трябва да се извърши от квалифицирано лице, което е запозната с конструкцията и експлоатацията на оборудването и свързаните с това опасности.

4 Инструкции за безопасност



ПРЕДУПРЕЖДЕНИЕ! Неспазването на тези предупреждения може да доведе до смърт или сериозни наранявания.

- Ремонтът на уреда може да се извършва само от квалифициран персонал, запознат със съществуващите рискове и валидните предписания. Неправилни ремонти могат да доведат до сериозни опасности. За ремонт, моля обръщайте се към сервизния център във Вашата страна (вижте dometic.com/dealer).
- Уредът трябва да бъде инсталиран съобразно с националните регулации за окабеляване.
- **Електрическите уреди не са детска играчка!** Пазете електрическите уреди далеч от деца или хора с увреждания. Не им позволявайте да използват електрически уреди без надзор.
- Лица, чиито физически, сензорни или умствени способности или липсата на опит и знания не им позволяват да използват уреда безопасно, не трябва да го използват без надзор или инструктиране от отговорно лице.
- В случай на запалване **не** отваряйте горния капак на уреда. Използвайте одобрени средства за гасене. Не използвайте вода за гасене.
- Уредът се съхранява в помещение, без да се използват непрекъснато открити пламъци (например работещ газов уред) и източници на запалване (например работещ електрически нагревател).
- Уредът се съхранява хоризонтално на сухо, проветриво и покрито място.
- Не пробивайте и не изгаряйте уреда.
- Имайте предвид, че хладилния агент може да няма мирис.
- Климатикът на покрива се монтира в превозно средство с площ на пода, по-голяма от 4 m².



ВНИМАНИЕ! Неспазването на тези предупреждения може да доведе до леки или средни наранявания.

- Работете с уреда само ако сте сигурни, че корпусът и кабелите не са увредени.
- Не използвайте уреда в близост до запалими течности или в затворени помещения.
- Уверете се, че в близост до отворите за въздух не са разположени горими обекти. Трябва да се осигури разстояние от поне 50 cm.
- Не бъркайте в отворите за вентилация и не пхайте предмети в уреда.
- Винаги носете защитни очила и ръкавици.



ВНИМАНИЕ! Опасност от повреда

- Уредът работи оптимално при 1020 mbar.
- Уредът трябва да се съхранява така, че да се предотврати възникването на механични повреди.
- Преди да инсталирате уреда, проверете дали някои компоненти на превозното средство няма да бъдат повредени от инсталацията (напр. лампи, лавици, врати). Производителят на автомобила може да покаже налични точки, където могат да се направят отворите за инсталиране на покривната климатична инсталация, без риск от отслабване на конструкцията или прекъсване на електрически кабели.
- Преди да инсталирате, се консултирате с производителя на автомобила дали конструкцията ще издържи статичното натоварване и натоварването от климатичната инсталация когато автомобилът се движи.
- Уверете се, че рамката на покрива е правилно запечатана към покрива.
- За инсталацията изберете плоско и достатъчно равно място в средата на покрива на автомобила, между две надлъжни секции.
- Наклонът на покрива в мястото на инсталиране не трябва да надвишава 10 °.
- Уверете се, че в автомобила няма предмети, които да пречат на монтажа на модула за извеждане на въздуха или на дебита на студения въздух чрез запушване на дюзите за разпределение на въздуха.
- Не правете никакви изменения или преустройства на уреда.
- Никога не минавайте през автоматична автомивка с монтиран уред.
- Ако в охлаждащата система възникне неизправност, системата трябва да бъде проверена от специализирана фирма и надлежно ремонтирана.
- Хладилният агент никога не трябва да се изпуска в атмосферата.
- Информирайте се от производителя на вашия автомобил дали поради надстройката на стоящия климатик не е необходима промяна на въведената височина на превозното средство в документите на превозното средство.

5 Обхват на доставката

фиг. 1 на страница 3 **фиг. 2** на страница 3

№ във фиг. 1 , фиг. 2	Количество	Описание
1	1	Горна част на покрива
2	1	Рамка на покрива
3	1	Модул за разпределение на въздуха (ADB)
4	1	Централен капак на ADB
5	4	Тръбопровод
6	3	Конектори за кабелите
7	4	Закрепващи болтове
8	1	Капак на кутията
9	1	Само някои модели: Дистанционно управление

6 Принадлежности

Налични като принадлежности (не са включени в обхвата на доставката):

Описание	Инв. №
Удължение за тръбопровода (всяка секция покрива допълнително 10 mm)	4450017931
По-дълги закрепващи болтове М6 x 160 mm (за 60 ... 120 mm дебелини на покрива)	4450012023
Пречиствател на въздуха	4450029486
Електрически нагревател	4450029487
ADB околна светлина	4450029488
Филтри за FreshJet FJX4233M	4450024007 4450024008
Филтри за FreshJet FJX4233EEH/FJX4333E(EH)/FJX7333IHP/FJX7337IHP/FJX7457IHP	4450025683

7 Използване по предназначение

Покривната климатична инсталация е предназначена за монтиране на покрива на каравана или кемпер за осигуряване на охлаждане и нагряване.

Покривната климатична инсталация **не** е подходяща за влакове, къщи и апартаменти. Покривната климатична инсталация **не** е подходяща за монтиране в строителни и селскостопански машини или подобно оборудване.

Този продукт е подходящ само за предвидената цел и приложение съгласно настоящите инструкции.

Това ръководство предоставя информация, необходима за правилната инсталация и/или експлоатация на продукта. Лошо инсталиране и/или неправилна употреба и поддръжка ще доведат до незадоволителна работа и евентуално до повреди.

Производителят не носи отговорност за наранявания и повреди по продукта, причинени от:

- Неправилен монтаж и свързване, включително прекалено високо напрежение
- Неправилна поддръжка или използване на резервни части, различни от оригиналните, предоставяни от производителя
- Изменения на продукта без изрично разрешение от производителя
- Използване за цели, различни от описаните в това ръководство

Dometic си запазва правото да променя външния вид и спецификациите на продукта.

8 Списък на моделите

Моделите са диференцирани между механични, фиксирани и инверторни модели.

Следната таблица показва коя функция е приложима за конкретен модел:

- Функцията е налична

○ Функцията е надстройка

	FJX4233M	FJX4233EEN	FJX4333EEN	FJX4333E	FJX7333INP	FJX7337INP	FJX7457INP
	Механична	Фиксирана скорост			Инвертор		
Автоматика		●	●	●	●	●	●
Охлаждане	●	●	●	●	●	●	●
Нагриване		●	●	○	●	●	●
Вентилация	●	●	●	●	●	●	●
Изсушаване		●	●	●	●	●	●
Пречиства- тел на възду- ха	○	●	●	○	●	●	●
ADB светли- на		●	●	○	●	●	●
Външна свет- лина					●	●	●
Таймер		●	●	●	●	●	●
Заспиване		●	●	●	●	●	●
Плавно стар- тиране			●	○	●	●	●

9 Обяснения на символите върху уреда



A2L

Предупреждение! Материал с ниска скорост на горене.



Прочетете ръководството за експлоатация.



Прочетете ръководството за обслужване.

10 Технически ограничения и условия

Климатикът на покрива е предназначен за автомобили с покриви с дебелина 25 mm ... 60 mmот . Климатикът на покрива ще работи с температури на околната среда между -2 °C ... 52 °C. Климатикът на покрива е проектиран да бъде инсталиран в рамките на $\pm 10^\circ$ на хоризонталната равнина.

11 Инсталиране



ОПАСНОСТ! Опасност от електрически удар

- Електрозахранването трябва да се свърже от квалифициран електротехник, притежаващ необходимите знания и умения относно конструкцията и работата на електрическо оборудване и преминал инструктаж за безопасност, за да може да разпознае и избегне евентуалните опасности.
- Разкачете всички електрозахранвания, когато работите по покривната климатична инсталация.
- Уверете се, че захранването на уреда не може да се свърже отново по време на монтажа или поддръжката.



ПРЕДУПРЕЖДЕНИЕ! Опасност от електрически удар

- Уредът трябва да бъде инсталиран съобразно с националните регулации за окабеляване.
- Във фиксираното окабеляване трябва да се включи следното в съответствие с правилата за окабеляване: Устройство за изключване на всички полюси, което има най-малко 3 mm хлабини във всички полюси; когато има ток на изтичане, който може да надвишава 10 mA, устройство за остатъчен ток (RCD) с номинален остатъчен работен ток, който не надвишава 30 mA; прекъсване.
- Ако уредът замени прозорец или люк с функция за принудително обезвъздушаване, свързана с безопасността, трябва да се добави допълнително обезопасяващо вентилиращо устройство (напр. вентилатор тип гъба или подобен). В случай на съмнение се консултирайте с производителя на автомобила.
- След монтажа на покривния климатик, изпускателният комин в близост до покривния климатик трябва да се издигне поне 10 cm над него. Ако е необходимо, удължете изпускателния комин. Спазвайте инструкциите на производителя на отоплението.



ВНИМАНИЕ! Пазете се от нараняване

- Неправилното инсталиране на покривната климатична инсталация може да доведе до непоправими щети по уреда и да застраши безопасността на потребителя.
- Винаги трябва някои да Ви помагат при носене или повдигане на покривната климатична инсталация.
- От съображения за сигурност, когато монтирате уреда, отбележете разположението на съществуващите кабели, кабелни връзки и други компоненти в зоната за монтаж, особено такива, които не се виждат (когато пробивате или завивате винтове и т.н.).
- Свързвайте и разполагате кабелите така, че да не могат да бъдат увредени или да предизвикват спъване.
- Винаги носете защитни очила и ръкавици.



ВНИМАНИЕ! Опасност от повреда

- Уредът е запечатана система със затворен контур на хладилния агент. Не отваряйте и не манипулирайте, освен ако не сте подходящо квалифициран техник.
- Използвайте кабелни канали за прокарване на кабелите през стени с остри ръбове.
- Не разполагайте свободни или огънати кабели в близост до електропроводими материали (метал).
- Не дърпайте кабелите.
- Проверете дали кабелите няма да бъдат подложени на износване, корозия, прекомерно налягане, вибрации, остри ръбове или други неблагоприятни въздействия върху околната среда. При проверката се вземат предвид и ефектите от стареенето или непрекъснатата вибрация от източници като компресори или вентилатори.

- Съблюдавайте конструктивната якост на покрива на автомобила. Покривът на автомобила трябва да може да носи тежестта на покривната климатична инсталация, без да се огъва или деформира. В случай на съмнение се консултирайте с производителя на автомобила.



УКАЗАНИЕ

- Можете да намерите спецификациите на уреда в Технически данни и на следните табелки с данни:
- Табелка с данни за горната част на покрива фиг. **3**
- Табелка с данни ADB фиг. **4**



Допълнителна информация за покривната климатична инсталация можете да намерите в ръководството за работа, например техническо описание или управлението, вижте qr.dometic.com/bdjin0x.



фиг. 3 на страница 4 **фиг. 4** на страница 4

1. Изберете начина за инсталиране на покривната климатична инсталация:

- Пробийте на нов отвор. В този случай отворът трябва да бъде усилен с подходяща рамка.
- Използване на съществуващ отвор като покривен люк или при замяна на старата климатична инсталация.
- Уверете се, че имате следните отстояния:

Модел	Височина на обекта < 60 mm	Височина на обекта > 60 mm			
	Всички 4 страни	Дясно	Ляво *	Заден панел *	Преден панел
FJX4333EEN	50 mm	150 mm	150 mm	150 mm	150 mm
FJX7333INP	50 mm	150 mm	150 mm	150 mm	150 mm
FJX7337INP	50 mm	300 mm	150 mm	150 mm	150 mm
FJX7457INP	50 mm	300 mm	150 mm	150 mm	150 mm

* В този контекст "ляво" и "дясно" означава, когато гледате устройството отпред на автомобила.

- Уверете се, че имате следните отстояния:

* В този контекст "ляво" и "дясно" означава, когато гледате устройството отпред на автомобила.

Пробиване на нов отвор

2. Изберете площ в средата на покрива, между две надлъжни опори.
3. Маркирайте позицията и размера на отвора (400 × 400 mm).

фиг. 5 на страница 4

4. Пробийте отвори в ъглите (A).



ВНИМАНИЕ! Опасност от повреда

Уверете се, че няма повредени електрически кабели. Проверете къде се намират електрическите кабели.

 **фиг. 6** на страница 5

5. Внимателно изрежете отвора в покрива с тънък трион или подобен инструмент **(B)**.
6. Проверете дали е необходимо усиляване на отвора в покрива.
7. Ако е необходимо, отстранете пяната, за да осигурите поставянето на усиливащите релси (не са в обхвата на доставката) с цялата им ширина **(A)**.

 **фиг. 7** на страница 5

8. Монтирайте усиливащите релси **(B)**.

Инсталиране в съществуващ отвор

9. Отстранете всички болтове и закрепвания на съществуващия люк или старата климатична инсталация.

 **фиг. 8** на страница 5

10. Извадете люка или покривната климатична инсталация.
11. Отстранете уплътнението около отвора с шпакла или подобен инструмент.

 **фиг. 9** на страница 5**Разполагане на свързващите кабели**

12. Проверете дали напрежението, показано на табелката с данните на покривния климатик е същото като това на захранването. Покривният климатик трябва да е свързан с електрическа верига, способна да провежда изисквания ток (Технически данни).
13. Уверете се, че електрозахранването има прекъсвач на остатъчния ток (< 30 mA). Ако липсва, монтирайте прекъсвача с остатъчен ток.
14. Монтирайте изключващ превключвател с ширина на контактния процеп най-малко 3 mm от страната за инсталиране.
15. Изберете сечението на кабелите в зависимост от дължината:
 - Дължина < 7.5 m: 1,5 mm²
 - Дължина > 7.5 m: 2,5 mm²
16. Направете отвор от едната страна, за да прекарате кабела за електрозахранване.

 **фиг. 10** на страница 5

17. Вкарайте захранващия кабел през отвора във вътрешността на автомобила.

Монтиране на модула на покрива

18. Уплътнете около долната част на рамката на покрива с гъвкав, неутвърдяващ бутилов уплътнителен компаунд (напр. SikaLastomer-710, Selleys Butyl Mastic, Bostik ezycaulk butyl sealant, или друг подобен продукт). Спазвайте инструкциите на производителя на уплътнението.

 **фиг. 11** на страница 5

19. Ориентируйте рамката на покрива според размера на отвора.
20. Поставете рамката в отвора на покрива.

 **фиг. 12** на страница 6

21. Вдигнете покривния модул на покрива на автомобила. Спазвайте посоката на движение.
22. Поставете покривния модул в рамката на покрива и се подравнете в канала на рамката на покрива. За да се подравните в канала на рамката на покрива, използвайте ъглите в предната част на рамката на покрива.

Електрическо свързване

23. Свържете захранващия кабел.

 **фиг. 13** на страница 7

- a) Свържете кабелите (1) към клемата (2).
 - b) Свържете покривната климатична инсталация към захранването.
 - c) Свържете заземяващия кабел към заземителната система на автомобила.
24. **Само механични модели:** Свържете кабела между външното устройство и дифузера на въздушната кутия.
- a) Изтеглете леко филтъра, за да направите място за комуникационния кабел (3).
 - b) Вкарайте комуникационния кабел през отвора и поставете проводника в отвора.
 - c) Свържете 6-пиновия контакт на комуникационния кабел към клемата от страни на дисплея на ADB. Уверете се, че кабелът е разположен в малкия процеп, далеч от зоната на филтъра.
 - d) Закрепете излишната дължина на кабела с кабелни водачи.
25. **Само модели с фиксирана скорост и инвертор:** Свържете комуникационния кабел.
- a) Изтеглете леко филтъра, за да направите място за комуникационния кабел (4).
 - b) Вкарайте комуникационния кабел през процепа и поставете проводника в отвора.
 - c) Свържете 4-пиновия контакт на комуникационния кабел към клемата от страни на дисплея на ADB. Уверете се, че кабелът е разположен в малкия процеп, далеч от зоната на филтъра.
 - d) Закрепете излишната дължина на кабела с кабелни водачи.

Инсталиране на ADB

26. Подредете каналните секции и ги поставете срещу дебелината на покрива: Уверете се, че височината на канала съответства на височината на покрива или използвайте таблицата като ръководство.

 **фиг. 14** на страница 8

Дебелина на покрива	Брой секции на тръбопровода
25 ... 35 mm	1
35 ... 45 mm	2
45 ... 55 mm	3
55 ... 60 mm	4



УКАЗАНИЕ За по-дебели покриви могат да се закупят допълнителни секции.

27. Присъединете необходимия брой секции на тръбопровода към ADB.
28. Закрепете ADB към покрива през покривния модул с доставените 4 болта. Затегнете болтовете с динамометричен ключ и въртящ момент от 2.5 Nm ± 0.3 Nm.

 **фиг. 15** на страница 9

29. Избузгайте филтъра обратно изцяло навътре.

 **фиг. 16** на страница 9

30. Затворете централния капак на ADB.

 **фиг. 17** на страница 10

31. Попитайте производителя на автомобила дали след инсталирането на климатичната инсталация е необходима техническа инспекция и дали трябва да се промени височината на автомобила, записана в документите:
- FreshJet FJX4233, FreshJet FJX4333, FreshJet FJX7333: Повишена височина 225 mm
 - FreshJet FJX7337: Повишена височина 242 mm
 - FreshJet FJX7457: Повишена височина 283 mm

✓ Инсталацията е завършена.

Свържете се към захранването и проверете дали климатикът на покрива работи.

12 Схеми на окабеляване

FJX4233M

 **фиг. 18** на страница 10

FJX4233E, FJX4333E(EN), FJX7333INP

 **фиг. 19** на страница 11

FJX7333INP

 **фиг. 20** на страница 11

FJX7337INP, FJX7457INP

 **фиг. 21** на страница 12

ADB

 **фиг. 22** на страница 12

13 Изхвърляне




Когато е възможно, изхвърляйте опаковъчните материали е съответни съдове за рециклиране. Консултирайте се с местен център за рециклиране или с продавача за правилното изхвърляне на продукта в съответствие с действащите предписания.



Пазете околната среда! Не изхвърляйте батерии в битовия боклук. Предавайте дефектни или изхабени батерии в търговската система или в сборен пункт.

14 Технически данни

 **фиг. 23** на страница 13  **фиг. 24** на страница 13  **фиг. 25** на страница 13

 **фиг. 26** на страница 14

Съдържа флуорирани парникови газове. Херметически затворено съоръжение.

С настоящото Dometic декларира, че това радиооборудване е в съответствие с Директива 2014/53/ЕС. Пълният текст на Декларацията за съответствие на ЕС е достъпен на следния интернет адрес <http://documents.dometic.com>.

	FreshJet FJX4233M
Капацитет на охлаждане според ISO 5151:	1500 W

	FreshJet FJX4233M
Входящо напрежение за променлив ток:	220 V ... 240 V / 50 Hz
Номинален ток при охлаждане:	3,1 A
Изискван предпазител:	Мин. 4 А, макс. 16 А
Диапазон на работна температура:	-2 °C ... 52 °C
Хладилен агент:	R410a
Количество на хладилния агент:	380 g
CO ₂ еквивалент:	0,793 t
Потенциал за затопляне на атмосферата (GWP):	2088
Клас на защита (модул на покрива):	IPX4
Ниво на шума (най-висока настройка на вентилатора)	< 70 dB(A)
Честота	2,4 GHz
Максимална мощност на радио честота	19,14 dBm
Препоръчан макс дължина на превозното средство (с изолирани стени):	≤ 5 m
Размери ДхШхВ:	фиг. 23
Тегло:	< 30 kg
Инспекция/сертифициране:	CE UK

	FreshJet FJX4233EEH	FreshJet FJX4333EEH	FreshJet FJX4333E
Капацитет на охлаждане според ISO 5151:	1700 W	2200 W	2200 W
Капацитет на нагряване според ISO 5151:	800 W	1000 W	-
Входящо напрежение за променлив ток:	220 V ... 240 V / 50 Hz		
Номинален охлаждащ ток:	3,4 A	4,6 A	4,6 A
Номинален ток на нагряване:	3,7 A	4,4 A	-
Изискван предпазител:	Мин. 4 А, макс. 16 А	Мин. 5 А, макс. 16 А	Мин. 5 А, макс. 16 А
Диапазон на работна температура:	-2 °C ... 52 °C		
Хладилен агент:	R32		
Количество на хладилния агент:	320 g	360 g	360 g

BG Dometic FJX

	FreshJet FJX4233EEH	FreshJet FJX4333EEH	FreshJet FJX4333E
CO ₂ еквивалент:	0,216 t	0,243 t	0,243 t
Потенциал за затопляне на атмосферата (GWP):	675		
Клас на защита (модул на покрива):	IPX4		
Ниво на шума (най-висока настройка на вентилатора)	< 70 dB(A)		
Честота	2,4 GHz		
Максимална мощност на радио честота	19,14 dBm		
Препоръчан макс дължина на превозното средство (с изолирани стени):	≤ 6 m	≤ 7 m	≤ 7 m
Размери ДхШхВ:	фиг. 24		
Тегло:	< 30 kg	< 30 kg	< 30 kg
Инспекция/сертифициране:	CE UK		

	FreshJet FJX7333IHP	FreshJet FJX7337IHP	FreshJet FJX7457IHP
Капацитет на охлаждане според ISO 5151:	2200 W	3000 W	3500 W
Капацитет на нагряване според ISO 5151:	2000 W	2500 W	3000 W
Входящо напрежение за променлив ток:	220 V ... 240 V / 50 Hz ... 60 Hz		
Номинален ток при охлаждане:	< 5,9 A	< 7,3 A	< 7,5 A
Номинален ток при нагряване:	< 3,7 A	< 5,9 A	< 6,5 A
Изискван предпазител:	Мин. 6 А, макс. 16 А	Мин. 8 А, макс. 16 А	Мин. 8 А, макс. 16 А
Диапазон на работна температура:	-2 °C ... 52 °C		
Хладилен агент:	R32		
Количество на хладилния агент:	400 g	480 g	650 g
CO ₂ еквивалент:	0,270 t	0,324 t	0,439 t
Потенциал за затопляне на атмосферата (GWP):	675		
Клас на защита (модул на покрива):	IPX4		
Ниво на шума (най-висока настройка на вентилатора)	< 70 dB(A)		
Честота	2,4 GHz		

	FreshJet FJX7333IHP	FreshJet FJX7337IHP	FreshJet FJX7457IHP
Максимална мощност на радио честота	19,14 dBm		
Препоръчан макс. дължина на превозното средство (с изолирани стени):	≤ 7 m	≤ 7 m	> 8 m
Размери ДхШхВ:	фиг. 24	фиг. 25	фиг. 26
Тегло:	< 30 kg	< 35 kg	< 40 kg
Инспекция/сертифициране:	CE UK		

Eesti keel

1	Olulised märkused.....	264
2	Sümbolite selgitus.....	264
3	Sihtrühmad.....	265
4	Ohutusjuhised.....	265
5	Tarnepakki.....	266
6	Lisatarvikud.....	266
7	Kasutusotstarve.....	267
8	Mudelite loend.....	267
9	Seadmel olevate sümbolite selgitus.....	268
10	Tehnilised piirid ja tingimused.....	268
11	Paigaldamine.....	268
12	Elektriskeemid.....	272
13	Kõrvaldamine.....	273
14	Tehnilised andmed.....	273

1 Olulised märkused

Lugege see juhend tähelepanelikult läbi ja järgige kõiki esitatud juhiseid, suuniseid ja hoiatusi, et tagada alati toote õigesti paigaldamine, kasutamine ning hooldamine. See juhend PEAB jääma selle toote juurde.

Toote kasutamisega kinnitate, et olete kõik juhised, suunised ja hoiatused tähelepanelikult läbi lugunud ning mõistate ja nõustute järgima nendes sätestatud tingimusi. Nõustute kasutama seda toodet üksnes ettenähtud eesmärgil ja otstarbel ning kooskõlas kasutusjuhendis sätestatud juhiste, suuniste ja hoiatustega, samuti kooskõlas kõigi kohaldatavate õigusaktide ja eeskirjadega. Siin sätestatud juhiste ja hoiatuste lugemise ja järgimise eiramine võib põhjustada vigastusi teile ja kolmandatele isikutele, kahjustada teie toodet või läheduses asuvat muud vara. Toote kasutusjuhendit, sh juhiseid, suuniseid ja hoiatusi, ning seotud dokumente võidakse muuta ja uuendada. Värskeima tooteteabe leiate veebisaidilt documents.dometic.com.

2 Sümbolite selgitus



OHT!

viitab ohtlikule olukorrale, mis eiramise korral lõpeb surma või raske vigastusega.



HOIATUS!

viitab ohtlikule olukorrale, mis eiramise korral võib lõppeda surma või raske vigastusega.



ETTEVAATUST!

viitab ohtlikule olukorrale, mis eiramise korral võib lõppeda kerge või keskmise vigastusega.



TÄHELEPANU!

Viitab ohtlikule olukorrale, mis eiramise korral võib lõppeda varalise kahjuga.



MÄRKUS Lisateave toote käitamiseks.

3 Sihtrühmad



Elektriühenduse peab looma kvalifitseeritud elektrik, kes on tõestanud oma oskusi ja teadmisi elektrisüsteemi ülesehituse ja töö ning paigaldamise osas ja kes on läbinud ohutusalase koolituse, et tuvastada ja vältida vastavaid ohtusid.



Mehaanilise paigaldamise peab teostama kvalifitseeritud isik, kes tunneb seadme konstruktsiooni ja töö-põhimõtet ning teab sellega kaasnevat ohte.

4 Ohutusjuhised



HOIATUS! Nende hoiatuste mittejärgimine võib põhjustada raskeid vigastusi või surma.

- Seadet tohivad remontida ainult kvalifitseeritud töötajad, kes tunnevad seotud riski ja kehtivaid määrsi. Valed remonditööd võivad tekitada suurt kahju. Remontimiseks võtke ühendust teie riigis asuva hoolduskeskusega (vt dometic.com/dealer).
- Seade tuleb paigaldada kooskõlas riiklike elektripaigaldistele ja juhtmetikele kehtivate määrustega.
- **Elektriseadmed ei ole mänguasjad.** Hoidke elektriseadmed vaegustega inimeste ja eelkõige laste käeulatuses eemal. Ärge lubage neil elektriseadmeid ilma järelevalveta kasutada.
- Inimesed, kelle füüsilised, meelelised või vaimsed võimed või kogemuse ja teadmiste puudus ei võimalda neil seadet ohutult kasutada, ei tohiks seda ilma vastutava isiku järelevalveta või juhendamise ta teha.
- **Ärge** võtke tulekahju korral seadme ülemist katet lahti. Kasutage sobivaid tulekustutusvahendeid. Ärge kasutage tulekahju kustutamiseks vett.
- Seadet tuleb hoida ruumis, kus ei kasutata püsivalt lahtist leeki (näiteks töötav gaasiseade) ja süütealilikaid (näiteks elektriradiaatori kasutamine).
- Seadet tuleb hoida horisontaalasendis kuivas, ventileeritud ja suletud kohas.
- Ärge tehke seadmesse auke ega kõrvetage seda.
- Pange tähele, et külmaained võivad olla lõhnutud.
- Katusekliimaseade tuleb paigaldada sõidukisse, mille põrandapind on suurem kui 4 m².



ETTEVAATUST! Nende ettevaatusabinõude mittejärgimine võib põhjustada kergeid või mõõdukaid vigastusi.

- Kasutage seda seadet ainult siis, kui olete veendunud, et korpus ega kaablid pole kahjustatud.
- Ärge kasutage seadet tuleohtlike vedelike lähedal ega suletud ruumides.
- Veenduge, et õhu väljalaskeavade läheduses ei hoistataks ega nende läheduses poleks paigaldatud süttivaid esemeid. Hoida tuleb vähemalt 50 cm vahemaad.
- Ärge pange kätt õhu väljalaskeavadesse ega pistke võõrkehi seadmesse.
- Alati kandke kaitseprille ja -kindaid.



TÄHELEPANU! Kahjustuste oht

- Seade töötab optimaalselt temperatuuril 1020 mbar.
- Seadet tuleb hoida nii, et see oleks mehaaniliste kahjustuste eest kaitstud.
- Enne paigaldamist kontrollige, kas sõiduki mis tahes komponentidest võib seadme paigaldamise tõttu kahjustada saada (nt lambid, kapid, ukсед). Sõiduki tootja võib olla juba ette näinud punktid, kuhu saab teha ava seadme paigaldamiseks ilma konstruktsiooni tugevust ohustamata ja elektri kaablaid läbi löökamata.
- Enne paigaldamist konsulteerige sõiduki tootjaga, kas konstruktsioon sobib staatilise koormuse ja katusekliimaseadme raskuse jaoks, kui sõiduk liigub.
- Veenduge, et katuseraam oleks katuse jaoks sobivalt tihendatud.
- Paigaldamiseks valige sile ja piisavalt horisontaalne piirkond sõiduki katuse keskel kahe pikisuunalise osa vahel.
- Paigalduspinna katuse kalle ei tohi olla suurem kui 10 °.
- Veenduge, et sõidukis ei oleks esemeid, mis võivad õhuhajutuskesti kinnituse kinni katta või jahutatud õhu liikumist läbi liikuvate õhuhajutusotsakute takistada.
- Ärge muutke ega teisendage seadet.
- Kunagi ärge sõitke läbi automaatsete autoposulate, kui seade on paigaldatud.
- Külmaainekontuuri rikete tekkimisel tuleb eriettevõttel lasta süsteemi kontrollida ja nõuetekohaselt parandada.
- Külmaaine ei tohi õhku sattuda.
- Küsige sõiduki tootjalt, kas sõiduki dokumentidesse kantud kõrgust tuleks katusekliimaseadme paigaldamise tõttu muuta.

5 Tarnepakk

joon. 1 leheküljel 3 joon. 2 leheküljel 3

Nr joon. 1, joon. 2	Total	Tähistus
1	1	Katusemoodul
2	1	Katuseraam
3	1	Õhuhajutuskest (ADB)
4	1	ADB keskmine kate
5	4	Kanali osad
6	3	Kaablikonektorid
7	4	Kinnituspoldid
8	1	Kasti kate
9	1	Ainult mõnel mudelil: Kaugjuhtimispuul

6 Lisatarvikud

Lisatarvikutena on olemas (ei sisaldu tarnepakis):

Tähistus	Tootenr
Kanali pikendamise osad (iga osa katab lisaks 10 mm)	4450017931
Pikemad kinnituspoldid M6 x 160 mm (katuse paksusele 60 ... 120 mm)	4450012023
Õhupuhastusseade	4450029486
Elektriradiaator	4450029487
ADB-ümburstuli	4450029488
Filtrid seadmele FreshJet FJX4233M	4450024007 4450024008
Filtrid seadmele FreshJet FJX4233EEH/FJX4333E(EH)/FJX7333IHP/FJX7337IHP/FJX7457IHP	4450025683

7 Kasutusotstarve

Kliimaseade on loodud ainult haagissuvilate või vabaajasõidukite katusele paigaldamiseks, et võimaldada soojendamist ja jahutamist.

Katusekliimaseade **ei** sobi kasutamiseks rongides, majades ja korterites. Katusekliimaseade **ei** sobi paigaldamiseks ehitusmasinatesse, põllumajandusmasinatesse ja muudesse sarnastesse kohtadesse.

See toode sobib kasutamiseks üksnes ettenähtud otstarbel ja käesolevas kasutusjuhendis toodud valdkonnas.

Käesolev juhend sisaldab teavet, mis on vajalik toote korrektseks paigaldamiseks ja/või kasutamiseks. Halva paigalduse ja/või valesti kasutamise või hooldamise korral halvenevad tööomadused ja võib tekkida rike.

Tootja ei võta vastutust mis tahes kahju või tootekahjustuse eest, mis on tingitud mõnest järgmisest asjaolust:

- valesti paigaldamine, kokkupanek või ühendamine, sh liigpinge;
- valesti hooldamine või tootja poolt ette nähtud originaalvaruosadest erinevate varuosade kasutamine;
- tootel ilma tootja selge loata tehtud muudatused;
- kasutamine otstarbel, mida ei ole kasutusjuhendis kirjeldatud.

Dometic jätab endale õiguse muuta toote välimust ja tehnilisi näitajaid.

8 Mudelite loend

Mudelid on jagatud mehaanilisteks, püsiva kiiruse ja inverteriga mudeliteks.

Alljärgnevas tabelis on näidatud, millised funktsioonid kindlatel mudelitel on:

- omadus on saadaval
- omadus on lisatav

	FJX4233M	FJX4233EEH	FJX4333EEH	FJX4333E	FJX7333IHP	FJX7337IHP	FJX7457IHP
	Mehaaniline	Püsiv kiirus			Inverter		
Automaatne		●	●	●	●	●	●
Jahutamine	●	●	●	●	●	●	●
Soojendamine		●	●	○	●	●	●
Ventilatsioon	●	●	●	●	●	●	●
Kuivatamine		●	●	●	●	●	●
Õhupuhas- tusseade	○	●	●	○	●	●	●
ADB-tuli		●	●	○	●	●	●
Välituli					●	●	●
Käivituskell		●	●	●	●	●	●
Uni		●	●	●	●	●	●
Sujuvkäiviti			●	○	●	●	●

9 Seadmel olevate sümbolite selgitus



Tähelepanu! Aeglaselt põlev materjal.



Lugege kasutusjuhendit.



Lugege hooldusjuhendit.

10 Tehnilised piirid ja tingimused

Katusekliimaseade on ette nähtud paigaldamiseks sõidukitele, mille katuse paksus on 25 mm ... 60 mm. Katusekliimaseade töötab ümbritseva temperatuuri vahemikus -2 °C ... 52 °C. Katusekliimaseade on loodud paigaldamiseks hälbega horisontaaljoonest kuni ± 10 °.

11 Paigaldamine



OHT! Elektrilöögi oht

- Vabaajasadukis peab elektriühenduse looma kvalifitseeritud elektrik, kes on tõestanud oma oskusi ja teadmisi elektrisüsteemi ülesehituse ja töö ning paigaldamise osas ja kes on läbinud ohutusalase koolituse, et tuvastada ja vältida vastavaid ohtusid.

- Ühendage kogu toide, sh inverter, katusekliimaseadmel tööde tegemise ajaks välja.
- Veenduge, et seadme toidet ei saaks paigaldamise ega hoolduse ajal uuesti ühendada.



HOIATUS! Elektrilöögi oht

- Seade tuleb paigaldada kooskõlas riiklike juhtmistekiele kehtivate määrustega.
- Püsijuhtmestik peab vastavate eeskirjade järgi sisaldama järgmisi komponente. Kõikide pooluste lahklüliti, millel on kõigil poolustel vähemalt 3 mm ruumi; kui lekkevool võib ületada 10 mA, tuleb paigaldada jääkvooluseade (RCD), mille nimi-jääkvool ei ületa 30 mA; lahklüliti.
- Kui seade asendab akna või luugi, millel on ohutuse jaoks oluline ventilatsioonifunktsioon, tuleb paigaldada lisaks ventilatsiooniseade (nt seenekujuline ventilaator või sarnane). Kahtluse korral konsulteerige sõiduki tootjaga.
- Pärast katusekliimaseadme paigaldamist peab katusekliimaseadme lähedal olev väljalasketoru olema seadmest vähemalt 10 cm kõrgemal. Vajaduse korral pikendage väljalasketoru. Järgige kütteseadme tootja juhiseid.



ETTEVAATUST! Vigastusoht

- Katusekliimaseadme vale paigaldus võib tekitada pöördumatut kahju seadmele ja seada kasutaja turvalisuse ohtu.
- Võtke katusekliimaseadme kandmisel või tõstmisel alati keegi appi.
- Enne paigaldamist kontrollige seadme paigaldamise asukohta valikul olemasolevaid juhtmekimpe, juhtmeid ja muid paigalduskohas olevaid komponente, eriti neid, mis pole nähtaval (puurimisel, kruvide kinnitamisel jne).
- Kinnitage ja paigaldage kaablid nii, et nende otsa ei komistataks ega need ei saaks kahjustada.
- Alati kandke kaitseprille ja -kindaid.



TÄHELEPANU! Kahjustuste oht

- Seade on tihendatud süsteem, millel on suletud külmaainekontuur. Ärge seda avage ega muutke, kui te pole vastava kvalifikatsiooniga tehnik.
- Kasutage kaablite paigaldamiseks läbi teravate servadega seinte kaablikanaleid.
- Ärge paigaldage lahtiseid ega painutatud kaableid elektrit juhtivate materjalide (metalli) lähedusse.
- Ärge tirige kaableid.
- Kontrollige, et kaablid ei oleks kulunud, korrodeerunud, liigse surve all, ei vibreeriks liigselt ning et need ei oleks veetud üle teravate servade ja neile ei avalduks mis tahes muid mõjusid. Kontrollimisel võtke arvesse ka vananemist ning näiteks kompressoritest või ventilaatoritest tingitud pidevat vibratsiooni.
- Pidage kinni sõiduki katuse konstruktsiooni tugevusest. Sõiduki katus peab suutma sissevajumata ja deformeerumata kanda katusekliimaseadme kaalu. Kahtluse korral konsulteerige sõiduki tootjaga.



MÄRKUS

- Seadme andmed leiate jaotisest Tehnilised andmed ja järgmistelt andmeplaatidelt.
- Katusemooduli andmeplaat joon. **3**
- ADB andmeplaat joon. **4**



Katusekliimaseadmete kohta leiате lisateavet kasutusjuhendist, näiteks tehnilise kirjelduse ja teabe juhtseadiste kohta, vt qr.dometic.com/bdjN0x.



joon. 3 leheküljel 4 **joon. 4** leheküljel 4

1. Valige katusekliimaseadme paigaldamise viis.

- Tehke uus ava. Sellisel juhul tuleb ava sobiva raami abil tugevdada.
- Kasutage sõiduki olemasolevat ava, näiteks katuseluuki, või asendage vana katusekliimaseade.
- Veenduge, et jätaksite järgmise vaba ruumi.

Mudel	Objekti kõrgus < 60 mm	Objekti kõrgus > 60 mm			
	Kõik neli külge	Parem	Vasak *	Tagakülg *	Esikülg
FJX4333EEH	50 mm	150 mm	150 mm	150 mm	150 mm
FJX7333IHP	50 mm	150 mm	150 mm	150 mm	150 mm
FJX7337IHP	50 mm	300 mm	150 mm	150 mm	150 mm
FJX7457IHP	50 mm	300 mm	150 mm	150 mm	150 mm

* Selles kontekstis mõistetakse vasakut ja paremat sõiduki esiosast seadme poole vaadates.

- Veenduge, et jätaksite järgmise vaba ruumi.

* Selles kontekstis mõistetakse vasakut ja paremat sõiduki esiosast seadme poole vaadates.

Uue ava tegemine

2. Valige katuse keskel piirkond kahe pikisuunalise toe vahel.
3. Märgistage ava asukoht ja suurus (400 × 400 mm).

joon. 5 leheküljel 4

4. Puurige nurgad läbi (A).



TÄHELEPANU! Kahjustuste oht

Veenduge, et elektritoitekaablid ei saaks kahjustada. Kontrollige, kus elektrikaablid asuvad.

joon. 6 leheküljel 5

5. Lõigake ava jõhvsaie või sarnase tööriista abil ettevaatlikult välja (B).
6. Kontrollige, kas katuseava vajab tugevdamist.
7. Vajaduse korral eemaldage vahtplast tugevdussiniide laiuse kohaselt (ei kuulu tarnekomplekti) (A).

joon. 7 leheküljel 5

8. Pange tugevdussiniid paika (B).

Olemasolevasse avasse paigaldamine

9. Eemaldage olemasolevalt katuseluugilt või kliimaseadmelt kõik kruvid ja kinnitused.

joon. 8 leheküljel 5

10. Võtke katusealuuk või katusekliimaseade välja.
11. Eemaldage ava ümbritsev tihendusvahend kaabitsa või sarnase tööriistaga.

 **joon. 9 leheküljel 5**

Ühenduskaablite paigutamine

12. Kontrollige, kas katusekliimaseadme andmeplaadile märgitud pingeniitajad kattuvad toiteallika andmetega. Katusekliimaseade tuleb ühendada elektriahelaga, mis suudab edastada vajalikku voolu (Tehnilised andmed).
13. Veenduge, et toitel oleks jääkvoolu kaitselüliti (< 30 mA). Kui seda pole, paigaldage jääkvoolu kaitselüliti.
14. Paigaldage kõikide pooluste lüliti kontaktavausega, mille laius on vähemalt 3 mm, paigaldise poolele.
15. Valige pikkuse järgi toitekaabli ristlõige.
 - Pikkus < 7,5 m: 1,5 mm²
 - Pikkus > 7,5 m: 2,5 mm²
16. Tehke ühele poolele ava, et toitekaabli saaks läbi suunata.

 **joon. 10 leheküljel 5**

17. Suunake toitekaabel läbi ava sõidukisse.

Katusemooduli paigaldamine

18. Tihendage katuseraami alumine külg elastse mittekövastuva butüülhermeetikuga (nt SikaLastomer-710, butüül-mastiks Selleys, butüülühend Bostik ezycaulk või sarnane toode). Järgige tihendusvahendi tootja juhiseid.

 **joon. 11 leheküljel 6**

19. Seadke katuseraam ava suuruse järgi paika.
20. Paigutage katuseraam katuseavasse.

 **joon. 12 leheküljel 6**

21. Tõstke katusemoodul sõiduki katusele. Pidage silmas sõidusuunda.
22. Paigutage katusemoodul katuseraami sisse ja joondage katuseraami soonega. Katuseraami soonega joondamiseks kasutage katuseraami esiosas olevaid nurki.

Elektriühendus

23. Ühendage toitekaabel.

 **joon. 13 leheküljel 7**

- a) Ühendage kaablid **(1)** kaablikonnektoriga **(2)**.
- b) Ühendage katusekliimaseade toitepingega.
- c) Ühendage maanduskaabel sõiduki maandussüsteemiga.
24. **Ainult mehaanilistel mudelitel.** Ühendage välise mooduli ja õhuhajutusasti vaheline kaabel.
 - a) Tõmmake filter pisut välja, et sidekaabli **(3)** jaoks vahe tekitada.
 - b) Suunake kaabel läbi selle vahe ja fikseerige juhe avasse.
 - c) Ühendage 6 kontaktiga sidepistik ADB ekraani küljel olevasse pesse. Veenduge, et kaabel oleks filtrist eemal väikeses avas.
 - d) Kinnitage liigne kaabel hoidikute külge.
25. **Ainult püsiva kiiruse ja inverteriga mudelid.** Ühendage sidekaabel.
 - a) Tõmmake filter pisut välja, et sidekaabli **(4)** jaoks vahe tekitada.
 - b) Suunake sidekaabel läbi selle vahe ja fikseerige juhe avasse.
 - c) Ühendage 4 kontaktiga sidepistik ADB ekraani küljel olevasse pesse. Veenduge, et kaabel oleks filtrist eemal väikeses avas.

d) Kinnitage liigne kaabel hoidikute külge.

ADB paigaldamine

26. Ühendage kanali osad ja pange vastu katuse paksust. Veenduge, et kanali kõrgus sobiks katuse kõrgusega või kasutage suunisena tabeli andmeid.

 **joon. 14 leheküljel 8**

Katuse paksus	Kanali osade arv
25 ... 35 mm	1
35 ... 45 mm	2
45 ... 55 mm	3
55 ... 60 mm	4



MÄRKUS Paksemate katuste jaoks on võimalik kanali osi lisaks osta.

27. Kinnitage vajalik arv kanali osi ADB-le.

28. Kinnitage ADB 4 kaasasoleva poldi abil läbi katusemooduli lakke. Keerake kruvid dünamomeetrilise võtmega jõumomendiga 2.5 Nm ± 0.3 Nm kinni.

 **joon. 15 leheküljel 9**

29. Lükake filter täielikult sisse tagasi.

 **joon. 16 leheküljel 9**

30. Pange keskmine kate ADB-le.

 **joon. 17 leheküljel 10**

31. Küsige sõiduki tootjalt, kas pärast katusekliimaseadme paigaldamist on vajalik tehniline ülevaatus ja kas sõiduki dokumentidesse kantud kõrgust tuleb muuta:

- FreshJet FJX4233, FreshJet FJX4333, FreshJet FJX7333: suurem kõrgus 225 mm
- FreshJet FJX7337: suurem kõrgus 242 mm
- FreshJet FJX7457: suurem kõrgus 283 mm

✓ Paigaldamine on nüüd lõpetatud.

Ühendage toitepinge ja testige, kas katusekliimaseade töötab.

12 Elektriskeemid

FJX4233M

 **joon. 18 leheküljel 10**

FJX4233E, FJX4333E(EH), FJX7333IHP

 **joon. 19 leheküljel 11**

FJX7333IHP

 **joon. 20 leheküljel 11**

FJX7337IHP, FJX7457IHP
 **joon. 21** leheküljel 12
ADB
 **joon. 22** leheküljel 12

13 Kõrvaldamine



Kui võimalik, pange pakkematerjal vastavasse ringlussevõetava prügi kasti. Küsige nõu kohalikust ringlussevõtukeskusest või edasimüüjalt, kuidas anda toode kehtivate jäätmekäitlusnõuetega kooskõlas jäätmekäitlusse.



Kaitske oma keskkonda! Ärge visake ühtki akut ega patareid olmeprügi hulka. Andke defektsed või kasutatud patareid edasimüüjale tagasi või viige need kogumispunkti.

14 Tehnilised andmed

 **joon. 23** leheküljel 13

 **joon. 24** leheküljel 13

 **joon. 25** leheküljel 13

 **joon. 26** leheküljel 14

Sisaldab fluoritud kasvuhoonegaase. Hermeetiliselt tihendatud seade.

Käesolevaga deklareerib Dometic, et see raadioseade vastab direktiivi 2014/53/EL nõuetele. ELi vastavusdeklaratsiooni täielik tekst on saadaval järgmisel internetiaadressil: <http://documents.dometic.com>.

	FreshJet FJX4233M
Standardil ISO 5151 põhinev jahutusvõimsus:	1500 W
Vahelduvvooluga sisendpinge:	220 V ... 240 V / 50 Hz
Jahutamise nimivool:	3,1 A
Vajalik kaitse	Min. 4 A, max. 16 A
Töötemperatuuride ulatus:	-2 °C ... 52 °C
Kasutatav külmaaine:	R410a
Külmaaine kogus:	380 g
CO ₂ ekvivalent:	0,793 t
Globaalse soojenemise potentsiaal (GSP):	2088
Kaitseklass (katusemoodul):	IPX4
Müratase (võimsaim ventilatori seade)	< 70 dB(A)
Sagedus	2,4 GHz
Maksimaalne raadiosageduse võimsus	19,14 dBm

	FreshJet FJX4233M
Soovitav sõiduki max pikkus (isoleeritud seintega):	≤ 5 m
Mõõtmed P x L x K	joon. 23
Kaal:	< 30 kg
Ülevaatus/sertifikaat	CE UK

	FreshJet FJX4233EEH	FreshJet FJX4333EEH	FreshJet FJX4333E
Standardil ISO 5151 põhinev jahutusvõimsus:	1700 W	2200 W	2200 W
Standardil ISO 5151 põhinev soojendusvõimsus:	800 W	1000 W	-
Vahelduvvooluga sisendpinge:	220 V ... 240 V / 50 Hz		
Jahutamise nimivool:	3,4 A	4,6 A	4,6 A
Soojendamise nimivool:	3,7 A	4,4 A	-
Vajalik kaitse	Min. 4 A, max. 16 A	Min. 5 A, max. 16 A	Min. 5 A, max. 16 A
Töötemperatuuride ulatus:	-2 °C ... 52 °C		
Kasutatav külmaaine:	R32		
Külmaaine kogus:	320 g	360 g	360 g
CO ₂ ekvivalent:	0,216 t	0,243 t	0,243 t
Globaalse soojenemise potentsiaal (GSP):	675		
Kaitseklass (katusemoodul):	IPX4		
Müratase (võimsaim ventilaatori seade)	< 70 dB(A)		
Sagedus	2,4 GHz		
Maksimaalne raadiosageduse võimsus	19,14 dBm		
Soovitav sõiduki max pikkus (isoleeritud seintega):	≤ 6 m	≤ 7 m	≤ 7 m
Mõõtmed P x L x K	joon. 24		
Kaal:	< 30 kg	< 30 kg	< 30 kg
Ülevaatus/sertifikaat	CE UK		

	FreshJet FJX7333IHP	FreshJet FJX7337IHP	FreshJet FJX7457IHP
Standardil ISO 5151 põhinev jahutusvõimsus:	2200 W	3000 W	3500 W
Standardil ISO 5151 põhinev soojendusvõimsus:	2000 W	2500 W	3000 W
Vahelduvvooluga sisendpinge:	220 V ... 240 V / 50 Hz ... 60 Hz		

	Freshjet FJX7333IHP	Freshjet FJX7337IHP	Freshjet FJX7457IHP
Jahutamise nimivool:	< 5,9 A	< 7,3 A	< 7,5 A
Soojendamise nimivool:	< 3,7 A	< 5,9 A	< 6,5 A
Vajalik kaitse	Min. 6 A, max. 16 A	Min. 8 A, max. 16 A	Min. 8 A, max. 16 A
Töötemperatuuride ulatus:	-2 °C ... 52 °C		
Kasutatav külmaaine:	R32		
Külmaaine kogus:	400 g	480 g	650 g
CO ₂ ekvivalent:	0,270 t	0,324 t	0,439 t
Globaalse soojenemise potentsiaal (GSP):	675		
Kaitseklass (katusemoodul):	IPX4		
Müratase (võimsaim ventilaatori seade)	< 70 dB(A)		
Sagedus	2,4 GHz		
Maksimaalne raadiosageduse võimsus	19,14 dBm		
Soovitav sõiduki max pikkus (isoleeritud seintega):	≤ 7 m	≤ 7 m	> 8 m
Mõõtmed P x L x K	joon. 24	joon. 25	joon. 26
Kaal:	< 30 kg	< 35 kg	< 40 kg
Ülevaatus/sertifikaat	CE UK		

Ελληνικά

1	Σημαντικές σημειώσεις.....	276
2	Επεξήγηση των συμβόλων.....	276
3	Ομάδες στόχος.....	277
4	Υποδείξεις ασφαλείας.....	277
5	Περιεχόμενα συσκευασίας.....	279
6	Πρόσθετος εξοπλισμός.....	279
7	Προβλεπόμενη χρήση.....	279
8	Λίστα μοντέλων.....	280
9	Επεξήγηση των συμβόλων στη συσκευή.....	281
10	Τεχνικά όρια και τεχνικές προϋποθέσεις.....	281
11	Εγκατάσταση.....	281
12	Διαγράμματα καλωδίωσης.....	286
13	Απόρριψη.....	286
14	Τεχνικά χαρακτηριστικά.....	287

1 Σημαντικές σημειώσεις

Παρακαλούμε να διαβάσετε προσεκτικά αυτές τις οδηγίες και να ακολουθήσετε όλες τις οδηγίες, τους κανονισμούς και τις προειδοποιήσεις που περιλαμβάνονται στο εγχειρίδιο αυτού του προϊόντος, έτσι ώστε να διασφαλίζεται πάντοτε η σωστή εγκατάσταση, χρήση και συντήρηση του προϊόντος. Αυτές οι οδηγίες ερμηνεύονται πάντοτε να συνοδεύουν το προϊόν.

Με τη χρήση του προϊόντος επιβεβαιώνεται δια του παρόντος ότι έχετε διαβάσει προσεκτικά όλες τις οδηγίες, τους κανονισμούς και τις προειδοποιήσεις καθώς και ότι έχετε κατανοήσει και συμφωνείτε να τηρήσετε τους όρους και τις προϋποθέσεις που ορίζονται στο παρόν έγγραφο. Συμφωνείτε να χρησιμοποιείτε αυτό το προϊόν μόνο για τον προβλεπόμενο σκοπό και την προβλεπόμενη χρήση, πάντοτε σύμφωνα με τις οδηγίες, τους κανονισμούς και τις προειδοποιήσεις που ορίζονται στο παρόν εγχειρίδιο προϊόντος καθώς και σύμφωνα με όλους τους ισχύοντες νόμους και κανονισμούς. Σε περίπτωση μη ανάγνωσης και τήρησης των οδηγιών και των προειδοποιήσεων που ορίζονται στο παρόν έγγραφο, ενδέχεται να προκληθούν τραυματισμοί σε εσάς τον ίδιο και σε τρίτους, ζημιά στο προϊόν σας ή υλικές ζημιές σε άλλες ιδιοκτησίες στο άμεσο περιβάλλον. Αυτό το εγχειρίδιο προϊόντος, συμπεριλαμβανομένων των οδηγιών, των κανονισμών, των προειδοποιήσεων και των σχετικών εγγράφων, ενδέχεται να υποβληθεί σε τροποποιήσεις και ενημερώσεις. Για ενημερωμένες πληροφορίες για το προϊόν, επισκεφθείτε την ηλεκτρονική διεύθυνση documents.dometic.com.

Με τη χρήση του προϊόντος επιβεβαιώνεται δια του παρόντος ότι έχετε διαβάσει προσεκτικά όλες τις οδηγίες, τους κανονισμούς και τις προειδοποιήσεις καθώς και ότι έχετε κατανοήσει και συμφωνείτε να τηρήσετε τους όρους και τις προϋποθέσεις που ορίζονται στο παρόν έγγραφο. Συμφωνείτε να χρησιμοποιείτε αυτό το προϊόν μόνο για τον προβλεπόμενο σκοπό και την προβλεπόμενη χρήση, πάντοτε σύμφωνα με τις οδηγίες, τους κανονισμούς και τις προειδοποιήσεις που ορίζονται στο παρόν εγχειρίδιο προϊόντος καθώς και σύμφωνα με όλους τους ισχύοντες νόμους και κανονισμούς. Σε περίπτωση μη ανάγνωσης και τήρησης των οδηγιών και των προειδοποιήσεων που ορίζονται στο παρόν έγγραφο, ενδέχεται να προκληθούν τραυματισμοί σε εσάς τον ίδιο και σε τρίτους, ζημιά στο προϊόν σας ή υλικές ζημιές σε άλλες ιδιοκτησίες στο άμεσο περιβάλλον. Αυτό το εγχειρίδιο προϊόντος, συμπεριλαμβανομένων των οδηγιών, των κανονισμών, των προειδοποιήσεων και των σχετικών εγγράφων, ενδέχεται να υποβληθεί σε τροποποιήσεις και ενημερώσεις. Για ενημερωμένες πληροφορίες σχετικά με το προϊόν, επισκεφθείτε την ηλεκτρονική διεύθυνση documents.dometic.com.

2 Επεξήγηση των συμβόλων



ΚΙΝΔΥΝΟΣ!

Καταδεικνύει μια επικίνδυνη κατάσταση, η οποία εάν δεν αποτραπεί, θα προκληθεί θανατηφόρο ατύχημα ή σοβαρός τραυματισμός.



ΠΡΟΕΙΔΟΠΟΙΗΣΗ!

Καταδεικνύει μια επικίνδυνη κατάσταση, η οποία εάν δεν αποτραπεί, μπορεί να προκληθεί θανατηφόρο ατύχημα ή σοβαρός τραυματισμός.

**ΠΡΟΦΥΛΑΞΗ!**

Καταδεικνύει μια επικίνδυνη κατάσταση, η οποία εάν δεν αποτραπεί, μπορεί να προκληθεί μικρή ή μέτριας σοβαρότητας τραυματισμός.

**ΠΡΟΣΟΧΗ!**

Καταδεικνύει μια κατάσταση, η οποία εάν δεν αποτραπεί, μπορεί να προκληθούν υλικές ζημιές.



ΥΠΟΔΕΙΞΗ Συμπληρωματικά στοιχεία για τον χειρισμό του προϊόντος.

3 Ομάδες στόχος



Η σύνδεση της τροφοδοσίας ηλεκτρικού ρεύματος πρέπει να πραγματοποιείται από έναν εξειδικευμένο ηλεκτρολόγο, ο οποίος διαθέτει αντίστοιχη κατάρτιση και επαρκείς γνώσεις σχετικά με την κατασκευή και τον χειρισμό ηλεκτρικού εξοπλισμού και ηλεκτρικών εγκαταστάσεων και έχει λάβει εκπαίδευση ασφαλείας για την αναγνώριση και την αποφυγή των σχετικών κινδύνων.



Η μηχανολογική εγκατάσταση πρέπει να πραγματοποιείται από ειδικευμένο προσωπικό, το οποίο είναι εξοικειωμένο με την κατασκευή και τη λειτουργία του εξοπλισμού καθώς και τους σχετικούς κινδύνους.

4 Υποδείξεις ασφαλείας



ΠΡΟΕΙΔΟΠΟΙΗΣΗ! Η μη τήρηση αυτών των προειδοποιήσεων ενδέχεται να έχει ως αποτέλεσμα την πρόκληση θανάτου ή σοβαρού τραυματισμού.

- Η επίσκεψη της συσκευής πρέπει να πραγματοποιείται μόνο από εξειδικευμένο προσωπικό που είναι εξοικειωμένο με τους αντίστοιχους κινδύνους και τους σχετικούς κανονισμούς. Σε περίπτωση μη ενδεδειγμένων επισκευών, ενδέχεται να προκληθούν σοβαροί κίνδυνοι. Για υπηρεσίες επισκευής, επικοινωνήστε με το κέντρο σέρβις της χώρας σας (βλέπε dometic.com/dealer).
- Η συσκευή πρέπει να τοποθετείται σύμφωνα με τους εθνικούς κανονισμούς ηλεκτρολογικών και μηχανολογικών εγκαταστάσεων.
- **Οι ηλεκτρικές συσκευές δεν είναι παιχνίδια.** Διατηρήστε τις ηλεκτρικές συσκευές μακριά από παιδιά ή άτομα με μειωμένες σωματικές ικανότητες. Μην τους επιτρέψετε να χρησιμοποιούν ηλεκτρικές συσκευές χωρίς επίβλεψη.
- Άτομα, τα οποία λόγω των φυσικών, αισθητηριακών ή πνευματικών ικανοτήτων τους καθώς και λόγω απειρίας ή έλλειψης γνώσεων δεν είναι σε θέση να χρησιμοποιούν τη συσκευή με ασφάλεια, δεν επιτρέπεται να χρησιμοποιούν αυτή τη συσκευή χωρίς την επίβλεψη ή την καθοδήγηση ενός υπεύθυνου ατόμου.
- **Μην αφαιρέσετε το επάνω κάλυμμα της συσκευής σε περίπτωση πυρκαγιάς.** Χρησιμοποιήστε εγκεκριμένα μέσα κατάσβεσης. Μην χρησιμοποιείτε νερό για την πυρόσβεση.
- Η συσκευή πρέπει να αποθηκεύεται σε εσωτερικό χώρο χωρίς γυμνές φλόγες (όπως για παράδειγμα μια ενεργή συσκευή αερίου) και πηγές ανάφλεξης συνεχούς λειτουργίας (όπως για παράδειγμα μια ενεργή ηλεκτρική συσκευή θέρμανσης).
- Η συσκευή πρέπει να αποθηκεύεται σε οριζόντια θέση, σε ένα αεριζόμενο και καλυμμένο σημείο, χωρίς υγρασία.

- Δεν επιτρέπεται η διάτρηση ή η καύση της συσκευής.
- Λάβετε υπόψη ότι τα ψυκτικά μέσα ενδέχεται να είναι άοσμα.
- Το κλιματιστικό οροφής επιτρέπεται να τοποθετείται σε οχήματα με περιοχή δαπέδου μεγαλύτερη από 4 m².



ΠΡΟΦΥΛΑΞΗ! Η μη τήρηση αυτών των συστάσεων ενδέχεται να έχει ως αποτέλεσμα την πρόκληση ελαφρού ή μέτριου τραυματισμού.

- Χρησιμοποιήστε τη συσκευή μόνο εάν είστε βέβαιος, ότι το περίβλημα και τα καλώδια δεν έχουν υποστεί ζημιά.
- Μη χρησιμοποιείτε τη συσκευή κοντά σε εύφλεκτα υγρά ή σε κλειστούς χώρους.
- Βεβαιωθείτε ότι δεν αποθηκεύονται ή τοποθετούνται εύφλεκτα αντικείμενα κοντά στην έξοδο αέρα. Πρέπει να τηρείται απόσταση τουλάχιστον 50 cm.
- Μη βάζετε τα χέρια σας μέσα σε εξόδους αέρα και μην τοποθετείτε ξένα αντικείμενα μέσα στη συσκευή.
- Φοράτε πάντοτε προστατευτικά γυαλιά και γάντια.



ΠΡΟΣΟΧΗ! Κίνδυνος πρόκλησης ζημιάς

- Η συσκευή λειτουργεί βέλτιστα στα 1020 mbar.
- Η συσκευή πρέπει να αποθηκεύεται κατά τέτοιο τρόπο, ώστε να αποτρέπεται η πιθανότητα πρόκλησης μηχανικής ζημιάς.
- Πριν από την τοποθέτηση της συσκευής, ελέγξτε εάν υπάρχει κίνδυνος πρόκλησης ζημιάς σε εξαρτήματα του οχήματος από την τοποθέτηση της συσκευής (π.χ. σε λαμπτήρες, ντουλάπια, πόρτες). Ο κατασκευαστής του οχήματος ενδέχεται να έχει ήδη προβλέψει σημεία, στα οποία μπορεί να πραγματοποιηθεί το άνοιγμα για την τοποθέτηση της συσκευής, χωρίς να προκληθεί κίνδυνος εξασθένησης της δομικής κατασκευής ή κοπής καλωδίων τροφοδοσίας.
- Πριν από την τοποθέτηση, βεβαιωθείτε μέσω σχετικής επικοινωνίας με τον κατασκευαστή του οχήματος ότι η δομική κατασκευή του οχήματος έχει σχεδιαστεί για το στατικό βάρος και τα φορτία του κλιματιστικού κατά την κίνηση του οχήματος.
- Βεβαιωθείτε ότι το πλαίσιο οροφής είναι στεγανοποιημένο σωστά προς την οροφή.
- Επιλέξτε μια επίπεδη και επαρκώς οριζόντια περιοχή στο κέντρο της οροφής του οχήματος, ανάμεσα σε δύο διαμήκη επιμέρους τμήματα για την τοποθέτηση.
- Η κλίση οροφής της επιφάνειας τοποθέτησης δεν επιτρέπεται να υπερβαίνει τις 10 °.
- Βεβαιωθείτε ότι δεν υπάρχουν αντικείμενα μέσα στο όχημα, τα οποία θα μπορούσαν να εμποδίσουν τη στερέωση του κουτιού διανομής αέρα ή τη ροή του ψυχρού αέρα μέσα από τα περιστρεφόμενα στόμια διανομής αέρα.
- Μη πραγματοποιείτε τροποποιήσεις ή μετατροπές στη συσκευή.
- Μη εισέρχετε ποτέ με το όχημα σε αυτόματα πλυντήρια αυτοκινήτων, όταν η συσκευή είναι τοποθετημένη.
- Σε περίπτωση βλάβης στο κύκλωμα ψυκτικού μέσου, το σύστημα πρέπει να ελεγχθεί από μια εξειδικευμένη εταιρεία και να επισκευαστεί με τον ενδεδειγμένο τρόπο.
- Το ψυκτικό μέσο δεν επιτρέπεται να απελευθερώνεται στον αέρα.
- Ρωτήστε τον κατασκευαστή του οχήματος εάν το ύψος που έχει καταχωρηθεί στα έγγραφα του οχήματός σας πρέπει να μεταβληθεί λόγω της τοποθέτησης του κλιματιστικού οροφής.

5 Περιεχόμενα συσκευασίας

 σχ. 1 στη σελίδα 3  σχ. 2 στη σελίδα 3

Αρ. στο σχ. 1, σχ. 2	Ποσότητα	Περιγραφή
1	1	Μονάδα οροφής
2	1	Πλαίσιο οροφής
3	1	Κουτί διανομής αέρα (ADB)
4	1	Κεντρικό κάλυμμα ADB
5	4	Τμήματα αγωγού
6	3	Σύνδεσμοι καλωδίων
7	4	Βίδες στερέωσης
8	1	Κάλυμμα κουτιού
9	1	Μόνο ορισμένα μοντέλα: Τηλεχειριστήριο

6 Πρόσθετος εξοπλισμός

Διαθέσιμος πρόσθετος εξοπλισμός (δεν περιλαμβάνονται στη συσκευασία):

Περιγραφή	Κωδικός
Τμήματα αγωγού προέκτασης (κάθε τμήμα καλύπτει επιπρόσθετα 10 mm)	4450017931
Μακρύτερες βίδες στερέωσης M6 x 160 mm (για πάχος οροφής 60 ... 120 mm)	4450012023
Σύστημα καθαρισμού αέρα	4450029486
Ηλεκτρικός θερμαντήρας	4450029487
Φωτισμός περιβάλλοντος ADB	4450029488
Φίλτρα για FreshJet FJX4233M	4450024007 4450024008
Φίλτρα για FreshJet FJX4233EEH/FJX4333E(EH)/FJX7333IHP/FJX7337IHP/FJX7457IHP	4450025683

7 Προβλεπόμενη χρήση

Το κλιματιστικό οροφής έχει σχεδιαστεί μόνο για τοποθέτηση στην οροφή τροχοσπιτων ή οχημάτων αναψυχής, με σκοπό την παροχή θέρμανσης και ψύξης.

Το κλιματιστικό οροφής **δεν** είναι κατάλληλο για τρένα, σπίτια και διαμερίσματα. Το κλιματιστικό οροφής **δεν** είναι κατάλληλο για τοποθέτηση σε μηχανήματα κατασκευαστικών έργων, αγροτικά μηχανήματα ή παρόμοιο εξοπλισμό.

Αυτό το προϊόν είναι κατάλληλο μόνο για τον προβλεπόμενο σκοπό και την προβλεπόμενη χρήση σύμφωνα με αυτές τις οδηγίες.

Αυτό το εγχειρίδιο παρέχει πληροφορίες που είναι απαραίτητες για τη σωστή εγκατάσταση και χρήση του προϊόντος. Τυχόν μη ενδεδειγμένη εγκατάσταση, χρήση ή/και συντήρηση θα έχει ως συνέπεια την ανεπαρκή απόδοση και ενδεχομένως την πρόκληση βλάβης.

Ο κατασκευαστής δεν αποδέχεται καμία ευθύνη για τυχόν τραυματισμούς ή ζημιές στο προϊόν, που οφείλονται σε:

- Λανθασμένη τοποθέτησης, συναρμολόγηση ή σύνδεση, συμπεριλαμβανομένης της υπερβολικά υψηλής τάσης
- Λανθασμένη συντήρηση ή χρήση μη αυθεντικών ανταλλακτικών εξαρτημάτων, που δεν προέρχονται από τον κατασκευαστή
- Μετατροπές στο προϊόν χωρίς τη ρητή άδεια του κατασκευαστή
- Χρήση για σκοπούς διαφορετικούς από αυτούς που περιγράφονται σε αυτό το εγχειρίδιο

Η Dometic διατηρεί το δικαίωμα αλλαγής της εμφάνισης και των προδιαγραφών του προϊόντος.

8 Λίστα μοντέλων

Τα μοντέλα διαχωρίζονται σε μηχανικά μοντέλα, μοντέλα σταθερής ταχύτητας και μοντέλα με μετατροπέα inverter.

Ο παρακάτω πίνακας δείχνει ποια λειτουργία αφορά στο κάθε μοντέλο:

● Το στοιχείο είναι διαθέσιμο

○ Το στοιχείο μπορεί να προστεθεί με αναβάθμιση

	FJX4233M	FJX4233EEH	FJX4333EEH	FJX4333E	FJX7333IHP	FJX7337IHP	FJX7457IHP
	Μηχανικό	Σταθερής ταχύτητας			Μετατροπέας inverter		
Αυτόματα		●	●	●	●	●	●
Ψύξη	●	●	●	●	●	●	●
Θέρμανση		●	●	○	●	●	●
Αερισμός	●	●	●	●	●	●	●
Αφύγρυνση		●	●	●	●	●	●
Σύστημα καθαρισμού αέρα	○	●	●	○	●	●	●
Φως ADB		●	●	○	●	●	●
Εξωτερικό φως					●	●	●
Χρονοδιακόπτης		●	●	●	●	●	●
Λειτουργία ύπνου		●	●	●	●	●	●
Λειτουργία ήπιας εκκίνησης			●	○	●	●	●

9 Επεξήγηση των συμβόλων στη συσκευή



Προειδοποίηση! Υγικό με χαμηλή ταχύτητα καύσης.



Διαβάστε το εγχειρίδιο χρήσης.



Διαβάστε το εγχειρίδιο σέρβις.

10 Τεχνικά όρια και τεχνικές προϋποθέσεις

Το κλιματιστικό οροφής προορίζεται για οχήματα με οροφές πάχους 25 mm ... 60 mm. Το κλιματιστικό οροφής λειτουργεί σε θερμοκρασίες περιβάλλοντος -2 °C ... 52 °C. Το κλιματιστικό οροφής έχει σχεδιαστεί για τοποθέτηση με απόκλιση $\pm 10^\circ$ από το οριζόντιο επίπεδο.

11 Εγκατάσταση



ΚΙΝΔΥΝΟΣ! Κίνδυνος ηλεκτροπληξίας

- Η σύνδεση της τροφοδοσίας ηλεκτρικού ρεύματος στο όχημα RV πρέπει να πραγματοποιείται από έναν εξειδικευμένο ηλεκτρολόγο, ο οποίος διαθέτει αντίστοιχη κατάρτιση και επαρκείς γνώσεις σχετικά με την κατασκευή και τον χειρισμό ηλεκτρικού εξοπλισμού και ηλεκτρικών εγκαταστάσεων και έχει λάβει εκπαίδευση ασφαλείας για την αναγνώριση και την αποφυγή των σχετικών κινδύνων.
- Αποσυνδέστε όλες τις τροφοδοσίες ηλεκτρικού ρεύματος, συμπεριλ. των μετατροπέων inverter, όταν πραγματοποιείτε εργασίες στο κλιματιστικό οροφής.
- Βεβαιωθείτε ότι η τροφοδοσία ηλεκτρικού ρεύματος της συσκευής δεν είναι δυνατόν να επανασυνδεθεί κατά την εγκατάσταση ή τη συντήρηση.



ΠΡΟΕΙΔΟΠΟΙΗΣΗ! Κίνδυνος ηλεκτροπληξίας

- Η συσκευή πρέπει να τοποθετείται σύμφωνα με τους εθνικούς κανονισμούς καλωδίωσης.
- Τα παρακάτω πρέπει να ενσωματωθούν στη σταθερή καλωδίωση, σύμφωνα με τους κανονισμούς καλωδίωσης: Μια παντοπολική διάταξη αποσύνδεσης, η οποία έχει διάκενο τουλάχιστον 3 mm σε όλους τους πόλους, όταν υπάρχει ρεύμα διαρροής που ενδέχεται να υπερβαίνει τα 10 mA, μια διάταξη προστασίας ρεύματος διαρροής (RCD) με μέγιστη επιτρεπόμενη ένταση ενεργοποίησης ρεύματος διαρροής που δεν υπερβαίνει τα 30 mA; μια αποσύνδεση.
- Εάν η συσκευή αντικαθιστά ένα παράθυρο ή μια θυρίδα με λειτουργία εξαερισμού εξαναγκασμένου εξαερισμού ασφαλείας, πρέπει να προστεθεί μια πρόσθετη διάταξη εξαερισμού ασφαλείας (όπως π.χ. ένας ανεμιστήρας τύπου μανιτάρι ή κάτι παρόμοιο). Σε περίπτωση αμφιβολιών, συμβουλευθείτε τον κατασκευαστή του οχήματος.

- Μετά από την εγκατάσταση του κλιματιστικού οροφής, εάν υπάρχει κάποια καμινάδα εξαγωγής κοντά στο κλιματιστικό οροφής, αυτή πρέπει να έχει ύψος τουλάχιστον 10 cm επάνω από αυτό. Εάν απαιτείται, προεκτείνετε την καμινάδα εξαγωγής. Τηρήστε τις οδηγίες του κατασκευαστή του συστήματος θέρμανσης.



ΠΡΟΦΥΛΑΞΗ! Κίνδυνος τραυματισμού

- Σε περίπτωση μη ενδεδειγμένης τοποθέτησης του κλιματιστικού οροφής, ενδέχεται να προκληθεί ανεπανόρθωτη ζημιά στη συσκευή και να τεθεί σε κίνδυνο η ασφάλεια του χρήστη.
- Ζητήστε σε κάθε περίπτωση τη βοήθεια ενός δεύτερου ατόμου για τη μεταφορά ή την ανύψωση του κλιματιστικού οροφής.
- Πριν από την εγκατάσταση, ελέγξτε τη θέση των υπαρχουσών πλεξούδων καλωδίων, των καλωδίων και άλλων εξαρτημάτων εντός της περιοχής τοποθέτησης, ιδιαίτερα αυτών που δεν είναι ορατά κατά την τοποθέτηση της συσκευής (κατά το τρύπημα ή το βίδωμα κ.λπ.).
- Στερεώστε και τακτοποιήστε τα καλώδια κατά τέτοιο τρόπο, ώστε να μην υπάρχει κίνδυνος να σκοντάψει κανείς ή να τους προκαλέσει ζημιά.
- Φοράτε πάντοτε προστατευτικά γυαλιά και γάντια.



ΠΡΟΣΟΧΗ! Κίνδυνος πρόκλησης ζημιάς

- Η συσκευή αποτελεί ένα σφραγισμένο σύστημα με κλειστό κύκλωμα ψυκτικού μέσου. Μην το ανοίγετε ή το μεταχειρίζεστε, εκτός εάν είστε ένας αντίστοιχα εξειδικευμένος τεχνικός.
- Χρησιμοποιήστε κανάλια καλωδίων για να περάσετε καλώδια μέσα από τοίχους με αιχμηρές γωνίες.
- Μην τοποθετείτε μη στερεωμένα ή λυγισμένα καλώδια κοντά σε ηλεκτρικά αγώγιμα υλικά (μέταλλα).
- Μην τραβάτε τα καλώδια.
- Βεβαιωθείτε ότι η καλωδίωση δεν υπάρχει περίπτωση να υποστεί φθορά ή διάβρωση καθώς και να εκτεθεί σε υπερβολική πίεση, κραδασμούς, αιχμηρές ακμές ή οποιοσδήποτε άλλες δυσμενείς περιβαλλοντικές επιδράσεις. Κατά τον έλεγχο πρέπει επίσης να ληφθούν υπόψη οι επιδράσεις της γήρανσης ή οι συνεχείς κραδασμοί από πηγές, όπως συμπίεστές ή ανεμιστήρες.
- Λάβετε υπόψη τη δομική αντοχή της οροφής του οχήματος. Η οροφή του οχήματος πρέπει να μπορεί να υποστηρίξει το βάρος του κλιματιστικού οροφής, χωρίς να προκαλείται βαθούλωμα ή παραμόρφωση. Σε περίπτωση αμφιβολιών, συμβουλευθείτε τον κατασκευαστή του οχήματος.



ΥΠΟΔΕΙΞΗ

- Τις προδιαγραφές της συσκευής μπορείτε να τις βρείτε στα Τεχνικά χαρακτηριστικά και στις παρακάτω πινακίδες στοιχείων:
- Πινακίδα στοιχείων μονάδας οροφής σχ. **3**
- Πινακίδα στοιχείων ADB σχ. **4**



Στο εγχειρίδιο χρήσης μπορείτε να βρείτε περισσότερες πληροφορίες σχετικά με τα κλιματιστικά οροφής, όπως είναι π.χ. η τεχνική περιγραφή των χειριστηρίων, βλέπε qr.dometic.com/bdjin0x.



σχ. 3 στη σελίδα 4 σχ. 4 στη σελίδα 4

- Επιλέξτε τον τρόπο τοποθέτησης του κλιματιστικού οροφής:
 - Διανοίξτε ένα νέο άνοιγμα. Σε αυτήν την περίπτωση, το άνοιγμα πρέπει να ενισχυθεί με ένα κατάλληλο πλαίσιο.
 - Χρησιμοποιήστε ένα άνοιγμα που υπάρχει ήδη στο όχημα, όπως μια θυρίδα οροφής ή το υπάρχον άνοιγμα σε περίπτωση αντικατάστασης ενός παλαιού κλιματιστικού οροφής.
 - Βεβαιωθείτε ότι τηρούνται τα παρακάτω διάκενα:

Μοντέλο	Ύψος αντικειμένου < 60 mm	Ύψος αντικειμένου > 60 mm			
	Και στις 4 πλευρές	Δεξιά	Αριστερά *	Πίσω *	Πρόσοψη
FJX4333EEH	50 mm	150 mm	150 mm	150 mm	150 mm
FJX7333IHP	50 mm	150 mm	150 mm	150 mm	150 mm
FJX7337IHP	50 mm	300 mm	150 mm	150 mm	150 mm
FJX7457IHP	50 mm	300 mm	150 mm	150 mm	150 mm

* Σε αυτήν την περίπτωση, το «αριστερά» και το «δεξιά» ορίζονται όπως κοιτάζουμε τη μονάδα από την μπροστινή πλευρά του οχήματος.

- Βεβαιωθείτε ότι τηρούνται τα παρακάτω διάκενα:

* Σε αυτήν την περίπτωση, το «αριστερά» και το «δεξιά» ορίζονται όπως κοιτάζουμε τη μονάδα από την μπροστινή πλευρά του οχήματος.

Διάνοιξη ενός νέου ανοίγματος

- Επιλέξτε μια περιοχή στο κέντρο της οροφής, ανάμεσα σε δύο διαμήκη υποστηρίγματα.
- Σημαδέψτε τη θέση και το μέγεθος του ανοίγματος (400 × 400 mm).

σχ. 5 στη σελίδα 4

- Διατρπήστε τις γωνίες (A).



ΠΡΟΣΟΧΗ! Κίνδυνος πρόκλησης ζημιάς

Βεβαιωθείτε ότι δεν προκαλείται ζημιά σε ηλεκτρικά καλώδια τροφοδοσίας. Ελέγξτε τη θέση των ηλεκτρικών καλωδίων.

σχ. 6 στη σελίδα 5

- Κόψτε προσεκτικά το άνοιγμα στην οροφή, χρησιμοποιώντας μια σέγα ή ένα παρόμοιο εργαλείο (B).
- Ελέγξτε εάν η οπή στην οροφή χρειάζεται ενίσχυση.
- Εάν αυτό κριθεί απαραίτητο, αφαιρέστε το αφρώδες υλικό σύμφωνα με το πλάτος των ραγών ενίσχυσης που θα χρησιμοποιήσετε (δεν περιλαμβάνονται στη συσκευασία παράδοσης) (A).

 **σχ. 7** στη **σελίδα 5**

8. Στερεώστε τις ράγες ενίσχυσης (**B**).

Τοποθέτηση σε ένα υπάρχον άνοιγμα

9. Αφαιρέστε όλες τις βίδες και τα εξαρτήματα στερέωσης της υπάρχουσας θυρίδας οροφής ή του υπάρχοντος κλιματιστικού.

 **σχ. 8** στη **σελίδα 5**

10. Αφαιρέστε τη θυρίδα οροφής ή το κλιματιστικό οροφής.
11. Αφαιρέστε το στεγανοποιητικό υλικό γύρω από το άνοιγμα χρησιμοποιώντας μια ξύστρα ή ένα παρόμοιο εργαλείο.

 **σχ. 9** στη **σελίδα 5**

Τοποθέτηση των συνδετικών καλωδίων

12. Βεβαιωθείτε ότι η προδιαγραφή τάσης στην πινακίδα στοιχείων του κλιματιστικού οροφής είναι ίδια με την υπάρχουσα τροφοδοσία ηλεκτρικού ρεύματος. Το κλιματιστικό οροφής πρέπει να συνδεθεί σε ένα ηλεκτρικό κύκλωμα, το οποίο μπορεί να παρέχει το απαιτούμενο ρεύμα (Τεχνικά χαρακτηριστικά).
13. Βεβαιωθείτε ότι η τροφοδοσία ηλεκτρικού ρεύματος διαθέτει ασφαλειοδιακόπτη ρεύματος διαρροής (< 30 mA). Εάν δεν υπάρχει, τοποθετήστε τον ασφαλειοδιακόπτη ρεύματος διαρροής.
14. Τοποθετήστε έναν παντοπολικό διακόπτη με πλάτος ανοίγματος επαφής τουλάχιστον 3 mm στην πλευρά τοποθέτησης.
15. Επιλέξτε τη διατομή του καλωδίου τροφοδοσίας ηλεκτρικού ρεύματος, ανάλογα με το μήκος του:
- Μήκος < 7,5 m: 1,5 mm²
 - Μήκος > 7,5 m: 2,5 mm²
16. Διανοίξτε ένα άνοιγμα στη μία πλευρά, για να περάσετε το καλώδιο τροφοδοσίας ηλεκτρικού ρεύματος.

 **σχ. 10** στη **σελίδα 5**

17. Περάστε το καλώδιο τροφοδοσίας ηλεκτρικού ρεύματος μέσα από το άνοιγμα, στο εσωτερικό του οχήματος.

Τοποθέτηση της μονάδας οροφής

18. Σφραγίστε την περιοχή γύρω από την κάτω πλευρά του πλαισίου οροφής με ένα εύκαμπτο, μη σκληρυνόμενο στεγανοποιητικό προϊόν βουτυλίου (π.χ. Sikalastomer-710, Selleys Butyl Mastik, Bostik ezycaulk butyl sealant ή άλλα παρόμοια προϊόντα). Τηρείτε τις οδηγίες του κατασκευαστή του στεγανωτικού.

 **σχ. 11** στη **σελίδα 6**

19. Προσανατολίστε το πλαίσιο οροφής με βάση το μέγεθος του ανοίγματος.
20. Τοποθετήστε το πλαίσιο οροφής μέσα στο άνοιγμα της οροφής.

 **σχ. 12** στη **σελίδα 6**

21. Ανεβάστε τη μονάδα οροφής στην οροφή του οχήματος. Προσέξτε την κατεύθυνση κίνησης.
22. Τοποθετήστε τη μονάδα οροφής μέσα στο πλαίσιο οροφής και ευθυγραμμίστε την με την εγκοπή του πλαισίου οροφής. Για την ευθυγράμμιση μέσα στην εγκοπή του πλαισίου οροφής, χρησιμοποιήστε τις γωνίες στην μπροστινή πλευρά του πλαισίου οροφής.

Ηλεκτρική σύνδεση

23. Συνδέστε το καλώδιο τροφοδοσίας ηλεκτρικού ρεύματος.

 σχ. 13 στη σελίδα 7

- a) Συνδέστε τα καλώδια (1) σε έναν σύνδεσμο καλωδίων (2).
- b) Συνδέστε το κλιματιστικό οροφής με την τροφοδοσία ηλεκτρικού ρεύματος.
- c) Συνδέστε το καλώδιο γείωσης με το σύστημα γείωσης του οχήματος.
24. **Μόνο μηχανικά μοντέλα:** Συνδέστε το καλώδιο ανάμεσα στην εξωτερική μονάδα και στο κουτί διάχυσης αέρα.
- a) Τραβήξτε το φίλτρο ελαφρά προς τα έξω, ώστε να δημιουργηθεί ένα διάκενο για το καλώδιο επικοινωνίας (3).
- b) Περάστε το καλώδιο μέσα από το διάκενο και τοποθετήστε το καλώδιο μέσα στο άνοιγμα.
- c) Συνδέστε το βύσμα επικοινωνίας 6 ακίδων στην υποδοχή που βρίσκεται στο πλάι της οθόνης στο κουτί ADB. Βεβαιωθείτε ότι το καλώδιο είναι τοποθετημένο μέσα στο μικρό άνοιγμα, μακριά από την περιοχή του φίλτρου.
- d) Ασφαλίστε το περιττό τμήμα του καλωδίου στα αντίστοιχα στηρίγματα.
25. **Μόνο μοντέλα σταθερής ταχύτητας και μοντέλα με μετατροπέα inverter:** Συνδέστε το καλώδιο επικοινωνίας.
- a) Τραβήξτε το φίλτρο ελαφρά προς τα έξω, ώστε να δημιουργηθεί ένα διάκενο για το καλώδιο επικοινωνίας (4).
- b) Περάστε το καλώδιο επικοινωνίας μέσα από το διάκενο και τοποθετήστε το καλώδιο μέσα στο άνοιγμα.
- c) Συνδέστε το βύσμα επικοινωνίας 4 ακίδων στην υποδοχή που βρίσκεται στο πλάι της οθόνης στο κουτί ADB. Βεβαιωθείτε ότι το καλώδιο είναι τοποθετημένο μέσα στο μικρό άνοιγμα, μακριά από την περιοχή του φίλτρου.
- d) Ασφαλίστε το περιττό τμήμα του καλωδίου στα αντίστοιχα στηρίγματα.

Τοποθέτηση του κουτιού ADB

26. Τοποθετήστε τα τμήματα αγωγού το ένα επάνω στο άλλο, έτσι ώστε να καλυφθεί το πάχος της οροφής; Βεβαιωθείτε ότι το ύψος του αγωγού συμφωνεί με το ύψος της οροφής ή χρησιμοποιήστε τον πίνακα ως οδηγό.

 σχ. 14 στη σελίδα 8

Πάχος οροφής	Αριθμός τμημάτων αγωγού
25 ... 35 mm	1
35 ... 45 mm	2
45 ... 55 mm	3
55 ... 60 mm	4



ΥΠΟΔΕΙΞΗ Για οροφές με μεγαλύτερο πάχος μπορούν να αγοραστούν πρόσθετα τμήματα αγωγού.

27. Τοποθετήστε τον απαιτούμενο αριθμό τμημάτων αγωγού στο κουτί ADB.
28. Στερεώστε το κουτί διανομής αέρα ADB στην εσωτερική πλευρά της οροφής, περνώντας τις 4 συμπιεραλαμβανόμενες βίδες μέσα από τη μονάδα οροφής. Σφίξτε τις βίδες χρησιμοποιώντας ένα δυναμομετρικό κλειδί με ροπή σύσφιξης $2.5 \text{ Nm} \pm 0.3 \text{ Nm}$.

 σχ. 15 στη σελίδα 9

29. Πιέστε το φίλτρο και πάλι εντελώς προς τα μέσα.

 σχ. 16 στη σελίδα 9

30. Κουμπώστε το κεντρικό κάλυμμα στο κουτί ADB.

 σχ. 17 στη σελίδα 10

31. Ρωτήστε τον κατασκευαστή του οχήματος εάν απαιτείται τεχνική επιθεώρηση μετά από την τοποθέτηση ενός κλιματιστικού οροφής καθώς και εάν απαιτείται αλλαγή του ύψους, που είναι καταχωρημένο στα έγγραφα του οχήματος:

- FreshJet FJX4233, FreshJet FJX4333, FreshJet FJX7333: Αυξημένο ύψος 225 mm
- FreshJet FJX7337: Αυξημένο ύψος 242 mm
- FreshJet FJX7457: Αυξημένο ύψος 283 mm

✓ Η τοποθέτηση έχει πλέον ολοκληρωθεί.

Συνδέστε στην τροφοδοσία ηλεκτρικού ρεύματος και ελέγξτε εάν το κλιματιστικό οροφής λειτουργεί.

12 Διαγράμματα καλωδίωσης

FJX4233M

 σχ. 18 στη σελίδα 10


FJX4233E, FJX4333E(EH), FJX7333IH

 σχ. 19 στη σελίδα 11

FJX7333IH

 σχ. 20 στη σελίδα 11

FJX7337IH, FJX7457IH

 σχ. 21 στη σελίδα 12

ADB

 σχ. 22 στη σελίδα 12

13 Απόρριψη





Εάν είναι εφικτό, απορρίψτε τα υλικά συσκευασίας στους αντίστοιχους κάδους ανακύκλωσης. Συμβουλευθείτε ένα τοπικό κέντρο ανακύκλωσης ή έναν εξειδικευμένο αντιπρόσωπο για λεπτομέρειες σχετικά με τον τρόπο απόρριψης του προϊόντος σύμφωνα με τους ισχύοντες κανονισμούς διάθεσης απορριμμάτων.




Προστατέψτε το περιβάλλον! Μην απορρίπτετε μπαταρίες με τα οικιακά απορρίμματα. Οι ελαττωματικές ή χρησιμοποιημένες μπαταρίες πρέπει να επιστρέφονται στο κατάστημα αγοράς ή να παραδίδονται στα κατάλληλα σημεία συλλογής.

14 Τεχνικά χαρακτηριστικά

-  σχ. 23 στη σελίδα 13
  σχ. 24 στη σελίδα 13
  σχ. 25 στη σελίδα 13
  σχ. 26 στη σελίδα 14

Περιέχει φθοριωμένα αέρια του θερμοκηπίου. Ερμητικά σφραγισμένος εξοπλισμός.

Με το παρόν, η Dometic δηλώνει ότι αυτή η συσκευή ραδιοεξοπλισμού συμμορφώνεται με την Οδηγία 2014/53/ΕΕ. Το πλήρες κείμενο της δήλωσης συμμόρφωσης ΕΕ είναι διαθέσιμο στην παρακάτω ηλεκτρονική διεύθυνση internet <http://documents.dometic.com>.

	FreshJet FJX4233M
Ψυκτική ισχύς βάσει του ISO 5151:	1500 W
Τάση εισόδου AC:	220 V ... 240 V / 50 Hz
Ονομαστικό ρεύμα ψύξης:	3,1 A
Απαιτούμενη ασφάλεια:	Ελάχ. 4 A, μέγ. 16 A
Εύρος θερμοκρασίας λειτουργίας:	-2 °C ... 52 °C
Ψυκτικό μέσο:	R410a
Ποσότητα ψυκτικού μέσου:	380 g
Ισοδύναμο CO ₂ :	0,793 t
Δυναμικό υπερθέρμανσης του πλανήτη (GWP):	2088
Κατηγορία προστασίας (μονάδα οροφής):	IPX4
Στάθμη θορύβου (στην υψηλότερη ρύθμιση ανεμιστήρα)	< 70 dB(A)
Συχνότητα	2,4 GHz
Μέγιστη ισχύς ραδιοσυχνότητας	19,14 dBm
Συνιστώμενο μέγ. μήκος οχήματος (με μονωμένα τοιχώματα):	≤ 5 m
Διαστάσεις Μ × Π × Υ:	σχ. 23
Βάρος:	< 30 kg
Έλεγχος / πιστοποίηση:	CE 

	FreshJet FJX4233EEH	FreshJet FJX4333EEH	FreshJet FJX4333E
Ψυκτική ισχύς βάσει του ISO 5151:	1700 W	2200 W	2200 W
Θερμαντική ισχύς βάσει του ISO 5151:	800 W	1000 W	-
Τάση εισόδου AC:	220 V ... 240 V / 50 Hz		

EL Dometic FJX

	FreshJet FJX4233EEH	FreshJet FJX4333EEH	FreshJet FJX4333E
Όνομαστικό ρεύμα ψύξης:	3,4 A	4,6 A	4,6 A
Όνομαστικό ρεύμα θέρμανσης:	3,7 A	4,4 A	-
Απαιτούμενη ασφάλεια:	Ελάχ. 4 A, μέγ. 16 A	Ελάχ. 5 A, μέγ. 16 A	Ελάχ. 5 A, μέγ. 16 A
Εύρος θερμοκρασίας λειτουργίας:	-2 °C ... 52 °C		
Ψυκτικό μέσο:	R32		
Ποσότητα ψυκτικού μέσου:	320 g	360 g	360 g
Ισοδύναμο CO ₂ :	0,216 t	0,243 t	0,243 t
Δυναμικό υπερθέρμανσης του πλανήτη (GWP):	675		
Κατηγορία προστασίας (μονάδα οροφής):	IPX4		
Στάθμη θορύβου (στην υψηλότερη ρύθμιση ανεμιστήρα)	< 70 dB(A)		
Συχνότητα	2,4 GHz		
Μέγιστη ισχύς ραδιοσυχνότητας	19,14 dBm		
Συνιστώμενο μέγ. μήκος οχήματος (με μονωμένα τοιχώματα):	≤ 6 m	≤ 7 m	≤ 7 m
Διαστάσεις Μ x Π x Υ:	σχ. 24		
Βάρος:	< 30 kg	< 30 kg	< 30 kg
Έλεγχος / πιστοποίηση:	CE UK		
	FreshJet FJX7333IHP	FreshJet FJX7337IHP	FreshJet FJX7457IHP
Ψυκτική ισχύς βάσει του ISO 5151:	2200 W	3000 W	3500 W
Θερμαντική ισχύς βάσει του ISO 5151:	2000 W	2500 W	3000 W
Τάση εισόδου AC:	220 V ... 240 V / 50 Hz ... 60 Hz		
Όνομαστικό ρεύμα ψύξης:	< 5,9 A	< 7,3 A	< 7,5 A
Όνομαστικό ρεύμα θέρμανσης:	< 3,7 A	< 5,9 A	< 6,5 A
Απαιτούμενη ασφάλεια:	Ελάχ. 6 A, μέγ. 16 A	Ελάχ. 8 A, μέγ. 16 A	Ελάχ. 8 A, μέγ. 16 A
Εύρος θερμοκρασίας λειτουργίας:	-2 °C ... 52 °C		
Ψυκτικό μέσο:	R32		
Ποσότητα ψυκτικού μέσου:	400 g	480 g	650 g
Ισοδύναμο CO ₂ :	0,270 t	0,324 t	0,439 t

	Freshjet FJX7333IHP	Freshjet FJX7337IHP	Freshjet FJX7457IHP
Δυναμικό υπερθέρμανσης του πλανήτη (GWP):		675	
Κατηγορία προστασίας (μονάδα οροφής):		IPX4	
Στάθμη θορύβου (στην υψηλότερη ρύθμιση ανεμιστήρα)		< 70 dB(A)	
Συχνότητα		2,4 GHz	
Μέγιστη ισχύς ραδιοσυχνότητας		19,14 dBm	
Συνιστώμενο μέγ. μήκος οχήματος (με μονωμένα τοιχώματα):	≤ 7 m	≤ 7 m	> 8 m
Διαστάσεις Μ x Π x Υ:	σχ. 24	σχ. 25	σχ. 26
Βάρος:	< 30 kg	< 35 kg	< 40 kg
Έλεγχος / πιστοποίηση:		CE UK	

Lietuvių k.

1	Svarbios pastabos.....	290
2	Simbolių paaiškinimas.....	290
3	Tikslinės grupės.....	291
4	Saugos instrukcijos.....	291
5	Pristatoma komplektacija.....	292
6	Priedai.....	292
7	Paskirtis.....	293
8	Modelių sąrašas.....	293
9	Ant prietaiso esančių simbolių paaiškinimas.....	294
10	Techniniai apribojimai ir sąlygos.....	294
11	Montavimas.....	294
12	Laidų instaliacijos schemas.....	298
13	Utilizavimas.....	299
14	Techniniai duomenys.....	299

1 Svarbios pastabos

Atidžiai perskaitykite šią instrukciją ir sekite visas instrukcijas, nurodymus ir perspėjimus, pateiktus šiame gaminio vadove, ir griežtai jų laikykitės, kad užtikrintumėte, jog šis gaminis visada bus įrengtas, naudojamas ir prižiūrimas tinkamai. Ši instrukcija PRIVALO likti šalia šio gaminio.

Naudodamiesi šiuo gaminiu patvirtinate, kad atidžiai perskaitėte visas instrukcijas, nurodymus ir perspėjimus ir suprantate dokumente išdėstytas sąlygas bei sutinkate jų laikytis. Šį gaminį sutinkate naudoti tik pagal numatytąją paskirtį ir taip, kaip nurodo šioje gaminio instrukcijoje pateiktos instrukcijos, nurodymai ir perspėjimai, taip pat laikydamiesi taikomų teisinių ir teisės aktų. Nesusipažinus su šioje instrukcijoje pateiktomis instrukcijomis ir perspėjimais ir jų nesilaikius galite susižaloti patys ir sužaloti kitus asmenis, pažeisti gaminį arba pridaryti žalos kitai netoliese esančiai nuosavybei. Ši gaminio instrukcija, taip pat ir instrukcijos, nurodymai, perspėjimai ir kiti susiję dokumentai, gali būti keičiami ir atnaujinami. Noredami gauti naujausios informacijos apie gaminį, apsilankykite adresu documents.dometic.com.

2 Simbolių paaiškinimas



PAVOJUS!

nurodo pavojingą situaciją, kurios neišvengus gresia mirtinas arba sunkus sužalojimas.



ĮSPĖJIMAS!

nurodo pavojingą situaciją, kurios neišvengus gali grėsti mirtinas arba sunkus sužalojimas.



PERSPĖJIMAS!

nurodo pavojingą situaciją, kurios neišvengus gali grėsti lengvas arba vidutinio sunkumo sužalojimas.



PRANEŠIMAS!

Nurodo situaciją, kurios neišvengus, gresia materialinė žala.



PASTABA Papildoma informacija apie gaminio eksploatavimą.

3 Tikslinės grupės



Elektros liniją prijungti leidžiama kvalifikuotam elektrikui, turinčiam elektros įrangos montavimo ir eksploataavimo praktinių įgūdžių bei žinių ir baigusiam saugos mokymo kursą apie tai, kaip atpažinti darbe kylančius pavojus ir nuo jų apsisaugoti.



Mechaninę instaliaciją turi atlikti kvalifikuotas asmuo, kuris susipažinęs su įrangos konstrukcija, naudojimu ir susijusiais pavojais.

4 Saugos instrukcijos



ĮSPĖJIMAS! Nesilaikant šių įspėjimų gali grėsti mirtis arba rimtas susižalojimas.

- Prietaisą remontuoti gali tik kvalifikuoti darbuotojai, suprantantys susijusius pavojus ir susipažinę su atitinkamais teisės aktais. Netinkamai atliktas remontas gali kelti rimtą pavojų. Dėl remonto paslaugų kreipkitės į savo šalies techninės priežiūros centrą (žr. dometic.com/dealer).
- Prietaisas turi būti sumontuotas laikantis nacionalinių elektros ir mechaninės instaliacijos taisyklių.
- **Elektros prietaisai nėra žaislai.** Elektros prietaisus laikykite vaikams ar neįgaliems asmenims nepasiekiamoje vietoje. Neleiskite jiems naudotis elektros prietaisais be priežiūros.
- Asmenys, kurių fiziniai, jutiminiai ar protiniai gebėjimai arba patirties ir žinių stoka neleidžia jiems saugiai naudotis prietaisu, neturėtų juo naudotis be atsakingo asmens priežiūros ar nurodymų.
- Kilus gaisrui **nenuimkite** prietaiso viršutinio dangčio. Naudokite patvirtintas gesinimo priemones. Gaisrui gesinti nenaudokite vandens.
- Prietaisas turi būti laikomas patalpoje be pastoviai veikiančių atviros liepsnos (pvz., veikiančio dujinio prietaiso) ir uždegimo šaltinių (pvz., veikiančio elektrinio šildytuvo).
- Prietaisas turi laikomas horizontalioje padėtyje sausoje, vėdinamoje ir uždenytoje vietoje.
- Neperdurkite ir nedeginkite prietaiso.
- Nepamirškite, aušalai gali neturėti kvapo.
- Stogo oro kondicionierius turi būti įrengiamas transporto priemonėje, kurios grindų plotas didesnis nei 4 m².



PERSPĖJIMAS! Nesilaikant šių įspėjimų gali grėsti nedidelis arba vidutinis susižalojimas.

- Prietaisą naudokite tik įsitikinę, kad korpusas ir kabeliai nepažeisti.
- Nenaudokite prietaiso netoli degių skysčių arba uždaroje patalpoje.
- Užtikrinkite, kad šalia oro išleidimo angos nebūtų laikomi ar montuojami degūs daiktai. Būtina palikti ne mažesnę kaip 50 cm atstumą.
- Nesiartinkite prie oro išleidimo angų ir neįkiškite į prietaisą jokių pašalinių daiktų.
- Visada naudokite apsauginius akinius ir pirštines.



PRANEŠIMAS! Žalos pavojus

- Prietaisas veikia optimaliai esant 1020 mbar.

- Prietaisas turi būti laikomas taip, kad neatsirastų mechaninių pažeidimų.
- Prieš montuodami prietaisą patikrinkite, ar montuodami nesugadinsite transporto priemonės sudedamųjų dalių (pvz., lempų, spintelių, durelių). Transporto priemonės gamintojas galbūt jau yra numatęs vietas, kuriose galima įrengti prietaiso montavimo angą, nerizikuojant susilpninti konstrukciją ar nutraukti elektros laidus.
- Prieš montuodami kreipkitės į transporto priemonės gamintoją ir sužinokite, ar konstrukcija pritaikyta stogo oro kondicionieriaus statiniam svoriui ir apkrovoms, kai transporto priemonė važiuoja.
- Įsitikinkite, kad stogo rėmas tinkamai užsandarintas ant stogo.
- Montavimui pasirinkite plokščią ir pakankamai lygią vietą transporto priemonės stogo viduryje tarp dviejų išilginių sekcijų.
- Montavimo paviršiaus stogo nuolydis negali būti didesnis kaip 10 °.
- Įsitikinkite, kad transporto priemonėje nėra jokių daiktų, kurie galėtų trukdyti pritvirtinti oro paskirstymo dėžę arba aušinamam orui tekėti per pasukamus oro paskirstymo antgalius.
- Prietaiso nekeiskite ir neperdarykite.
- Niekada nevažiukite per automatinės ploviklas, kai sumontuotas prietaisas.
- Jei aušalo grandinėje atsiranda gedimų, sistemą turi patikrinti ir tinkamai suremontuoti specializuota įmonė.
- Aušalas neturi būti išleidžiamas į orą.
- Pasiteiraukite transporto priemonės gamintojo, ar jūsų transporto priemonės dokumentuose nurodytą aukštį reikia pakeisti įrengiant stogo oro kondicionierių.

5 Pristatoma komplektacija

 pav. 1 puslapyje 3  pav. 2 puslapyje 3

Nr. pateikti pav. 1, pav. 2	Kiekis	Aprašymas
1	1	Ant stogo montuojamas prietaisas
2	1	Stogo rėmas
3	1	Oro paskirstymo dėžė (ADB)
4	1	ADB centrinis dangtis
5	4	Kanalų sekcijos
6	3	Kabelių jungtys
7	4	Tvirtinimo varžtai
8	1	Dėžės dangtis
9	1	Tik kai kuriuose modeliuose: Nuotolinio valdymo pultas

6 Priedai

Tiekiami kaip priedai (neįeina į pristatomą komplektaciją):

Aprašymas	Nuor. nr.
Prailginimo kanalo sekcijos (kiekviena sekcija apima papildomus 10 mm)	4450017931

Aprašymas	Nuor. nr.
Ilgesni tvirtinimo varžtai M6 x 160 mm (60 ... 120 mm storio stogams)	4450012023
Oro valytuvai	4450029486
Elektrinis šildytuvas	4450029487
ADB aplinkos šviesa	4450029488
„FreshJet“ FJX4233M filtrai	4450024007 4450024008
„FreshJet“ FJX4233EEH / FJX4333E(EH) / FJX7333IHP / FJX7337IHP / FJX7457IHP filtrai	4450025683

7 Paskirtis

Stogo oro kondicionierius skirtas tik montuoti ant automobilio-furgono ar poilsinės transporto priemonės stogo, kad būtų galima vėsinti ir šildyti.

Stogo oro kondicionierius **netinka** traukiniams, namams ir butams. Stogo oro kondicionieriaus **negalima** montuoti statybų mašinose, žemės ūkio mašinose ar panašioje įrangoje.

Šis gaminį galima naudoti tik pagal numatytą paskirtį ir vadovaujantis šiomis instrukcijomis.

Šiame vadove pateikiama informacija, reikalinga tinkamam gaminio įrengimui ir (arba) naudojimui. Dėl prasto įrengimo ir (arba) netinkamo naudojimo būdo ar techninės priežiūros gaminys gali netinkamai veikti ir sugesti.

Gamintojas neprisims atsakomybės už patirtus sužeidimus ar žalą gaminiui, atsiradusią dėl šių priežasčių:

- Netinkamas montavimas, surinkimas ar prijungimas, įskaitant per aukštą įtampą
- Netinkamos techninės priežiūros arba jeigu buvo naudotos neoriginalios, gamintojo nepateiktos atsarginės dalys
- Gaminio pakeitimai be aiškaus gamintojo leidimo
- Naudojimas kitais tikslais, nei nurodyta šiame vadove

„Dometic“ pasilieka teisę keisti gaminio išvaizdą ir specifikacijas.

8 Modelių sąrašas

Modeliai skirstomi į mechaninius, fiksuoto greičio ir inverterinius modelius.

Šioje lentelėje pateikiama, kuri funkcija taikoma konkrečiam modeliui:

- Funkcija prieinama
- Funkcija turi būti atnaujinta

	FJX4233M	FJX4233E-EH	FJX4333E-EH	FJX4333E	FJX7333IHP	FJX7337IHP	FJX7457IHP
	Mechaninis	Fiksuoto greičio			Inverteris		
Automatinis		●	●	●	●	●	●
Vėsinimas	●	●	●	●	●	●	●
Šildymas		●	●	○	●	●	●
Vėdinimas	●	●	●	●	●	●	●
Sausinimas		●	●	●	●	●	●
Oro valytuvas	○	●	●	○	●	●	●
ADB lemputė		●	●	○	●	●	●
Išorinė šviesa					●	●	●
Laikmatis		●	●	●	●	●	●
Miegas		●	●	●	●	●	●
Švelnūs paleidiklis			●	○	●	●	●

9 Ant prietaiso esančių simbolių paaiškinimas


A2L

Įspėjimas! Lėtai deganti medžiaga.



Skaitykite naudojimo vadovą.



Skaitykite techninės priežiūros vadovą.

10 Techniniai apribojimai ir sąlygos

Stogo oro kondicionierius skirtas transporto priemonėms, kurių stogų storis yra 25 mm ... 60 mm. Stogo oro kondicionierius veiks aplinkos temperatūroje nuo -2 °C ... 52 °C. Stogo oro kondicionierius skirtas montuoti ± 10 ° horizontalios plokštumos diapazone.

11 Montavimas



PAVOJUS! Elektros srovės pavojus

- Elektros liniją poilsinėje transporto priemonėje prijungti leidžiama kvalifikuotam elektrikui, turinčiam elektros įrangos montavimo ir eksploatavimo praktinių įgūdžių bei žinių ir baigusiam saugos mokymo kursą apie tai, kaip atpažinti darbe kylančius pavojus ir nuo jų apsaugoti.

- Dirbdami su stogo oro kondicionieriumi atjunkite visus maitinimo šaltinius, įskaitant inverterius.
- Įsitikinkite, kad atliekant montavimo ar techninės priežiūros darbus nebūtų galima vėl prijungti prietaiso maitinimo šaltinio.



ĮSPĖJIMAS! Elektros srovės pavojus

- Prietaisas turi būti sumontuotas laikantis nacionalinių elektros instaliacijos taisyklių.
- Į fiksuotą laidų instaliacijos schemą pagal laidų instaliacijos taisykles turi būti įtrauktas: Automatinis jungiklis, turintis bent 3 mm tarpus visuose poliuose; kai nuotėkio srovė gali viršyti 10 mA, liekamosios srovės grandinės pertraukiklis (RCD), kurio vardinė liekamoji darbinė srovė neviršija 30 mA; atjungimo prietaisas.
- Jei prietaisas pakeičia langą arba liuką saugai aktualia priverstinio vėdinimo funkcija, reikia įtraukti papildomą saugos ventiliavimo prietaisą (pvz., grybo formos ventiliatorių ar pan.). Jei turite abejonių, pasitarkite su transporto priemonės gamintoju.
- Sumontavus stogo oro kondicionierių, šalia stogo oro kondicionieriaus esantis dūmtraukis turi pakilti bent 10 cm virš jo. Jei reikia, dūmtraukį pailginkite. Laikykitės šildymo prietaisų gamintojo instrukcijų.



PERSPĖJIMAS! Sužalojimų vengimas

- Jei prietaisą sumontuosite netinkamai, jį galite nepataisomai sugadinti ir sukelti pavojų naudotojo saugumui.
- Visada paprašykite, kad kas nors padėtų nešti arba kelti stogo oro kondicionierių.
- Prieš montuodami prietaisą (gręždami, sukdami varžtus ir pan.), atkreipkite dėmesį į esamų laidų kompleksus, laidų ir kitų montavimo vietoje esančių dalių, ypač tų, kurių nematyti, vietą.
- Kabelius tvirtinkite ir išdėstykite taip, kad už jų neužkliūtumėte ar jų nepažeistumėte.
- Visada naudokite apsauginius akinius ir pirštines.



PRANEŠIMAS! Žalos pavojus

- Prietaisas yra sandari sistema su uždara aušalo grandine. Neatidarykite ar nemanipuliuokite, jei nesate tinkamai išmokytas technikas.
- Kai tiesiate kabelius per sienas aštriais kraštais, naudokite kabelių kanalus.
- Nepalikite kabančių ar sulenktų kabelių šalia elektra laidžių medžiagų (metalo).
- Kabelių netraukite.
- Patikrinkite, ar kabeliai nesidėvės, nebus veikiami korozijos, pernelyg didelio slėgio, vibracijos, nesitrintis į aštrius kraštus arba nebus veikiami kitokio neigiamo poveikio aplinkoje. Tikrinant taip pat reikia atsižvelgti į senėjimo arba nuolatinės vibracijos poveikį, kurį daro tokie šaltiniai kaip kompresoriai ar ventiliatoriai.
- Stebėkite transporto priemonės stogo konstrukcijos tvirtumą. Transporto priemonės stogas turi atlaikyti stogo oro kondicionieriaus svorį ir nebūti įlenktas ar deformuotas. Jei turite abejonių, pasitarkite su transporto priemonės gamintoju.



PASTABA

- Prietaiso specifikacijas rasite Techniniai duomenys ir šiose duomenų plokštelėse:
- Ant stogo montuojamo prietaiso duomenų plokštelė pav. **3**
- ADB duomenų plokštelė pav. **4**



Daugiau informacijos apie stogo oro kondicionierius rasite naudojimo vadove, pavyzdžiui, techniniame aprašyme arba valdikliuose, žr. qr.dometic.com/bdjN0x.



pav. 3 puslapyje 4 pav. 4 puslapyje 4

- Pasirinkite savo būdą stogo oro kondicionieriui sumontuoti:
 - Padarykite naują angą. Tokiu atveju angą reikia sutvirtinti tinkamu rėmu.
 - Naudokite esamą transporto priemonės angą, pavyzdžiui, stogo liuką arba keičiant seną oro kondicionierių likusią angą.
 - Būtinai išlaikykite šiuos tarpus:

Modelis	Objekto aukštis < 60 mm	Objekto aukštis > 60 mm			
	Visose 4 pusėse	Dešinė	Kairė *	Galas *	Priekis
FJX4333EEH	50 mm	150 mm	150 mm	150 mm	150 mm
FJX7333IHP	50 mm	150 mm	150 mm	150 mm	150 mm
FJX7337IHP	50 mm	300 mm	150 mm	150 mm	150 mm
FJX7457IHP	50 mm	300 mm	150 mm	150 mm	150 mm

* Šiame kontekste „kairė“ ir „dešinė“ reiškia, kad į prietaisą žiūrite iš transporto priemonės priekio.

- Būtinai išlaikykite šiuos tarpus:

* Šiame kontekste „kairė“ ir „dešinė“ reiškia, kad į prietaisą žiūrite iš transporto priemonės priekio.

Naujos angos darymas

- Pasirinkite vietą stogo viduryje tarp dviejų išilginių atramų.
- Pasižymėkite angos vietą ir dydį (400 × 400 mm).

pav. 5 puslapyje 4

- Išgręžkite kampus (A).



PRANEŠIMAS! Žalos pavojus

Išitikinkite, kad nepažeisti elektros maitinimo kabeliai. Patikrinkite, kur yra elektros kabeliai.

pav. 6 puslapyje 5

- Atsargiai išpjaukite stogo angą naudodami rakto skylutės pjūklą arba panašų įrankį (B).
- Patikrinkite, ar reikia sutvirtinti stogo angą.
- Jei reikia, pašalinkite putplastį pagal savo sutvirtinimo bėgių plotį (neįeina į pristatomą komplektaciją) (A).

pav. 7 puslapyje 5

- Sumontuokite sutvirtinimo bėgius (B).

Montavimas esamoje angoje

- Nuimkite visus esamo stogo liuko arba oro kondicionieriaus varžtus ir tvirtinimo elementus.

 pav. 8 puslapyje 5

10. Išimkite stogo liuką arba stogo oro kondicionierių.
11. Pašalinkite sandariklį aplink angą naudodami grandiklį ar panašų įrankį.

 pav. 9 puslapyje 5
Prijungimo kabelių tiesimas

12. Įsitikinkite, kad stogo oro kondicionieriaus duomenų plokštelėje nurodyta įtampa sutampa su jūsų maitinimo šaltinio įtampa. Stogo oro kondicionierius turi būti prijungtas prie elektros grandinės, galinčios tiekti reikiamą srovę (žr. Techniniai duomenys).
13. Įsitikinkite, kad maitinimo tinkle yra liekamosios srovės grandinės pertraukiklis (< 30 mA). Jei jo nėra, sumontuokite liekamosios srovės grandinės pertraukiklį.
14. Montavimo pusėje įrenkite jungiklį, kurio kontaktinis angos plotis būtų ne mažesnis kaip 3 mm.
15. Pasirinkite ilgį atitinkantį maitinimo laido skerspjūvį:
 - Ilgis < 7.5 m: 1,5 mm²
 - Ilgis > 7.5 m: 2,5 mm²
16. Vienoje pusėje padarykite angą maitinimo laidui pravesti.

 pav. 10 puslapyje 5

17. Nuveskite maitinimo laidą per angą į transporto priemonės vidų.

Ant stogo montuojamo prietaiso sumontavimas

18. Sritį po stogo rėmu sandarinkite lanksčiu neketėjančiu butilo sandarinimo mišiniu (pvz., „SikaLastomer-710“, „Selleys Butyl Mastik“, „Bostik ezycaulk“ butilo sandarikliu ar panašiais produktais). Laikykitės sandariklio gamintojo nurodymų.

 pav. 11 puslapyje 6

19. Orientuokite stogo rėmą pagal angos dydį.
20. Įstatykite stogo rėmą į stogo angą.

 pav. 12 puslapyje 6

21. Pakelkite ant stogo montuojamą prietaisą ant transporto priemonės stogo. Laikykitės judėjimo krypties.
22. Įtaisykite ant stogo montuojamą prietaisą į stogo rėmą ir sutapdinkite su stogo rėmo griovelio. Norėdami sulygiuoti stogo rėmo griovelį, naudokite stogo rėmo priekyje esančius kampus.

Elektros jungtis

23. Prijunkite maitinimo laidą.

 pav. 13 puslapyje 7

- a) Prijunkite kabelius (1) prie kabelių jungties (2).
 - b) Prijunkite stogo oro kondicionierių prie maitinimo šaltinio.
 - c) Prijunkite įžeminimo kabelį prie transporto priemonės įžeminimo sistemos.
24. **Taikoma tik mechaniniams modeliams:** Prijunkite kabelį tarp išorinio prietaiso ir oro dėžės difuzoriaus.
 - a) Šiek tiek ištraukite filtrą, kad atsirastų tarpas ryšio kabeliui (3).
 - b) Perkiškite kabelį per tarpą ir įstatykite laidą į angą.
 - c) Prijunkite 6 kontaktų kištuką prie ADB ekrano šone esančio lizdo. Įsitikinkite, kad kabelis yra mažoje angoje, esančioje atokiau nuo filtro zonos.
 - d) Užfiksuokite perteklinį kabelį laikikliuose.
 25. **Taikoma tik fiksuoto greičio ir inverteriniams modeliams:** Prijunkite ryšio kabelį.

- a) Šiek tiek ištraukite filtrą, kad atsirastų tarpas ryšio kabeliui (4).
- b) Perkiškite ryšio kabelį per tarpą ir įstatykite laidą į angą.
- c) Prijunkite 4 kontaktų kištuką prie ADB ekrano šone esančio lizdo. Įsitinkinkite, kad kabelis yra mažoje angoje, esančioje atokiau nuo filtro zonos.
- d) Užfiksuokite perteklinį kabelį laikikliuose.

ADB montavimas

26. Sukraukite kanalų sekcijas vieną ant kitos ir sudėkite ties storą stogo dalimi: įsitinkinkite, kad kanalo aukštis atitinka stogo aukštį, arba kaip orientyrą naudokite lentelę.

 pav. 14 puslapyje 8

Stogo storis	Kanalo sekcijų skaičius
25 ... 35 mm	1
35 ... 45 mm	2
45 ... 55 mm	3
55 ... 60 mm	4



PASTABA Storesniems stogams galima įsigyti papildomų kanalų sekcijų.

27. Ant ADB pritvirtinkite reikiamą kanalų sekcijų skaičių.
28. Pritvirtinkite ADB prie lubų per ant stogo montuojamą prietaisą 4 pridėjimais varžtais. Varžtus priveržkite veržliarakčiu, naudodami $2.5 \text{ Nm} \pm 0.3 \text{ Nm}$ tvirtinimo momentą.

 pav. 15 puslapyje 9

29. Visiškai įstumkite filtrą atgal.

 pav. 16 puslapyje 9

30. Pritvirtinkite centrinį dangtį prie ADB.

 pav. 17 puslapyje 10

31. Pasiteiraukite savo transporto priemonės gamintojo, ar sumontavus stogo oro kondicionierių reikalinga techninė apžiūra ir ar reikia keisti transporto priemonės dokumentuose įrašytą aukštį.

- „FreshJet“ FJX4233, „FreshJet“ FJX4333, „FreshJet“ FJX7333: padidintas aukštis 225 mm
- „FreshJet“ FJX7337: padidintas aukštis 242 mm
- „FreshJet“ FJX7457: padidintas aukštis 283 mm

✓ Montavimas baigtas.

Prijunkite montavimo šaltinį ir patikrinkite, ar stogo oro kondicionierius veikia.

12 Laidų instaliacijos schemas

FJX4233M

 pav. 18 puslapyje 10

FJX4233E, FJX4333E(EH), FJX7333IHP pav. 19 puslapyje 11**FJX7333IHP** pav. 20 puslapyje 11**FJX7337IHP, FJX7457IHP** pav. 21 puslapyje 12**ADB** pav. 22 puslapyje 12

13 Utilizavimas



Jei įmanoma, pakavimo medžiagą sudėkite į atitinkamas perdirbimo šiukšliadėžes. Išsamios informacijos apie tai, kaip gaminį pašalinti pagal galiojančias atliekų šalinimo taisykles, teiraukitės vietiniame perdirbimo centre arba specializuoto prekybos atstovo.



Saugokite gamtą! Neutilizuokite akumuliatorių kartu su bendrosiomis buitinėmis atliekomis. Sugedusius arba panaudotus akumuliatorius grąžinkite savo pardavėjui arba utilizuokite juos surinkimo vietose.

14 Techniniai duomenys

 pav. 23 puslapyje 13  pav. 24 puslapyje 13  pav. 25 puslapyje 13  pav. 26 puslapyje 14

Sudėtyje yra fluorintų šiltnamio efektą sukeliančių dujų. Hermetiškai užsandarinta įranga.

Šiuo dokumentu „Dometic“ pareiškia, kad ši radijo ryšio įranga atitinka Direktyvą 2014/53/ES. Visą ES atitikties deklaracijos tekstą galima rasti šiuo interneto adresu <http://documents.dometic.com>.

	„FreshJet“ FJX4233M
Aušinimo pajėgumas pagal ISO 5151:	1500 W
Kint. sr. įvesties įtampa:	220 V ... 240 V / 50 Hz
Vardinė aušinimo srovė:	3,1 A
Reikiamas saugiklis:	Min. 4 A, maks. 16 A
Darbinės temperatūros diapazonas:	-2 °C ... 52 °C
Aušalas:	R410a
Aušalo kiekis:	380 g
CO ₂ atitikmuo:	0,793 t
Visuotinio atšilimo potencialas (GWP):	2088

	„FreshJet“ FJX4233M		
Apsaugos klasė (ant stogo montuojamas prietaisas):	IPX4		
Triukšmo lygis (aukščiausias ventilatoriaus nustatymas)	< 70 dB(A)		
Dažnis	2,4 GHz		
Maks. radijo dažnio galia	19,14 dBm		
Siūlomas maksimalus transporto priemonės ilgis (su izoliuotomis sienomis):	≤ 5 m		
Matmenys l x P x A:	pav. 23		
Svoris:	< 30 kg		
Patikra / sertifikatas:	CE UK		
	„FreshJet“ FJX4233EEH	„FreshJet“ FJX4333EEH	„FreshJet“ FJX4333E
Aušinimo pajėgumas pagal ISO 5151:	1700 W	2200 W	2200 W
Šildymo pajėgumas pagal ISO 5151:	800 W	1000 W	–
Kint. sr. įvesties įtampa:	220 V ... 240 V / 50 Hz		
Vardinė aušinimo srovė:	3,4 A	4,6 A	4,6 A
Vardinė šildymo srovė:	3,7 A	4,4 A	–
Reikiamas saugiklis:	Min. 4 A, maks. 16 A	Min. 5 A, maks. 16 A	Min. 5 A, maks. 16 A
Darbinės temperatūros diapazonas:	-2 °C ... 52 °C		
Aušalas:	R32		
Aušalo kiekis:	320 g	360 g	360 g
CO ₂ atitikmuo:	0,216 t	0,243 t	0,243 t
Visuotinio atšilimo potencialas (GWP):	675		
Apsaugos klasė (ant stogo montuojamas prietaisas):	IPX4		
Triukšmo lygis (aukščiausias ventilatoriaus nustatymas)	< 70 dB(A)		
Dažnis	2,4 GHz		
Maks. radijo dažnio galia	19,14 dBm		
Siūlomas maksimalus transporto priemonės ilgis (su izoliuotomis sienomis):	≤ 6 m	≤ 7 m	≤ 7 m
Matmenys l x P x A:	pav. 24		
Svoris:	< 30 kg	< 30 kg	< 30 kg

	„FreshJet“ FJX4233EEH	„FreshJet“ FJX4333EEH	„FreshJet“ FJX4333E
Patikra / sertifikatas:	CE UK		
	„FreshJet“ FJX7333IHP	„FreshJet“ FJX7337IHP	„FreshJet“ FJX7457IHP
Aušinimo pajėgumas pagal ISO 5151:	2200 W	3000 W	3500 W
Šildymo pajėgumas pagal ISO 5151:	2000 W	2500 W	3000 W
Kint. sr. įvesties įtampa:	220 V ... 240 V / 50 Hz ... 60 Hz		
Vardinė aušinimo srovė:	< 5,9 A	< 7,3 A	< 7,5 A
Vardinė šildymo srovė:	< 3,7 A	< 5,9 A	< 6,5 A
Reikiamas saugiklis:	Min. 6 A, maks. 16 A	Min. 8 A, maks. 16 A	Min. 8 A, maks. 16 A
Darbinės temperatūros diapazonas:	-2 °C ... 52 °C		
Aušalas:	R32		
Aušalo kiekis:	400 g	480 g	650 g
CO ₂ atitikmuo:	0,270 t	0,324 t	0,439 t
Visuotinio atšilimo potencialas (GWP):	675		
Apsaugos klasė (ant stogo montuojamas prietaisas):	IPX4		
Triukšmo lygis (aukščiausias ventiliatoriaus nustatymas)	< 70 dB(A)		
Dažnis	2,4 GHz		
Maks. radijo dažnio galia	19,14 dBm		
Siūlomas maksimalus transporto priemonės ilgis (su izoliuotomis sienomis):	≤ 7 m	≤ 7 m	> 8 m
Matmenys l x P x A:	pav. 24	pav. 25	pav. 26
Svoris:	< 30 kg	< 35 kg	< 40 kg
Patikra / sertifikatas:	CE UK		

Latviešu

1	Svarīgas piezīmes.....	302
2	Simbolu skaidrojums.....	302
3	Mērķauditorija.....	303
4	Drošības norādes.....	303
5	Komplektācija.....	304
6	Papildu piederumi.....	304
7	Paredzētais izmantošanas mērķis.....	305
8	Modeļu saraksts.....	305
9	Ierīces simbolu skaidrojumi.....	306
10	Tehniskie ierobežojumi un nosacījumi.....	306
11	Uzstādīšana.....	306
12	Vadojuma shēmas.....	310
13	Atkritumu pārstrāde.....	311
14	Tehniskie dati.....	311

1 Svarīgas piezīmes

Lūdzam rūpīgi izlasīt un ņemt vērā visus produkta rokasgrāmatā iekļautos norādījumus, vadlīnijas un brīdinājumus, lai nodrošinātu, ka jūs šo produktu vienmēr uzstādāt, lietojat un apkopjat atbilstoši. Šie norādījumi ir OBLIGĀTI jāsaģlabā kopā ar šo produktu.

Lietojot šo produktu, jūs apstiprināt, ka esat rūpīgi izlasījuši visus norādījumus, vadlīnijas un brīdinājumus, un jūs saprotat un piekrītat ievērot šeit izklāstītos noteikumus un nosacījumus. Jūs piekrītat lietot šo produktu tikai tā paredzētajam mērķim un lietojumam saskaņā ar norādījumiem, vadlīnijām un brīdinājumiem, kas izklāstīti šī produkta rokasgrāmatā, kā arī ievērojot visus piemērojamos normatīvos aktus. Šeit izklāstīto norādījumu un brīdinājumu neizlasīšana un neievērošana var izraisīt traumas sev un citiem, vai radīt bojājumus pašam produktam vai apkārt esošam īpašumam. Informācija šajā produkta rokasgrāmatā, tajā skaitā norādījumi, vadlīnijas, brīdinājumi un saistītā dokumentācija, var tikt mainīta un papildināta. Lai iegūtu jaunāko informāciju par produktu, apmeklējiet vietni documents.dometic.com.

2 Simbolu skaidrojums



BĪSTAMI!

Apzīmē bīstamu situāciju, kas izraisīs nāvējošus vai nopietnus savainojumus, ja netiks novērsta.



BRĪDINĀJUMS!

Apzīmē bīstamu situāciju, kas var izraisīt nāvējošus vai nopietnus savainojumus, ja netiks novērsta.



ESIET PIESARDZĪGI!

Apzīmē bīstamu situāciju, kas var izraisīt vieglus vai vidēji smagus savainojumus, ja netiks novērsta.



ŅEMIET VĒRĀ!

Apzīmē bīstamu situāciju, kas var izraisīt materiālu kaitējumu, ja netiks novērsta.



PIEZĪME Papildu informācija produkta lietošanai.

3 Mērķauditorija



Elektrības pieslēgums ir jāpievieno kvalificētam elektriķim, kuram ir pārbaudītas prasmes un zināšanas par elektroaprīkojuma un instalāciju uzbūvi un lietošanu un kurš ir apguvis drošības instruktažu iespējamo risku noteikšanai un novēršanai.



Mehānisko uzstādīšanu jāveic kvalificētam darbiniekam, kurš pārzina aprīkojuma konstrukciju un darbību, kā arī iespējamus riskus.

4 Drošības norādes



BRĪDINĀJUMS! Šo brīdinājumu neievērošana var izraisīt nāvējošas vai smagas traumas.

- Ierīces remontu drīkst veikt tikai kvalificēti darbinieki, kuri pārzina iespējamus riskus un spēkā esošos noteikumus. Nepareizi veikts remonts var radīt nopietnus apdraudējumus. Lai veiktu remontu, sazinieties ar vietējo servisa centru (skatīt dometic.com/dealer).
- Iekārta jāuzstāda saskaņā ar valstī spēkā esošajiem noteikumiem, kas attiecas uz elektriskām un mehāniskām instalācijām.
- **Elektroierīces nav rotaļlietas!** Glabājiet elektroierīces bērniem vai nespējīgām personām nepieejamā vietā. Neļaujiet izmantot elektroierīces bez uzraudzības.
- Personas ar ierobežotām fiziskām, uztveres vai garīgām spējām vai bez pieredzes un zināšanām, kas ļauj droši lietot šo ierīci, drīkst lietot ierīci tikai tad, ja šādas personas tiek uzraudzītas vai ir saņēmušas norādījumus par ierīces drošu lietošanu.
- Ugunsgrēka gadījumā **neatveriet** ierīces augšējo pārsegu. Izmantojiet apstiprinātus ugunsdzēsības līdzekļus. Uguns dzēšanai neizmantojiet ūdeni.
- Ierīce jāuzglabā telpā, kurā nav pastāvīgu atklātas liesmas avotu (piemēram, ieslēgta gāzes plīts) un aizdegšanās avotu (piemēram, ieslēgts elektriskais sildītājs).
- Ierīce jāuzglabā horizontāli sausā, ventilētā un aizklātā vietā.
- Necaurduriet un nededziniet ierīci.
- Ņemiet vērā, ka aukstumaģenti var būt bez smaržas.
- Jumta gaisa kondicionētāju jāuzstāda transportlīdzeklī, kura grīdas platība ir vismaz 4 m².



ESIET PIESARDZĪGĪ! Šo brīdinājumu neievērošana var izraisīt vieglas vai vidēji smagas traumas.

- Lietojiet ierīci tikai tad, ja esat pilnīgi droši, ka tās korpuss un vadi nav bojāti.
- Neizmantojiet ierīci uzliesmojošu šķidrumu tuvumā vai slēgtās telpās.
- Nodrošiniet, lai gaisa izplūdes atveru tuvumā neatrastos un nebūtu uzstādīti uzliesmojoši priekšmeti. Ir jāievēro vismaz 50 cm attālums.
- Nesniedzieties ierīces gaisa izplūdes atverēs, kā arī neievietojiet tur svešķermeņus.
- Vienmēr izmantojiet aizsargbrilles un aizsargcimdus.



ŅEMĪET VĒRĀ! Bojājumu risks

- Ierīces optimālais darbības spiediens ir 1020 mbar.
- Ierīce jāuzglabā tā, lai tiktu novērsta mehānisku bojājumu rašanās.
- Pirms ierīces uzstādīšanas pārbaudiet, vai, uzstādot ierīci, netiks bojāti transportlīdzekļa komponenti (piemēram, apgaismes ierīces, skapiši, durvis). Transportlīdzekļa ražotājs jau var būt paredzējis vietas, kurās iespējams izveidot atveri ierīces uzstādīšanai bez riska mazināt konstrukcijas stiprību vai pārgriezt elektrības vadus.
- Pirms uzstādīšanas konsultējieties ar transportlīdzekļa ražotāju, vai konstrukcija ir paredzēta jumta gaisa kondicionētāja statiskajam svaram un slodzēm, kad transportlīdzeklis ir kustībā.
- Nodrošiniet, ka jumtam rāmis ir atbilstoši piestiprināts jumtam.
- Uzstādīšanai izvēlieties līdzenu un pietiekami taisnu vietu transportlīdzekļa jumta vidū starp diviem garenvirziena posmiem.
- Jumta slīpums uzstādīšanas vietā nedrīkst pārsniegt 10 °.
- Nodrošiniet, ka transportlīdzeklī nav priekšmetu, kas bloķētu gaisa izkļiedes kastes palīgierīci vai atdzesētā gaisa plūsmu caur grozāmajiem gaisa izkļiedes uzgaļiem.
- Neveiciet izmaiņas ierīces konstrukcijā un nepārveidojiet to.
- Nekad neizmantojiet automātiskās automazgātavas, ja ierīce ir uzstādīta.
- Ja aukstumaģenta sistēmā rodas bojājumi, tās pārbaudi un remontu nepieciešams veikt specializētā uzņēmumā.
- Aukstumaģentu nekādā gadījumā nedrīkst izlaist atmosfērā.
- Noskaidrojiet pie sava transportlīdzekļa ražotāja, vai pēc jumta gaisa kondicionētāja uzstādīšanas nepieciešams mainīt jūsu transportlīdzekļa dokumentācijā norādīto augstumu.

5 Komplektācija

att. 1 lpp. 3 att. 2 lpp. 3

Nr. att. 1, att. 2	Daudzums	Apraksts
1	1	Uz jumta uzstādāmā iekārta
2	1	Jumta rāmis
3	1	Gaisa izkļiedes kaste (ADB)
4	1	ADB centrālais vāks
5	4	Izplūdes kanāla posmi
6	3	Vadu savienojumi
7	4	Stiprināšanas skrūves
8	1	Kastes vāks
9	1	Tikai dažiem modeļiem: Tālvadības pults

6 Papildu piederumi

Detāļas, kas pieejamas kā papildu piederumi (nav iekļautas piegādes komplektācijā)

Apraksts	Atsauces nr.
Izplūdes kanāla papildposmi (katrs posms nodrošina papildu 10 mm)	4450017931
Garās M6 x 160 mm stiprināšanas skrūves (60 ... 120 mm biežiem jumtiem)	4450012023
Gaisa attīrītājs	4450029486
Elektriskais sildītājs	4450029487
ADB apgaismojums	4450029488
FreshJet FJX4233M filtri	4450024007 4450024008
FreshJet FJX4233EEH/FJX4333E(EH)/FJX7333IHP/FJX7337IHP/FJX7457IHP filtri	4450025683

7 Paredzētais izmantošanas mērķis

Šis jumta gaisa kondicionētājs ir paredzēts uzstādīšanai uz dzīvojamo autopiekabju vai atpūtas transportlīdzekļu jumta, lai nodrošinātu dzesēšanu un sildīšanu.

Jumta gaisa kondicionētājs **nav** piemērots vilcieniem, mājām un dzīvokļiem. Jumta gaisa kondicionētājs **nav** piemērots uzstādīšanai būvniecības, lauksaimniecības vai līdzīgā tehnikā.

Šis produkts ir piemērots tikai paredzētajam mērķim un lietojumam saskaņā ar šo instrukciju.

Šajā rokasgrāmatā ir sniegta informācija, kas nepieciešama pareizai produkta uzstādīšanai un/vai lietošanai. Nekvalitatīva uzstādīšana un/vai nepareiza lietošana vai apkope izraisīs neatbilstošu darbību un iespējamus bojājumus.

Ražotājs neuzņemas atbildību par savainojumiem vai produkta bojājumiem, kas radušies šādu iemeslu dēļ:

- nepareiza uzstādīšana, montāža vai pievienošana, tostarp pārmērīgs spriegums;
- nepareiza apkope vai tādu neoriģinālo rezerves daļu, kuras nav piegādājis ražotājs, lietošana;
- produkta modifikācijas, kuras ražotājs nav nepārprotami apstiprinājis;
- lietošana citiem mērķiem, kas nav aprakstīti šajā rokasgrāmatā.

Dometic patur tiesības mainīt produkta ārējo izskatu un specifiskāciju.

8 Modeļu saraksts

Modeļus iedala mehāniskajos, fiksēta ātruma un invertora modeļos.

Tabulā redzams, kura funkcija pieejama attiecīgajam modelim.

- Funkcija ir pieejama
- Funkciju iespējams iegūt atsevišķi

	FJX4233M	FJX4233EEH	FJX4333EEH	FJX4333E	FJX7333IHP	FJX7337IHP	FJX7457IHP
	Mehāniskis	Fiksēts ātrums			Invertors		
Automātisks		●	●	●	●	●	●
Dzesēšana	●	●	●	●	●	●	●
Sildīšana		●	●	○	●	●	●
Ventilēšana	●	●	●	●	●	●	●
Sausināšana		●	●	●	●	●	●
Gaisa attīrītājs	○	●	●	○	●	●	●
ADB apgais- mojums		●	●	○	●	●	●
Ārējais ap- gaismojums					●	●	●
Taimeris		●	●	●	●	●	●
Miegs		●	●	●	●	●	●
Soft Start			●	○	●	●	●

9 Ierīces simbolu skaidrojumi


A2L

Brīdinājums! Materiāls ar zemu degšanas ātrumu.



Skatiet lietošanas rokasgrāmatu.



Skatiet servisa rokasgrāmatu.

10 Tehniskie ierobežojumi un nosacījumi

Jumta gaisa kondicionētājs ir paredzēts transportlīdzekļiem ar 25 mm ... 60 mm jumta biezumu. Jumta gaisa kondicionētājs darbosies -2 °C ... 52 °C temperatūras diapazonā. Jumta gaisa kondicionētājs jāuzstāda tā, lai tas atrastos ± 10 ° robežās no horizontālās plaknes.

11 Uzstādīšana



BĪSTAMI! Nāvējoša elektrošoka risks

- Elektrības pieslēgums atpūtas transportlīdzeklī ir jāpievieno kvalificētam elektriķim, kuram ir pārbaudītas prasmes un zināšanas par elektroaprīkojuma un instalāciju uzbūvi un lietošanu un kurš ir apguvis drošības instruktažu iespējamo risku noteikšanai un novēršanai.

- Veicot darbu pie jumta gaisa kondicionētāja, atvienojiet visus barošanas avotus, tajā skaitā strāvas pārveidotājus.
- Nodrošiniet, ka ierīces barošanas avots uzstādīšanas vai apkopes laikā nevar tikt pievienots.



BRĪDINĀJUMS! Nāvējoša elektrošoka risks

- Iekārta jāuzstāda saskaņā ar valsti spēkā esošajiem noteikumiem, kas attiecas uz elektroinstalācijām.
- Fiksētājā elektroinstalācijā nepieciešams iekļaut tālāk norādīto. Visu polu atslēgšanas ierīce, kurai starp poliem ir vismaz 3 mm attālums; ja noplūdstrāvas daudzums var pārsniegt 10 mA, jāuzstāda noplūdstrāvas aizsargierīce (RCS), kuras nominālā darba noplūdstrāva nepārsniedz 30 mA; atdalītājs.
- Ja iekārta aizstāj logu vai lūku, kam bijusi ar drošību saistīta piespiedu ventilācijas funkcija, nepieciešams uzstādīt papildu ventilēšanas ierīci (piemēram, izplūdes ventilatoru). Šaubu gadījumā sazinieties ar transportlīdzekļa ražotāju.
- Pēc jumta gaisa kondicionētāja uzstādīšanas tā tuvumā nepieciešams ierīkot izplūdes skursteni, kas ir vismaz 10 cm augstāks par jumta gaisa kondicionētāju. Ja nepieciešams, pagariniet izplūdes skursteni. Ievērojiet apsildes iekārtas ražotāja instrukcijas.



ESIET PIESARDZĪGI! Traumu risks

- Nepareiza jumta gaisa kondicionētāja uzstādīšana var izraisīt neatgriezeniskus ierīces bojājumus un apdraudēt lietotāju.
- Vienmēr lūdziet kādam palīdzību, pārvietojot vai ceļot jumta gaisa kondicionētāju.
- Pirms ierīces uzstādīšanas ievērojiet uzstādīšanas zonā esošās elektroinstalācijas, vadu un citu komponentu atrašanās vietu, it īpaši ja tie nav redzami, uzstādot ierīci (urbjot, skrūvējot u.tml.).
- Pievienojiet un novietojiet vadus tā, lai aiz tiem nevarētu pakļupt un nevarētu tos sabojāt.
- Vienmēr izmantojiet aizsargbrilles un aizsargcimdus.



NEMIET VĒRĀ! Bojājumu risks

- Iekārta ir hermētiska sistēma ar slēgtu aukstumaģenta kontūru. Ja neesat kvalificēts tehniķis, neatveriet ierīci un neveiciet manipulācijas.
- Vadu izvilkšanai cauri sienām ar asām malām izmantojiet kabeļu kanālus.
- Nenovietojiet nenostiprinātus vai saliektus vadus elektrību vadošu materiālu (metāla) tuvumā.
- Nevelciet aiz vadiem.
- Pārbaudiet, vai vadi netiks pakļauti nodilumam, korozijai, pārmērīgam spiedienam, vibrācijām, asām malām vai citiem nelabvēlīgiem ārējās vides faktoriem. Veicot pārbaudi, jāņem vērā arī novecošanas vai, piemēram, kompresoru vai ventilatoru pastāvīgo vibrāciju ietekme.
- Pārbaudiet transportlīdzekļa jumta konstrukcijas stiprību. Transportlīdzekļa jumtam jāspēj izturēt jumta gaisa kondicionētāja svaru neielokoties un nedeformējoties. Šaubu gadījumā sazinieties ar transportlīdzekļa ražotāju.



PIEZĪME

- Jūs atradīsiet iekārtas specifiku sadaļā Tehniskie dati un uz tālāk norādītajām datu plāksnītēm.
- Uz jumta uzstādāmās iekārtas datu plāksnīti att. **3**
- ADB datu plāksnīti att. **4**



Papildu informāciju par jumta gaisa kondicionētājiem, piemēram, tehnisko aprakstu vai vadības informāciju, meklējiet lietošanas rokasgrāmatā. Skatiet qr.dometic.com/bdjin0x.



att. 3 lpp. 4 att. 4 lpp. 4

- Izvēlieties veidu, kādā uzstādīt jumta gaisa kondicionētāju.
 - Jaunas atveres izveidošana. Šajā gadījumā atvere jāpastiprina ar atbilstošu rāmi.
 - Transportlīdzeklī esošas atveres, piemēram, jumta lūkas izmantošana, vai vecā gaisa kondicionētāja nomaiņa.
 - Ņemiet vēl tālāk norādītos attālumus.

Modelis	Objekta augstums < 60 mm	Objekta augstums > 60 mm			
	Visas 4 puses	Labā	Kreisā *	Aizmugure *	Priekšpuse
FJX4333EEH	50 mm	150 mm	150 mm	150 mm	150 mm
FJX7333IHP	50 mm	150 mm	150 mm	150 mm	150 mm
FJX7337IHP	50 mm	300 mm	150 mm	150 mm	150 mm
FJX7457IHP	50 mm	300 mm	150 mm	150 mm	150 mm

* Šajā kontekstā "kreisā" un "labā" puse jāuztver, skatoties uz iekārtu no transportlīdzekļa priekšpusē.

- Ņemiet vēl tālāk norādītos attālumus.

* Šajā kontekstā "kreisā" un "labā" puse jāuztver, skatoties uz iekārtu no transportlīdzekļa priekšpusē.

Jaunas atveres izveidošana

- Izvēlieties vietu transportlīdzekļa jumta vidū starp diviem garenvirziena balstiem.
- Atzīmējiet atveres pozīciju un izmēru (400 × 400 mm).

att. 5 lpp. 4

- Veiciet urbumus stūros (A).



NEMIET VĒRĀ! Bojājumu risks

Pārliecinieties, ka nav bojāti elektrības vadi. Ņemiet vērā elektrības vadu atrašanās vietu.

att. 6 lpp. 5

- Uzmanīgi izgrieziet atveri jumtā, izmantojot figūrzāģi vai līdzīgu instrumentu (B).
- Pārbaudiet, vai jumta atverei nepieciešama pastiprināšana.
- Nepieciešamības gadījumā izņemiet izolējošo materiālu atbilstoši pastiprinošo stieņu (nav iekļauti piegādes komplektācijā) platumam (A).

att. 7 lpp. 5

- Uzstādiet pastiprinošos stieņus (B).

Uzstādīšana esošā atverē

- Esošai jumta lūkai vai gaisa kondicionētājam izņemiet visas skrūves un stiprinājumus.

 **att. 8 Ipp. 5**

10. Izņemiet jumta lūku vai jumta gaisa kondicionētāju.
11. Noņemiet ap atveri esošo hermētiķi ar skrāpi vai līdzīgu instrumentu.

 **att. 9 Ipp. 5****Savienojuma vadu izvietošana**

12. Pārlicinieties, ka elektroenerģijas avota spriegums atbilst jumta gaisa kondicionētāja datu plāksnītē norādītajam. Jumta gaisa kondicionētāju nepieciešams pievienot elektriskajai ķēdei, kas spēj nodrošināt nepieciešamo strāvas daudzumu (skatīt Tehniskie dati).
13. Nodrošiniet, ka barošanas avots ir aprīkots ar noplūdstrāvas aizsargslēdzi (< 30 mA). Uzstādiet noplūdstrāvas aizsargslēdzi, ja tāds nav uzstādīts.
14. Uzstādiet visu polu atslēgšanas slēdzi ar vismaz 3 mm kontakta atvēršanas platumu uzstādīšanas pusē.
15. Nosakiet nepieciešamo elektrības vada šķērsriezumu attiecībā pret vada garumu.
 - Garums < 7.5 m: 1,5 mm²
 - Garums > 7.5 m: 2,5 mm²
16. Izveidojiet atveri vienā pusē, lai caur to varētu izvilkt strāvas padeves vadu.

 **att. 10 Ipp. 5**

17. Ievelciet elektrības vadu transportlīdzekļa salonā cauri atverei.

Jumta iekārtas uzstādīšana

18. Aizpildiet jumta rāmja perimetra apakšējo daļu ar elastīgu, nesacietējošu butila hermētiķi (piemēram, SikaLastomer-710, Selleys Butyl Mastic, Bostik Ezycaulk vai līdzīgu produktu). Skatiet hermētiķa ražotāja instrukcijas.

 **att. 11 Ipp. 6**

19. Novietojiet jumta rāmi, ņemot vērā atveres izmēru.
20. Ievietojiet jumta rāmi jumta atverē.

 **att. 12 Ipp. 6**

21. Uzceliet jumta gaisa kondicionētāju uz transportlīdzekļa jumta. Ievērojiet uzstādīšanas virzienu.
22. Ievietojiet gaisa kondicionētāju jumta rāmi un centrējiet to jumta rāmja gropē. Lai centrētu jumta rāmja gropē, izmantojiet stūrus jumta rāmja priekšpusē.

Elektriskais pieslēgums

23. Pievienojiet barošanas avota vadu.

 **att. 13 Ipp. 7**

- a) Pievienojiet vadus (1) vadu savienojumam (2).
 - b) Pievienojiet jumta gaisa kondicionētāju barošanas avotam.
 - c) Pievienojiet zemējuma vadu transportlīdzekļa zemējumietasei.
24. **Tikai mehāniskajiem modeļiem.** Pievienojiet vadu starp ārējo iekārtu un gaisa difuzora kasti.
 - a) Nedaudz pavelciet uz āru filtru, lai izveidotu spraugu sakaru vadam (3).
 - b) Izvelciet vadu cauri spraugai un ievietojiet to atverē.
 - c) Pievienojiet seškontakta sakaru spraudni ADB ekrāna sānā esošajai kontaktlīdzīdai. Nodrošiniet, ka vads atrodas nelielajā atverē nost no filtra zonas.
 - d) Nostipriniet pārējo vada daļu turētājos.
 25. **Tikai fiksēta ātruma un invertora modeļiem.** Pievienojiet sakaru vadu.
 - a) Nedaudz pavelciet uz āru filtru, lai izveidotu spraugu sakaru vadam (4).

- b) Izvelciet sakaru vadu cauri spraugai un ievietojiet to atverē.
- c) Pievienojiet četrkontakta sakaru spraudni ADB ekrāna sānā esošajai kontaktlīdzdai. Nodrošiniet, ka vads atrodas nelielajā atverē nost no filtra zonas.
- d) Nostipriniet pārējo vada daļu turētājos.

ADB uzstādīšana

26. Savienojiet gaisa kanāla posmus un nomēriet tos pret jumta biežumu. Nodrošiniet, ka kanāla augstums atbilst jumta biežumam, vai arī izmantojiet tabulu.

 **att. 14 lpp. 8**

Jumta biežums	Izplūdes kanāla posmu skaits
25 ... 35 mm	1
35 ... 45 mm	2
45 ... 55 mm	3
55 ... 60 mm	4



PIEZĪME Biezākiem jumtiem iespējams iegādāties papildu izplūdes kanāla posmus.

- 27. Pievienojiet ADB nepieciešamo izplūdes kanāla posmu skaitu.
- 28. Piestipriniet ADB pie griestiem caur jumta gaisa kondicionētāju ar 4 komplektā esošajām skrūvēm. Pievelciet skrūves ar 2.5 Nm ± 0.3 Nm griezes momentu, izmantojot momentatslēgu.

 **att. 15 lpp. 9**

29. Iestumiet filtru pilnībā atpakaļ.

 **att. 16 lpp. 9**

30. Nofiksējiet ADB centrālo vāku.

 **att. 17 lpp. 10**

31. Noskaidrojiet pie sava transportlīdzekļa ražotāja, vai pēc jumta gaisa kondicionētāja uzstādīšanas nepieciešama tehniskā apskate un, vai nepieciešams mainīt jūsu transportlīdzekļa dokumentācijā norādīto augstumu.

- FreshJet FJX4233, FreshJet FJX4333, FreshJet FJX7333: 225 mm paaugstinājums
- FreshJet FJX7337: 242 mm paaugstinājums
- FreshJet FJX7457: 283 mm paaugstinājums

✓ Uzstādīšana ir pabeigta.

Pievienojiet barošanas avotu un pārbaudiet, vai jumta gaisa kondicionētājs darbojas.

12 Vadojuma shēmas

FJX4233M

 **att. 18 lpp. 10**

FJX4233E, FJX4333E(EH), FJX7333IHP

 **att. 19 lpp. 11**

FJX7333IHP att. 20 lpp. 11**FJX7337IHP, FJX7457IHP** att. 21 lpp. 12**ADB** att. 22 lpp. 12

13 Atkritumu pārstrāde



Ja iespējams, iepakojuma materiālus izmetiet atbilstošos atkritumu šķirošanas konteineros. Informāciju par produkta utilizāciju, ievērojot spēkā esošos atkritumu apsaimniekošanas noteikumus, konsultējieties ar vietējo atkritumu pārstrādes centru vai specializēto izplatītāju.



Sargiet apkārtējo vidi! Neizmetiet akumulatorus kopā ar sadzīves atkritumiem. Atgrieziet bojātus vai lietotus akumulatorus tirgotājam, vai utilizējiet tos akumulatoru savākšanas punktos.

14 Tehniskie dati

 att. 23 lpp. 13  att. 24 lpp. 13  att. 25 lpp. 13  att. 26 lpp. 14

Satur fluorētas siltumnicefeka gāzes. Hermētisks aprīkojums.

Ar šo Dometic apliecina, ka šī radioiekārta atbilst direktīvas 2014/53/ES prasībām. Pilns ES atbilstības deklarācijas teksts ir pieejams vietnē <http://documents.dometic.com>.

	FreshJet FJX4233M
Dzesēšanas jauda pēc ISO 5151:	1500 W
Mainstrāvas ieejas spriegums:	220 V ... 240 V / 50 Hz
Nominālā strāva (dzesēšana):	3,1 A
Nepieciešamais drošinātājs:	Min. 4 A, maks. 16 A
Darba temperatūras diapazons:	-2 °C ... 52 °C
Aukstumaģents	R410a
Aukstumaģenta daudzums:	380 g
CO ₂ ekvivalents:	0,793 t
Globālās sasilšanas potenciāls (GWP):	2088
Aizsardzības klases (jumta iekārta):	IPX4
Trokšņa līmenis (augstākais ventilatora intensitātes līmenis)	< 70 dB(A)
Frekvence	2,4 GHz

	FreshJet FJX4233M
Maksimālais radiofrekvences stiprums	19,14 dBm
Maksimālais ieteicamais transportlīdzekļa garums (ar izolētām sienām):	≤ 5 m
Izmēri gar. x plat. x augst.:	att. 23
Svars:	< 30 kg
Pārbaude/sertifikācija:	CE UK

	FreshJet FJX4233EEH	FreshJet FJX4333EEH	FreshJet FJX4333E
Dzesēšanas jauda pēc ISO 5151:	1700 W	2200 W	2200 W
Sildīšanas jauda pēc ISO 5151:	800 W	1000 W	-
Mainstrāvas ieejas spriegums:	220 V ... 240 V / 50 Hz		
Nominālā dzesēšanas strāva:	3,4 A	4,6 A	4,6 A
Nominālā sildīšanas strāva:	3,7 A	4,4 A	-
Nepieciešamais drošinātājs:	Min. 4 A, maks. 16 A	Min. 5 A, maks. 16 A	Min. 5 A, maks. 16 A
Darba temperatūras diapazons:	-2 °C ... 52 °C		
Aukstumaģents	R32		
Aukstumaģenta daudzums:	320 g	360 g	360 g
CO ₂ ekvivalents:	0,216 t	0,243 t	0,243 t
Globālās sasilšanas potenciāls (GWP):	675		
Aizsardzības klases (jumta iekārta):	IPX4		
Trokšņa līmenis (augstākais ventilatora intensitātes līmenis)	< 70 dB(A)		
Frekvence	2,4 GHz		
Maksimālais radiofrekvences stiprums	19,14 dBm		
Maksimālais ieteicamais transportlīdzekļa garums (ar izolētām sienām):	≤ 6 m	≤ 7 m	≤ 7 m
Izmēri gar. x plat. x augst.:	att. 24		
Svars:	< 30 kg	< 30 kg	< 30 kg
Pārbaude/sertifikācija:	CE UK		

	FreshJet FJX7333IHP	FreshJet FJX7337IHP	FreshJet FJX7457IHP
Dzesēšanas jauda pēc ISO 5151:	2200 W	3000 W	3500 W

	FreshJet FJX7333IHP	FreshJet FJX7337IHP	FreshJet FJX7457IHP
Sildīšanas jauda pēc ISO 5151:	2000 W	2500 W	3000 W
Maiņstrāvas ieejas spriegums:	220 V ... 240 V / 50 Hz ... 60 Hz		
Nominālā strāva (dzesēšana):	< 5,9 A	< 7,3 A	< 7,5 A
Nominālā strāva (sildīšana):	< 3,7 A	< 5,9 A	< 6,5 A
Nepieciešamais drošinātājs:	Min. 6 A, maks. 16 A	Min. 8 A, maks. 16 A	Min. 8 A, maks. 16 A
Darba temperatūras diapazons:	-2 °C ... 52 °C		
Aukstumaģents	R32		
Aukstumaģenta daudzums:	400 g	480 g	650 g
CO ₂ ekvivalents:	0,270 t	0,324 t	0,439 t
Globālās sasilšanas potenciāls (GWP):	675		
Aizsardzības klases (jumta iekārta):	IPX4		
Trokšņa līmenis (augstākais ventilatora intensitātes līmenis)	< 70 dB(A)		
Frekvence	2,4 GHz		
Maksimālais radiofrekvences stiprums	19,14 dBm		
Maksimālais ieteicamais transportlīdzekļa garums (ar izolētām sienām):	≤ 7 m	≤ 7 m	> 8 m
Izmēri gar. x plat. x augst.:	att. 24	att. 25	att. 26
Svars:	< 30 kg	< 35 kg	< 40 kg
Pārbaude/sertifikācija:	CE UK		



dometic.com

YOUR LOCAL DEALER

dometic.com/dealer

YOUR LOCAL SUPPORT

dometic.com/contact

YOUR LOCAL SALES OFFICE

dometic.com/sales-offices
